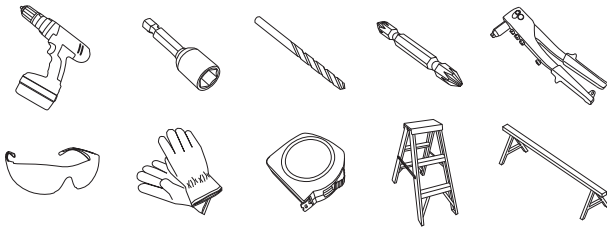


TOOLS REQUIRED



COMPONENTS

	WALL CHANNEL & DOOR FRAME 4 x 700mm [side wall] 4 x 1400mm [back & front wall] 2 x 1840mm [door frame vertical] 2 x 750mm [door frame horizontal] 1 x 760mm [door channel shroud]
	DOOR MOUNT JAMB 2 x 1900mm [front wall]
	DOOR FRAME BRACING 1 x 750mm [door center] 2 x 1145mm [door cross]
	DOOR LOCK MOUNT PLATE x1
	BARGE FLASHING-LEFT & RIGHT x2 BARGE FLASHING-FRONT & BACK x2
	BUTT HINGE x2
	PAD BOLT, LATCH, LATCH SPACER x1
	STANDARD CORNER SHEET 3 x 1900mm
	SPLIT FRONT CORNER SHEET 1 x 1900mm
	STANDARD WALL SHEET 1 x 1900mm
	ROOF SHEET 1 x 1500mm
	DOOR SHEET 1 x 1840mm
	CORNER BRACKET x8
	10x16mm WAFER-HEAD SELF-DRILLING SCREW x20
	10x16mm HEX-HEAD SELF-DRILLING SCREW x90
	3.2mm RIVET x12
	4.8mm RIVET x12

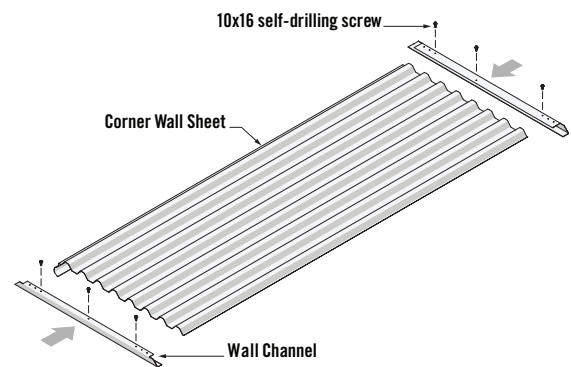
BEFORE YOU START

To ensure the installation and erection of your Stratco Handi-Saver Shed proceeds smoothly, you should confirm that all the components and materials listed in this installation guide have been supplied.

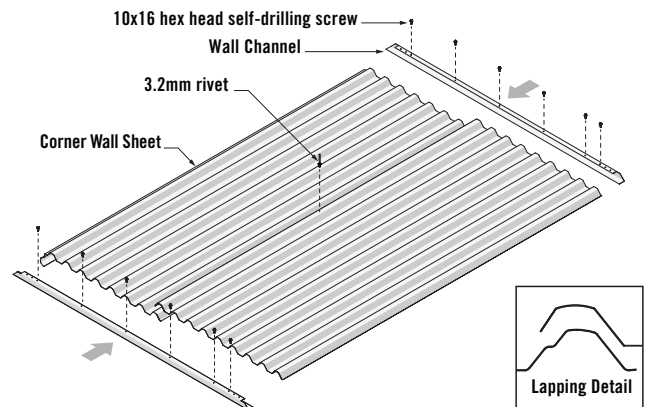
Carefully read this installation guide to familiarise yourself with all the steps involved and ensure that you have the correct tools and equipment for the job.

WALL ASSEMBLY

Fix the two side wall channels to the side wall sheet using 10x16 hex-head self-drilling screws through the pilot holes and into the crests of the sheet. Screws must be driven into the center of each crest.



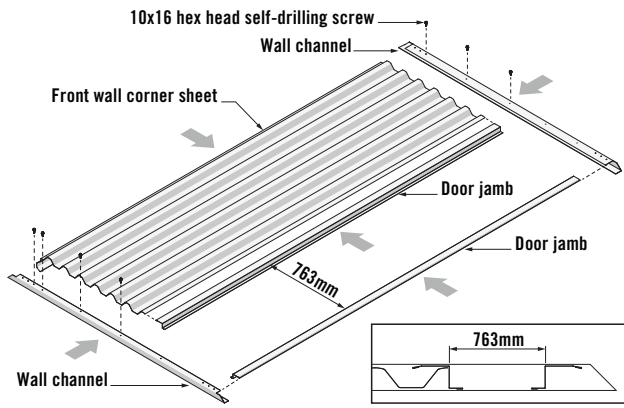
Repeat this process for the remaining side wall and back wall. Rivet the two back wall sheets together using a 3.2mm rivet through the center of lapping crests.



Fit the wall channels over the door jambs and front wall sheet. Align the outer jamb to the outside edge of the wall channels. Fit the inner jamb up against the corner sheet. Fasten the wall channels to the front wall corner sheet and inner door jamb using 10x16 hex-head self-drilling screws. Leave a 763mm gap between the two jambs to allow for the door assembly.

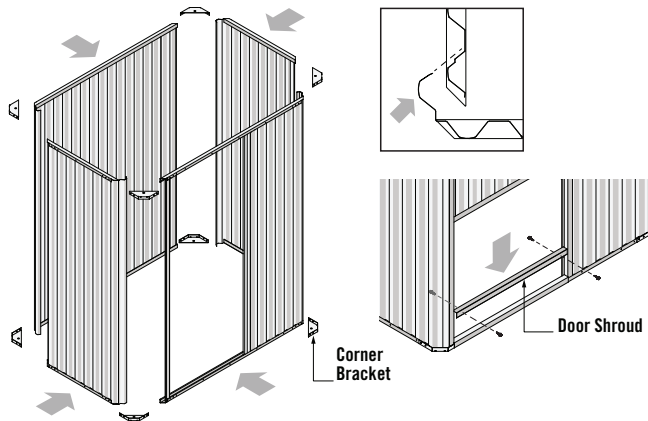
STRATCO HANDI-SAVER

INSTALLATION GUIDE: STRATCO HANDI-SAVER GARDEN SHED



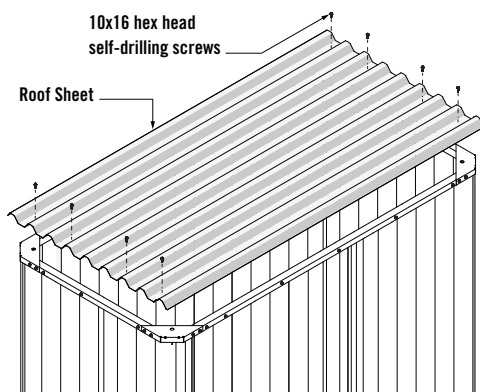
SHED ERECTION

Stand the rear and right side wall panels upright. Fit the corner lap of the side wall over the rear wall. Fix corner brackets through the pilot holes in the top and bottom wall channels using four 10x16 hex-head self-drilling screws per bracket. Complete this process for all remaining wall panels. Place the door shroud over the bottom wall channel and fix in place using four 10x16 hex-head self-drilling screws.

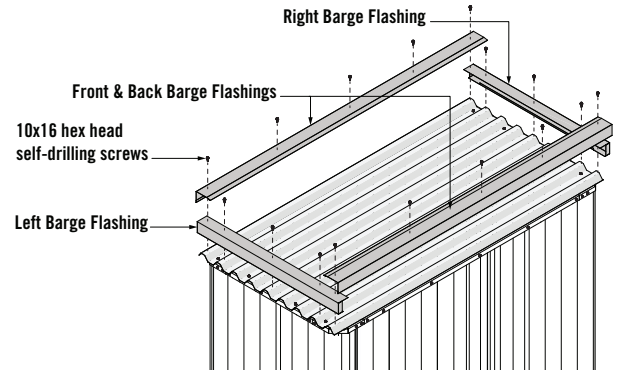


ROOF ASSEMBLY

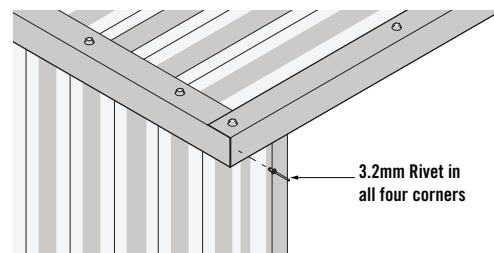
Lay the roof sheet atop the wall channels. Ensure both sides of the sheet overhang the side walls evenly. Fix the roof sheet to the side wall channels using 10x16 hex-head self-drilling screws through every second pan of the roof sheet.



Fasten left & right side barge flashings to the roof sheet through roof sheet crests. Fasten the front & back barge flashings through the side flashings and into the roof sheet crests. Ensure outside faces of barge flashings are vertical.



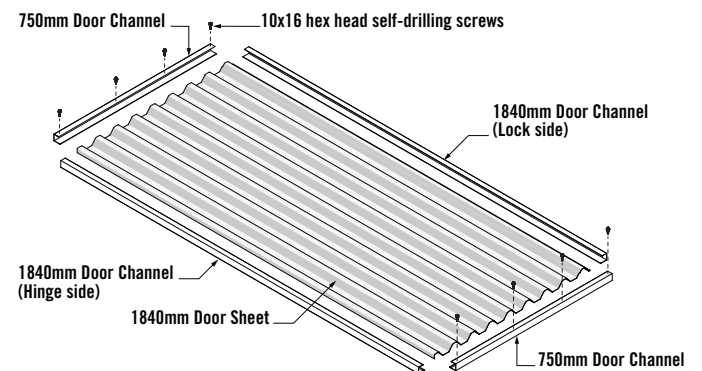
Use a 3.2mm rivet in all four corners to fasten the front and back flashings to the left and right flashings



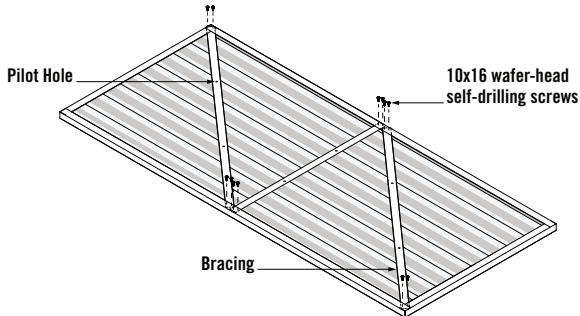
DOOR ASSEMBLY

Fit the door channels onto the door sheet. Fasten channels to the sheet using 10x16 hex-head self-drilling screws through every second crest. Ensure the door frame is square before fastening.

Note: the door can open from the middle or end of the shed depending on preference. If installing the door where the door opens from the middle, fit the hinges and padbolt on the opposite side to that shown.

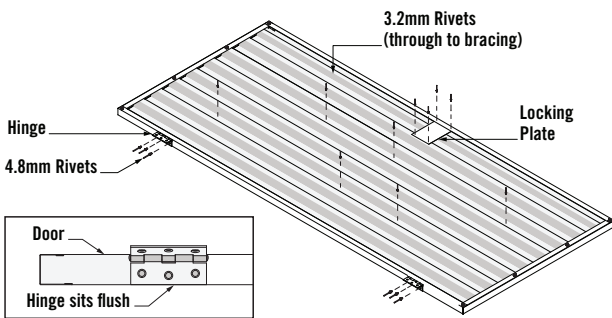


Turn the door over so that the underside is facing up. Fix the three bracing slats to the door channels using two 10x16 wafer-head self-drilling screws in each end. Drill two 3.5mm rivet pilot holes through each bracing slat and into the sheet.



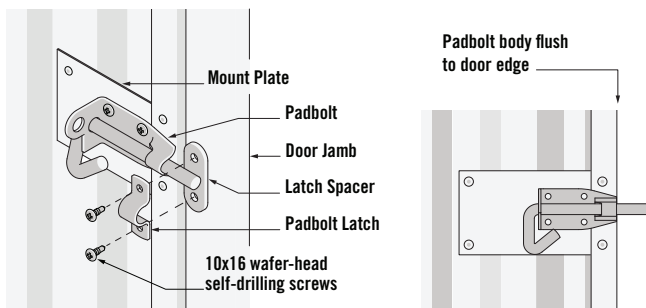
Turn the door over and secure the bracing slats to the pan of the door sheet with 3.2mm rivets through the drilled holes. Fix the two door hinges to one side of the door frame using 4.8mm rivets. Ensure the hinge edge sits flush to the door edge as per below.

Fit the lock mount plate to the other end of the door using 3.2mm rivets through the frame and into the door sheet.



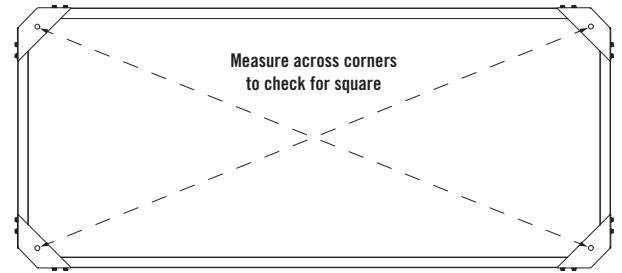
Hang the door with at least a 5mm gap between the door and the bottom wall channel. Rivet the door hinges to the door jamb using 4.8mm rivets.

Install the padbolt on the mount plate using 10x16 wafer-head screws. Ensure the padbolt body sits flush to the door edge. Fasten the padbolt latch and latch spacer to the door jamb using 10x16 wafer-head screws.

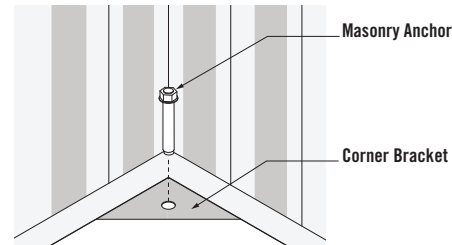


SECURING THE SHED

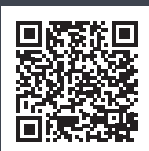
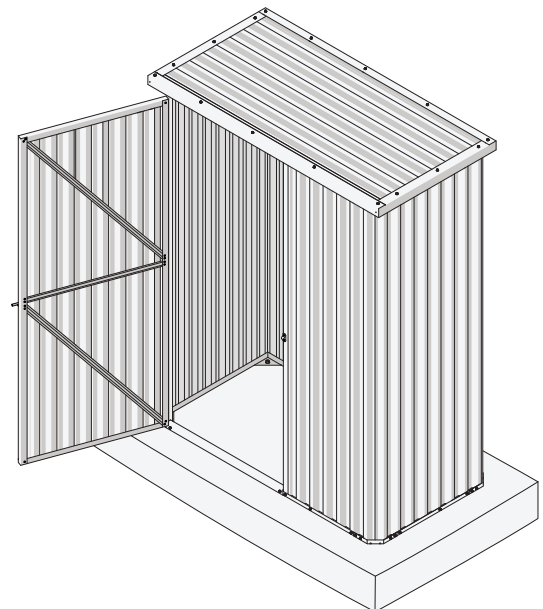
The installer is responsible for ensuring the concrete slab or pads are sufficient to support the shed and sustain wind loading. Do not anchor the Handi-Saver shed to pavers. Check that the walls are square. The diagonal measurements from corner to corner will be equal when the walls are square.



Secure the shed to the concrete base using an M8 masonry anchor in all four corners.



Your Handi-Saver shed is now complete. Maintain your Handi-Saver Shed by rinsing with water and wipe away any dirt build up.



« SCAN THIS QR CODE TO FIND A STRATCO NEAR YOU

1300 155 155
stratco.com.au

All brands and logos/images accompanied by © or ™ are trade marks of Stratco (Australia) Pty Limited. © Copyright November 2019

How To.

