

**NATURAL VENTILATION,
WE'LL BRING THE
How To.**

STRATCO
EXHALE®
LOW PROFILE VENTRIDGE



EXHALE® VENTRIDGE

ULTRA LOW PROFILE RIDGE TOP VENT

NATURAL VENTILATION SYSTEM

Specifically designed for metal roofs on housing or on sheds and garages, Stratco Exhale® VentrIDGE is the natural choice for free flowing natural ventilation.

The ultra-low profile form of Stratco Exhale provides an aesthetically pleasing solution to roof ventilation. In many situations, penetrating roofing to install more traditional ventilators is problematic - it creates areas where leaks can develop and the ventilators can be unsightly, sticking up or over the roof line. Stratco Exhale eliminates all of these issues by being designed to be part of the ridge capping itself.

Unlike spinning ventilators, Stratco Exhale is completely free of moving parts, so there is no chance of ceased bearings or parts being misaligned requiring frequent attention or replacement. In addition, it is completely silent - you would never know it's there.

Exhale is a fully patented system, cleverly designed to be installed in either the construction of a new dwelling or shed, or easily retro fitted to existing buildings. The perforated and galvanised inner construction of Exhale provides excellent protection against vermin and ember egress whilst still allowing hot air to vent from the roof space.

Exhale is available in two lengths, either 1220mm long or 2440mm and two pitches, either 22.5° (to suit Roll Type Ridge and roof pitch from 20° to 25°) or 12.5° (to suit 3 Bend Ridge and roof pitch from 10° to 12.5°). It is recommended that you install one 1220mm Exhale section for every 100m² of roofing.

THE EXHALE ADVANTAGE

- Low-profile design blends effortlessly with the ridge line of homes
- No moving parts means less noise and no worn bearings
- Won't blow off in a storm leaving a hole in your new roof
- Universal design suitable for retro fit or new homes
- Available in Zinc/al, galvanised or colour finishes
- Suits Roll Top Ridge (22.5°) and 3 Bend Ridge (12.5°)
- Available in 1220mm or 2440mm lengths
- Non-standard pitch is available to order
- Engineered and certified design
- Quick and easy installation
- Low maintenance



"The natural choice for free flowing ventilation"



HOW DOES EXHALE® WORK?

Hot air is less dense than cooler air and rises naturally. Inside a roof, the hottest air rises to the highest part of the roof space. The Exhale Ventridge works by allowing this hot air to rise and escape through the ridge, which is located at the highest part of the roof.

This allows cooler fresh air to enter the roof space and reduce the air temperature above the ceiling, which in turn reduces the amount of heat entering the house or building through the ceiling.

When wind blows over a roof it generates a slightly lower pressure on the top surface of the roof. This is called Bernoulli's Principle, which in effect draws hot air out from the roof cavity and further enhances ventilation achieved by the Exhale Ventridge.

Exhale Ventridge allows hot air within the roof cavity to escape. Reduced air pressure forms as air flows over the roof, further aiding to draw air out from the roof cavity.

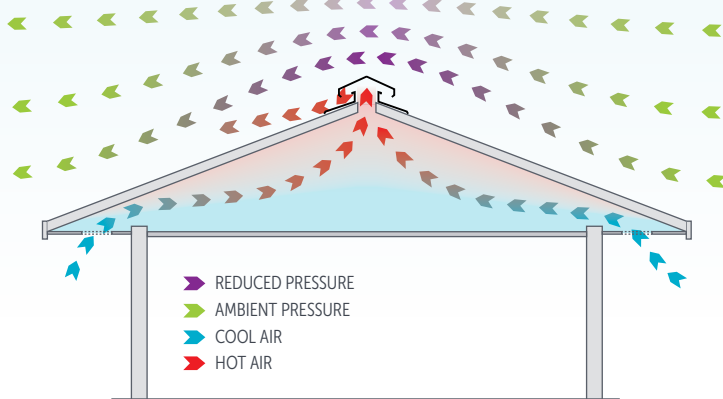


FIGURE 1.0

Exhale Ventridge allows air to take the most efficient path. Rotational ventilators take a longer & more inefficient path to extract air.

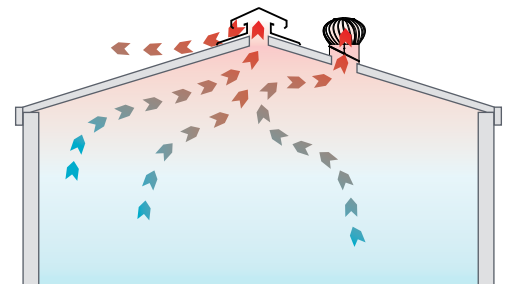
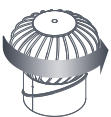


FIGURE 1.1

ADDITIONAL BENEFITS

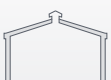


Rotational ventilators need to counteract their inefficiencies with moving parts that require wind to make them effective. These moving parts inevitably wear out. Exhale Ventridge has no moving parts and thus will not 'wear out'.



HOUSES

With a typical roof area of 200m², a minimum of two 1200mm Exhale Ventridge is recommended.



SHEDS

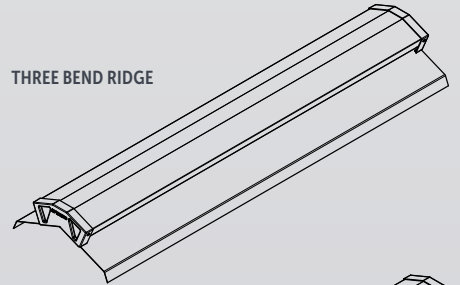
With a floor size up to 60m², a minimum of one 2400mm Exhale Ventridge is recommended.

Above 60m², two 2400mm units are recommended.

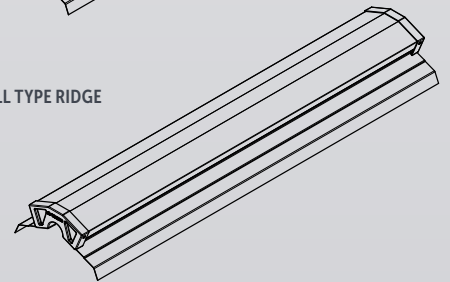
EXHALE® OPTIONS

Stratco Exhale Ventridge is available to suit either a Three Bend Ridge or a Roll Type Ridge.

THREE BEND RIDGE



ROLL TYPE RIDGE



Exhale Ventridge is available in two lengths:

- 1220mm long
- 2440mm long

and two pitches:

- 22.5° (to suit roof pitch from 20° to 25°)
- 12.5° (to suit roof pitch from 10° to 15°).

The quantity of components supplied will vary depending on the length purchased.

WE'VE GOT ROOFING HowTo.

Talk to our roofing experts to sort out your next project. Everything you need to know to is in our head.

Just tell us what's in yours and we'll help you to make it happen!



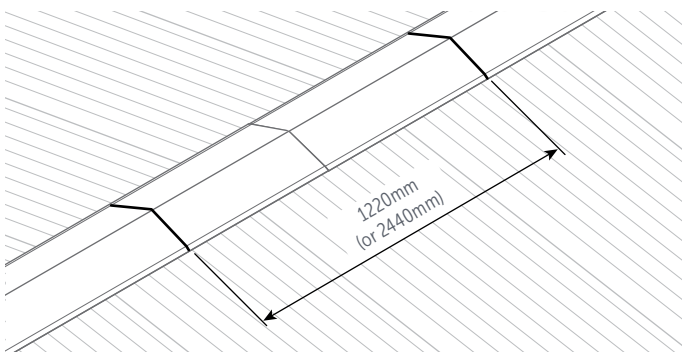
INSTALLATION

TOOLS REQUIRED

PERMANENT MARKER	TAPE MEASURE	TIN SNIPS	RIVET GUN
POWER DRILL	HEX HEAD ADAPTER	DRILL BIT	CAULKING GUN & SILICONE

INSTALLATION

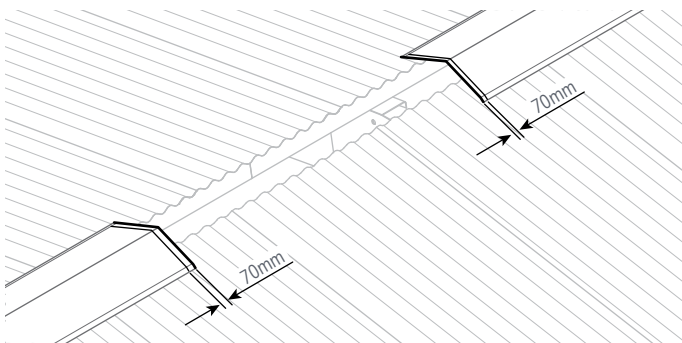
Locate the position where the Exhale VentrIDGE is to be installed and mark the two ends on the existing ridge cap.



STEP 1

Measure 70mm in from each mark and cut the existing ridge cap along these lines in order to remove the section of ridge cap.

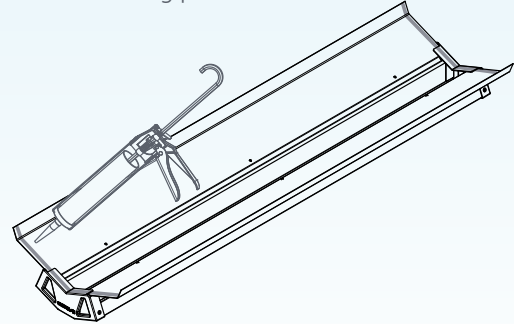
This process may require the removal of any existing fasteners.



STEP 2

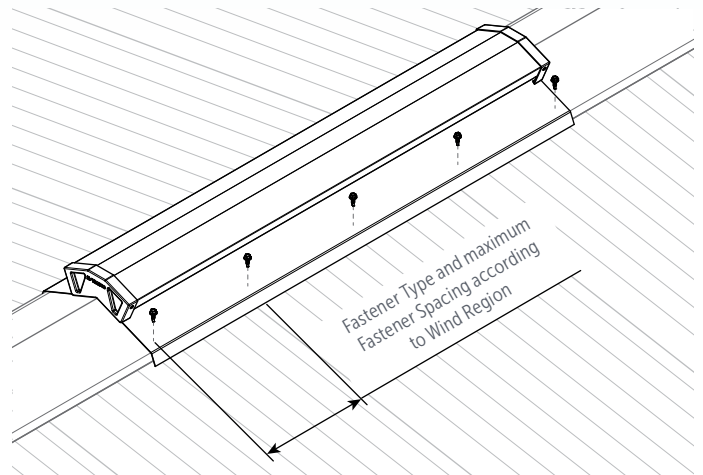
Apply silicone on the ends of Exhale before placing Exhale over the gap in the ridge cap. Align Exhale with the original markings to ensure the overlap of Exhale on the ridge cap is sufficient.

If required, the Exhale skirts can be scribed and notched to match the roof cladding profile.



STEP 3

Fix Exhale through the roof cladding and into the ridge purlins/battens in accordance with the table below.



STEP 4

WIND REGION	FASTENER TYPE	FASTENER SPACING
Cyclonic Region C (Worst case Terrain Category 2.0 with building height up to 5m)	14-12 or M6.5-12 Cyclonic RoofZips* screws with Multiseal Washers	300mm maximum
Non-Cyclonic Regions (Up to and including N3 wind classification)	M6 Hex Head HiGrip Screws	500mm maximum

NOTES:

- Cyclonic design wind load determined based on wind direction, shielding and topography multipliers all being 1.0. For wind conditions outside the scope, please seek advice from Stratco.
- Steel ridge purlins shall be minimum 0.55mm in thickness. Timber ridge battens shall have minimum 35mm screw embedment.

*RoofZips is a registered trademark of Buildex.



« SCAN THIS QR CODE TO FIND A STRATCO NEAR YOU

1300 155 155
stratco.com.au

All brands and logos/images accompanied by © or ™ are trade marks of Stratco (Australia) Pty Limited. © Copyright August 2017

How To.

