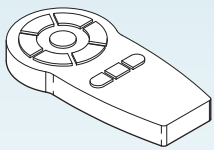


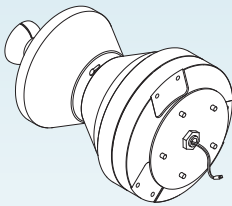


KIT CONTENTS

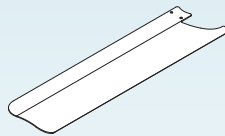
Remote Control
(A23 12V battery supplied)



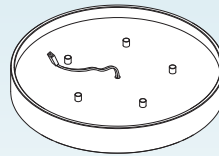
Fan Assembly



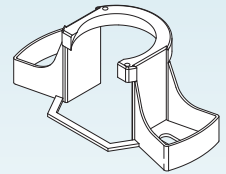
Fan Blade



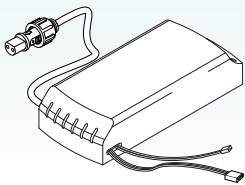
Light Assembly



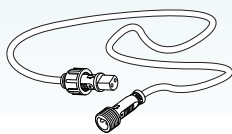
Fan Hanger Bracket



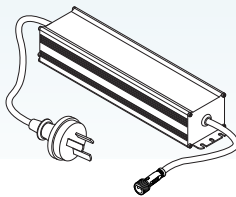
Controller



Extension Cable
(Maximum 18m total length)

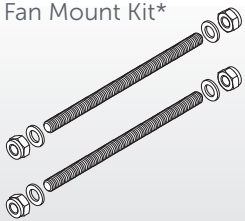


Power Supply

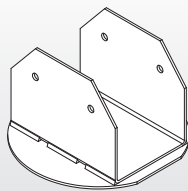


EXTRA COMPONENTS

Cooldek Ceiling
Fan Mount Kit*



Outback Fan
Mount Kit*



*Components sold separately for specific installation requirements.

STRATCO PATIO CEILING FAN

INSTALLATION GUIDE

STRATCO CEILING FAN INSTALLATION GUIDE

Check to ensure all required components have been supplied.
Choose one of the following fan hanger bracket installation methods to suit your specific patio.

IMPORTANT NOTES

The lowest point of the fan must be a minimum of 2.1m from the ground once installed.

Up to three 6 metre extension cables can be used between the ceiling fan and the power supply (maximum 18 metres).

Be careful not to damage any cables on sharp sheet metal edges.

Ensure the bolts on the fan blades are correctly installed with spring washers, and are tightened before use.

OUTBACK RAFTER INSTALLATION

The fan hanger bracket is to be fixed directly to the Outback beam rafter using 12x20 self-drilling screws. Locate the fan hanger bracket centrally beneath the rafter.

The extension cable can be routed externally or through the beam. A $\varnothing 20\text{mm}$ hole must be drilled in the Outback Beam to allow the cable plug to feed through.

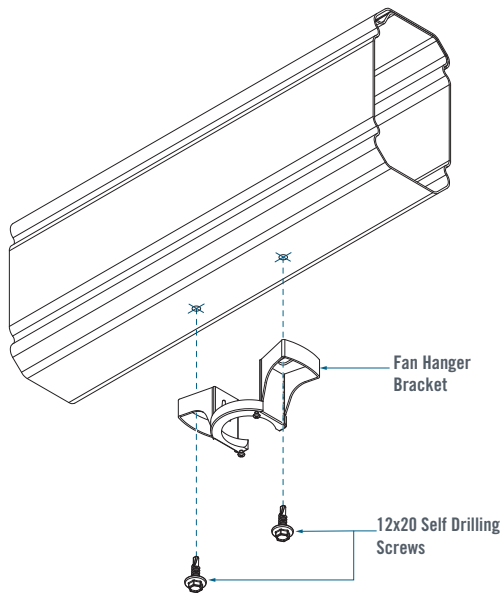


FIGURE 1.0

OUTBACK GABLE INSTALLATION

An Outback gable mounting bracket is required when installing a ceiling fan in a Stratco Outback Gable patio. The Outback Fan Mount Kit must be installed over the rafter beams at the gable apex. Ensure the bracket is positioned horizontally when installed. Fasten to the gable rafter beams using four 12x20 self-drilling screws.

Centre the fan hanger bracket beneath the mounting plate of the Outback Fan Mount Kit (Figure 2.0). Fix using two 12x20 self-drilling screws.

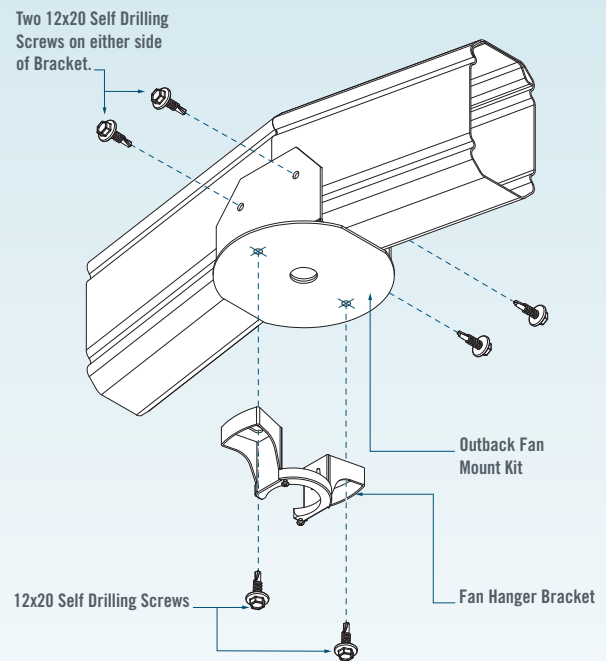


FIGURE 2.0

COOLDEK INSTALLATION

The following steps should be taken prior to Cooldek installation.

Select the Cooldek panel for fan placement. Measure and mark the centre location of the ceiling fan. Mark the outline of the ceiling fan shroud & hole locations on the ceiling of the Cooldek panel using a pencil and the template provided on the back page of this document (Figure 7.0).

Drill $\varnothing 6\text{mm}$ mounting holes through the Cooldek ceiling. Continue drilling through the Cooldek foam and roof sheet (Figure 3.0).

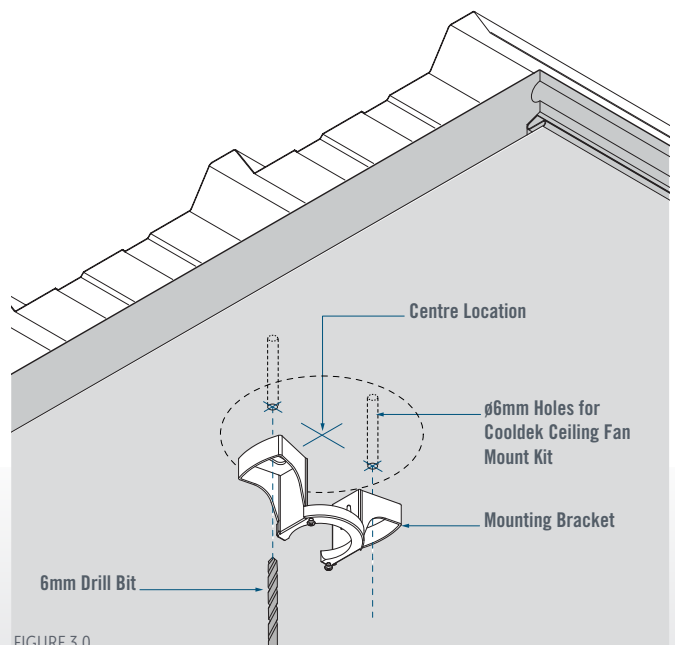


FIGURE 3.0

Use a hole saw to drill a $\phi 30\text{mm}$ hole in the Cooldek ceiling for the extension cable (drill through the ceiling sheet only) (Figure 3.1). Ensure the hole does not extend past the extents of the ceiling fan shroud.

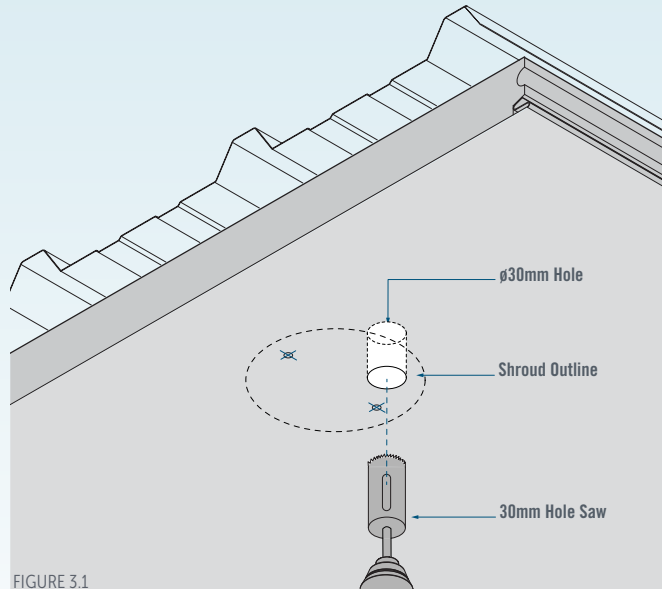


FIGURE 3.1

Drill a $\phi 20\text{mm}$ hole from the side of the Cooldek panel to meet the $\phi 30\text{mm}$ diameter hole using spade bit and extension (Figure 3.2 & 3.3). Use a vacuum cleaner to collect polystyrene particles while drilling.

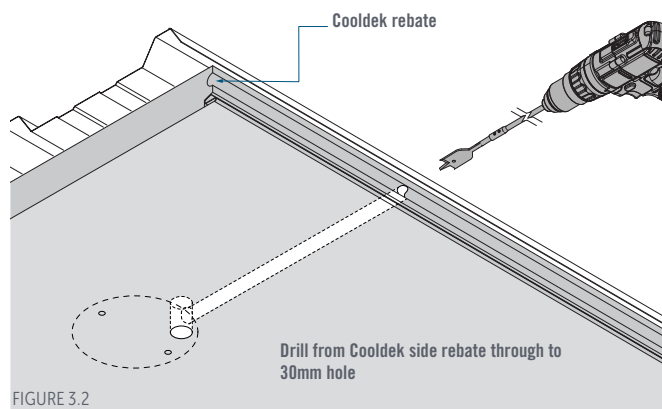


FIGURE 3.2

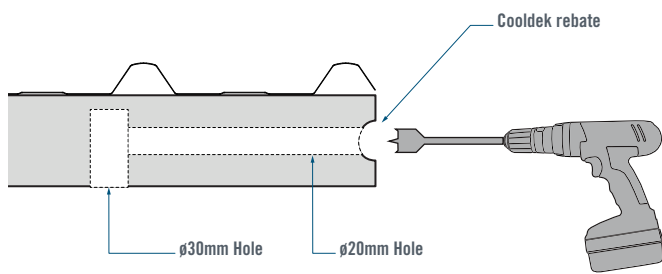


FIGURE 3.3

Feed the female end of the extension cable through the side of the Cooldek panel and to the ceiling fan mounting location (Figure 3.4). Tape the extension cable along the side rebate of the Cooldek (Figure 3.5).

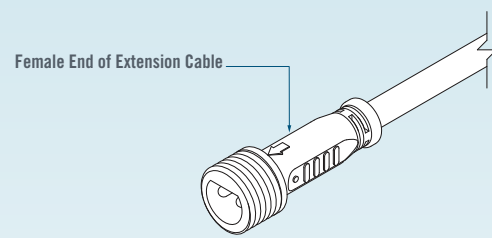


FIGURE 3.4

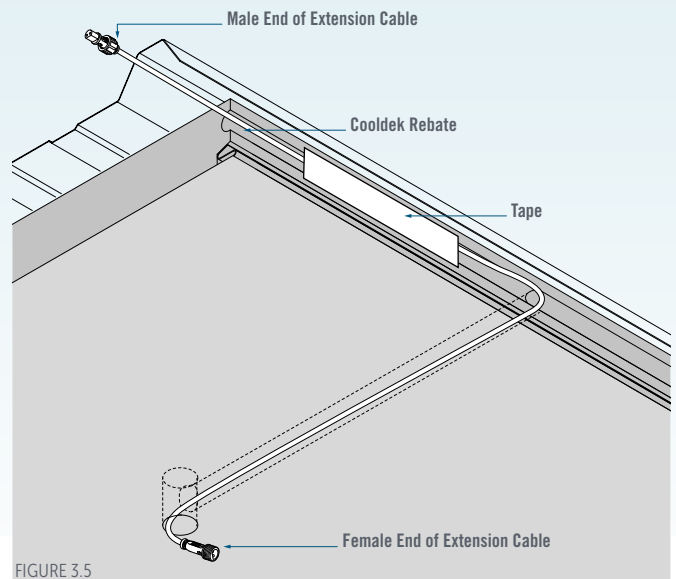


FIGURE 3.5

Install the fan hanger bracket using M6 mounting rods, washers, and Nyloc nuts (from the Cooldek Ceiling Fan Mount Kit) through the two pilot holes (Figure 3.6). Ensure the bracket is fastened firmly. Cut back the excess threaded rod protruding above the nyloc nuts. Seal top of mounting holes by covering the M6 mounting rods and nuts completely with silicone (Figure 3.6).

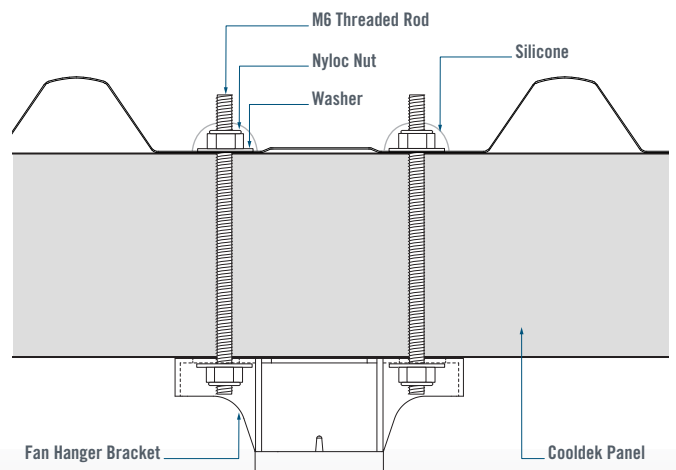


FIGURE 3.6

The Cooldek sheet can now be installed on the patio. Ensure all extension leads are connected before concealing cables.

STRATCO CEILING FAN INSTALLATION GUIDE

FAN ASSEMBLY

Attach fan blades to the fan assembly using bolts, washers, and spring washers (Figure 4.0 & 4.1). Ensure blades curve downwards and tighten bolts firmly to ensure blades do not come loose.

Check blades at regular intervals throughout installation to ensure they remain firmly fastened.

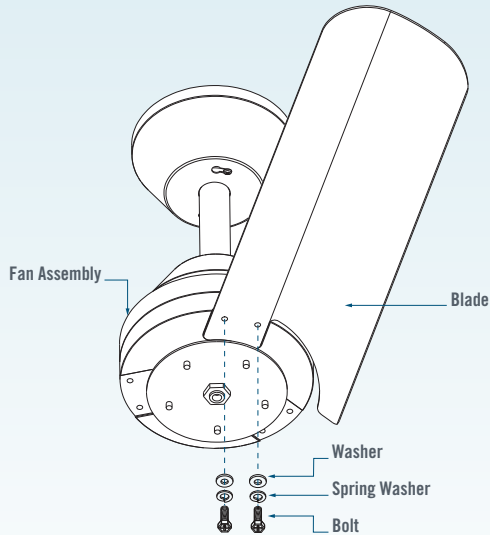


FIGURE 4.0

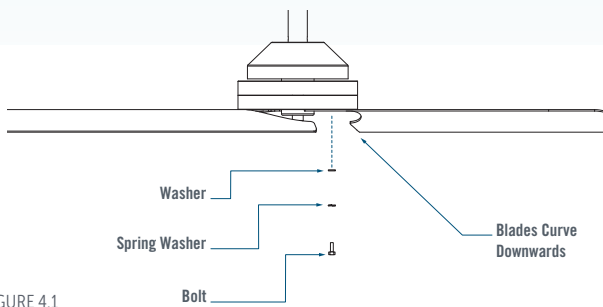


FIGURE 4.1

FAN INSTALLATION

Once the mounting bracket or Cooldek sheet has been fixed into position the fan can be installed. Lift the fan assembly and hang from the fan hanger bracket (Figure 5.0 & 5.1). Rotate the assembly until it locks into the locator notch within the fan hanger bracket (Figure 5.2).

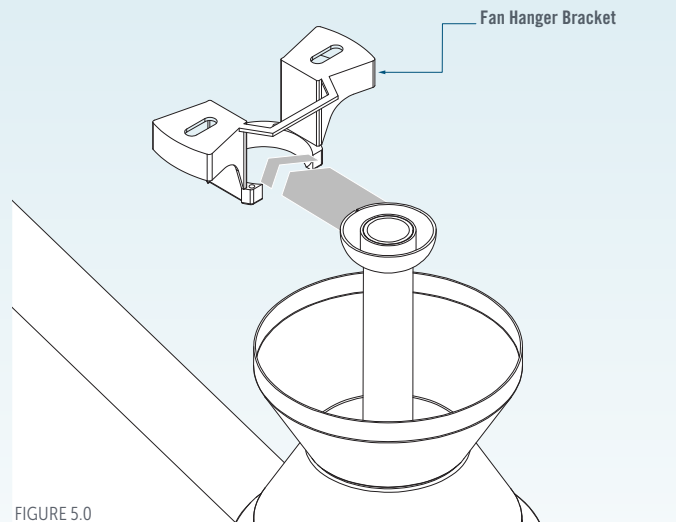


FIGURE 5.0

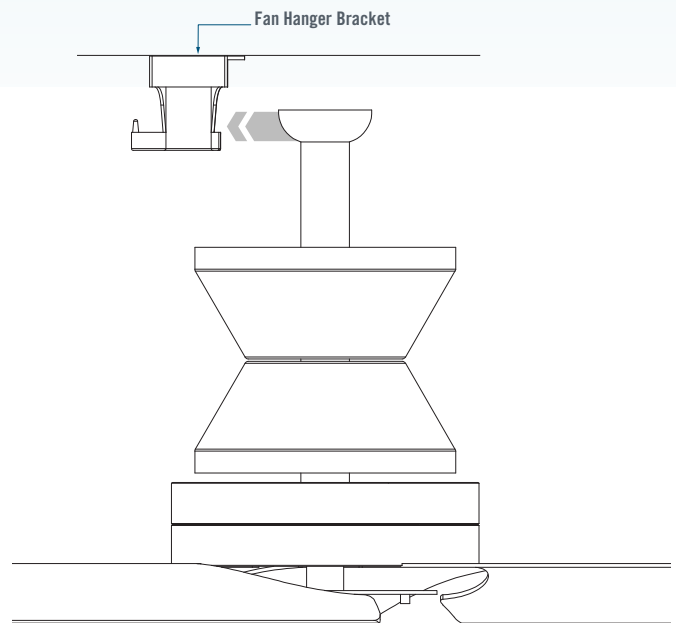


FIGURE 5.1

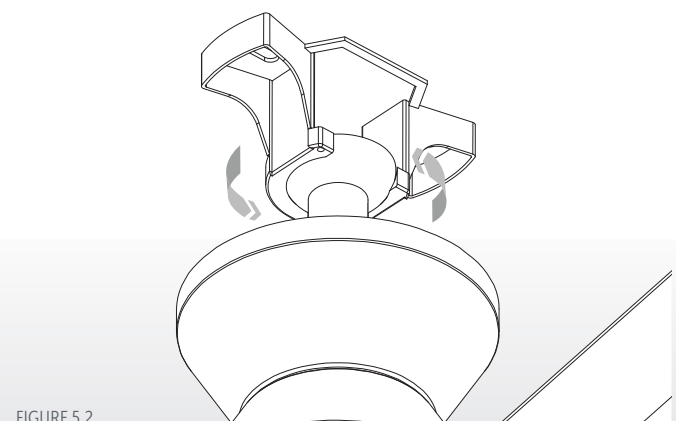


FIGURE 5.2

Slide the fan controller into the fan hanger bracket (Figure 5.3).

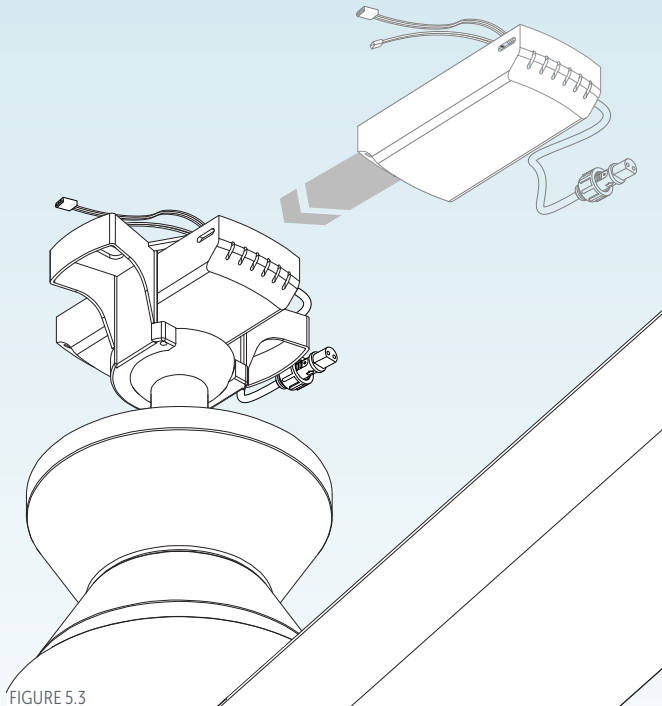


FIGURE 5.3

Connect the fan controller cables to the fan assembly (Figure 5.4). Cables have locating features so they cannot be installed incorrectly (Figure 5.4 & 5.5).

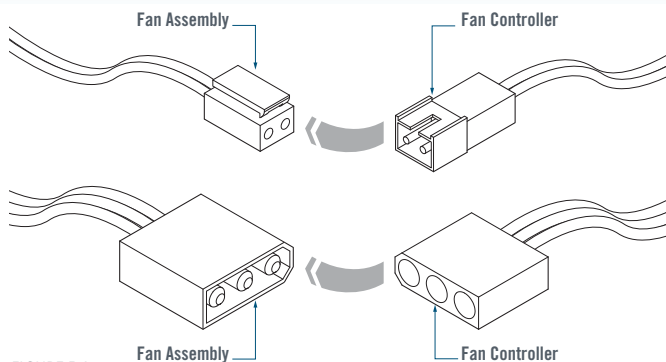


FIGURE 5.4

Connect the extension cable to the controller (Figure 5.5).

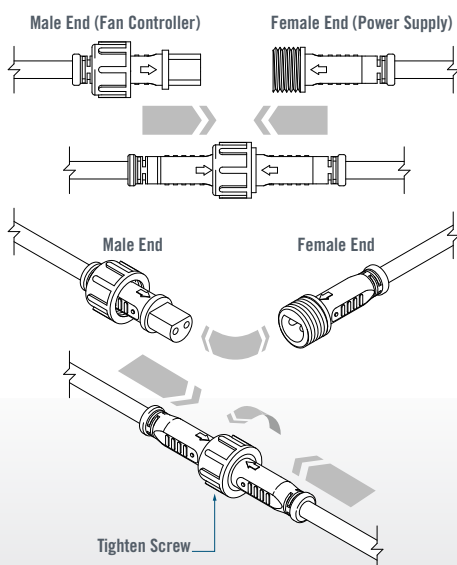


FIGURE 5.5

Loop the cables around fan hanger bracket to ensure the shroud will fit more easily (Figure 5.6).

Slide the shroud up to the ceiling and rotate anti-clockwise so the locating screws are positioned within slots (Figure 5.7). Lightly tighten screws. Do not over-tighten screws as this will distort the fan shroud.

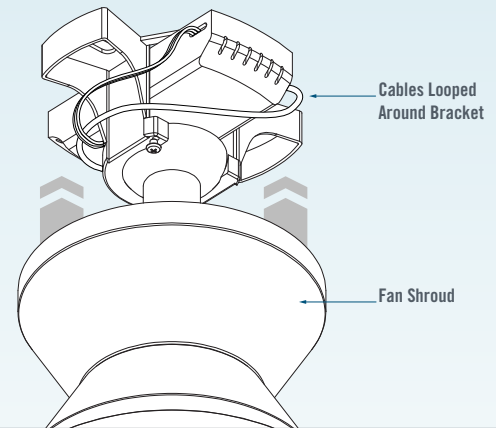


FIGURE 5.6

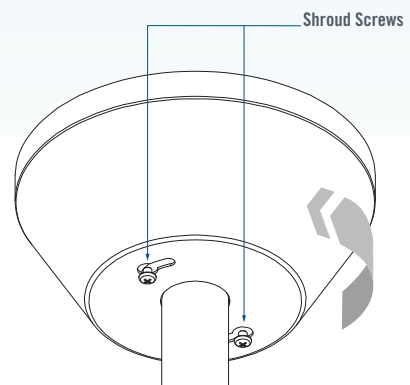


FIGURE 5.7

Connect light assembly plug to the plug at the base of the fan assembly (Figure 5.4).

Lift the light up to the fan assembly until the light is firmly attached to the magnets at the base of the fan assembly. Ensure the connection cable does not protrude between the fan and light assembly (Figure 5.8).

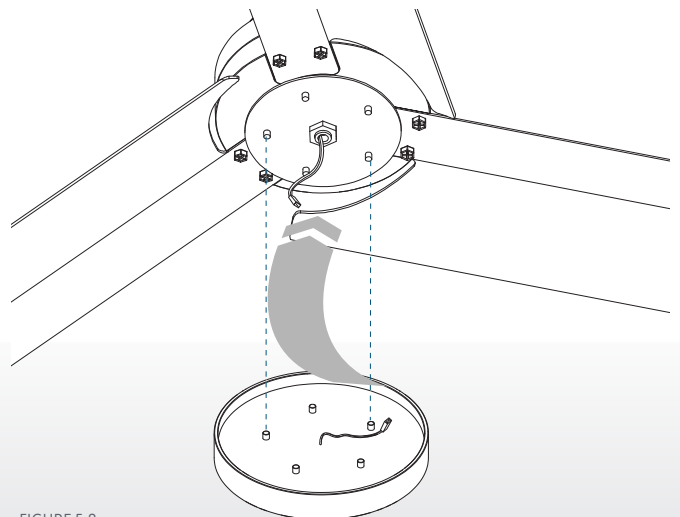


FIGURE 5.8

STRATCO CEILING FAN INSTALLATION GUIDE

Connect the female power supply plug to the male plug on the extension cable (Figure 5.5).

Note: A maximum of three 6 metre extension cables can be used (up to 18 metres) between the ceiling fan and the power supply.

Plug the power supply into a 240V power outlet and turn on at the switch (Figure 5.9).

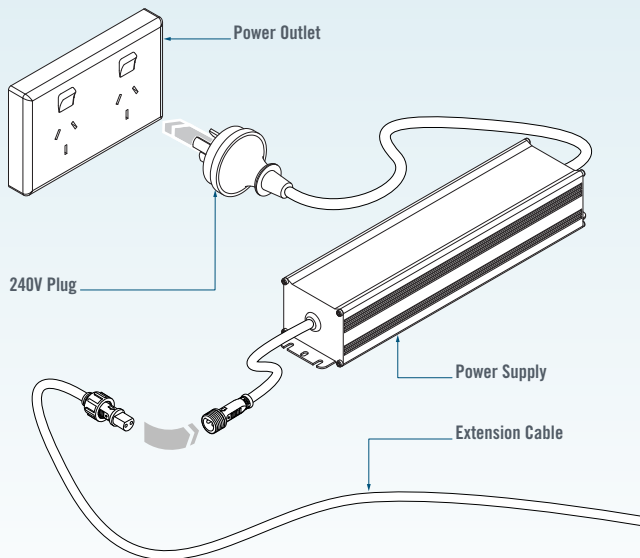


FIGURE 5.9

FAN OPERATION

Fans are pre-programmed to the remote control supplied within each kit (Figure 6.0).

Multiple fans can be programmed to a single remote. To synchronise multiple fans to one remote turn the power on to all fans and immediately hold down the 'off' button on the master remote until all fans beep.

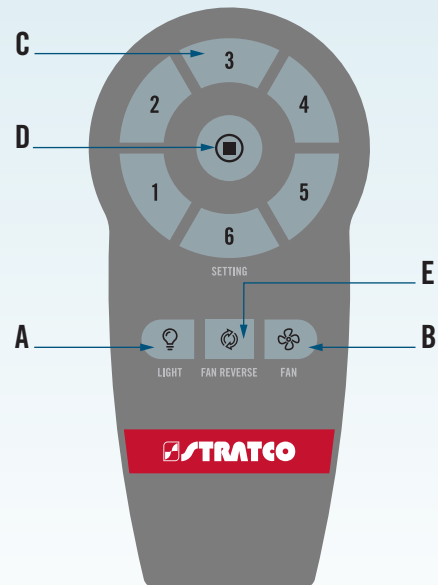


FIGURE 6.0

REMOTE CONTROL FUNCTIONS

A. LIGHT SELECTION

Use this button to turn on the light. Light mode is then activated and then use setting buttons to select required brightness.

B. FAN SELECTION

Use this button to turn on the fan at its lowest speed. Then use the numbered setting buttons to select the fan speed setting.

C. SETTING

Once a Mode is selected, fan speed and brightness can be controlled using the numerical buttons. 1 is the lowest speed/brightness. 6 is maximum speed/brightness.

D. OFF

Use this button while in Light Mode to turn lights off. Use this button in Fan Mode to stop the fan spinning.

Hold down the Off button for 5 seconds to turn off both the light and the fan, and also reset the fans back to clockwise rotation.

E. REVERSE

Use this button to reverse the direction of the fan.

Anti-clockwise will push air down for a cooling wind-chill effect. Clockwise will draw air up and circulate warm air around, avoiding wind chill.

NOTE:

If the fans become out of sync with each other hold the Off button for 5 seconds. This will reset all fans.

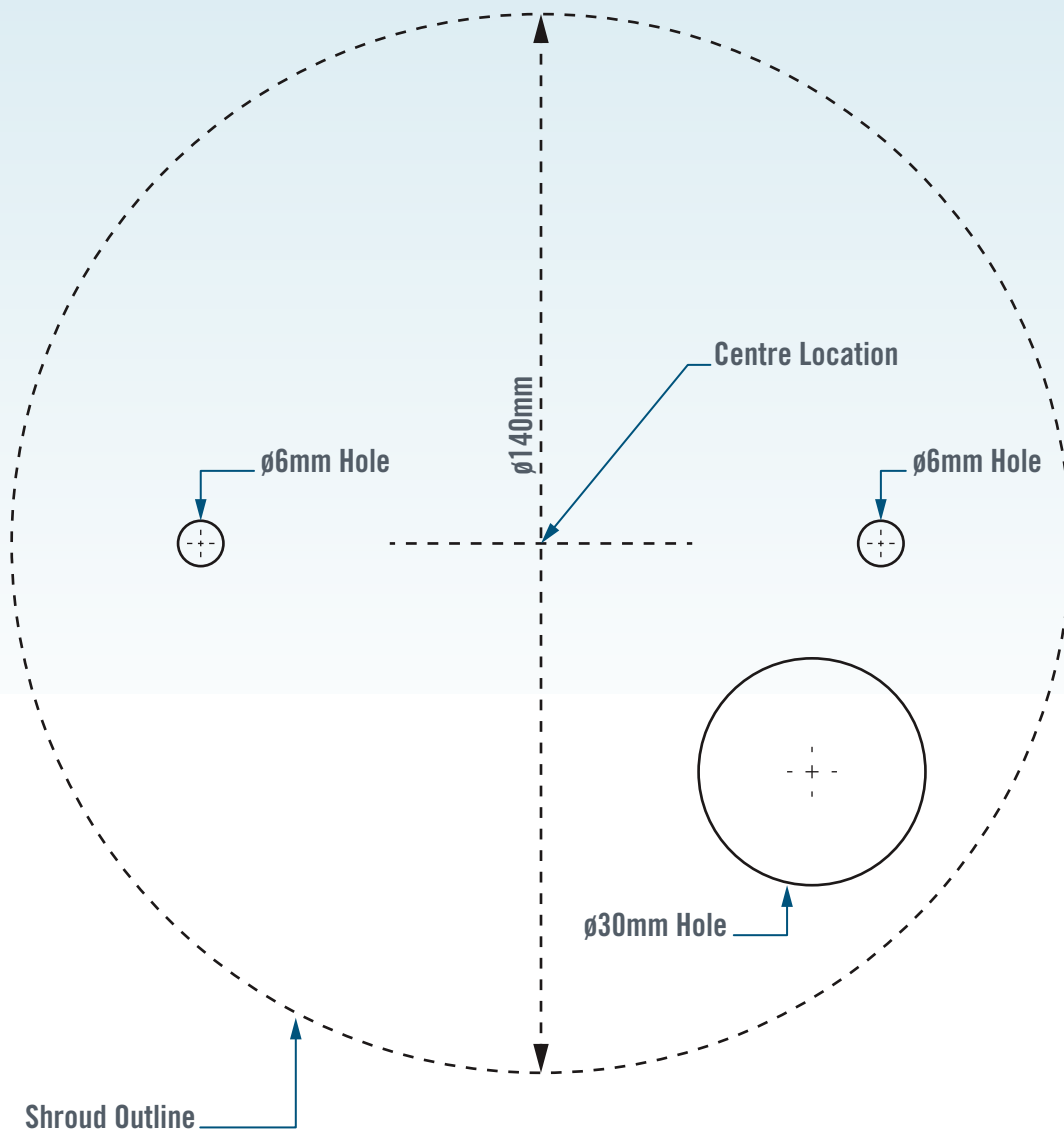
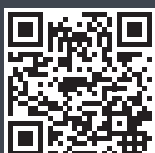


FIGURE 7.0



« SCAN THIS QR CODE TO FIND A STRATCO NEAR YOU

1300 155 155
stratco.com.au

All brands and logos/images accompanied by © or ™ are trade marks of Stratco (Australia) Pty Limited. © Copyright January 2021

How To.

