

A photograph of a modern outdoor kitchen structure with a tiled roof and white walls. The structure features operable louvered shutters on the walls and a stone base. A stainless steel grill is visible inside. The background shows trees and a clear blue sky.

NIRVANA ALUMINIUM OPERABLE SHUTTER SYSTEM



PEARL WHITE GLOSS / GA078A (W)
POWDER COAT

SURF MIST MATT / GA236A (SM)
POWDER COAT

Note: Colours displayed are a guide only

INTRODUCING NIRVANA

Nirvana shutters are a stylish horizontal operable louvre solution offering a range of benefits such as enclosing an external void space, protection from natural elements or providing privacy to patio enclosures.

The hand operable system enables you to simply adjust the louvres to allow sunlight between the blades, controlling the level of desired privacy. Our aluminium shutters are built to the highest quality and are available in Pearl White or Surfmist powder coat finish.

The high quality aluminium panels are supplied fully assembled and are easily installed in a void opening with U channels on all four sides.

Nirvana shutters are an entertainers dream, giving your project a stylish secluded sanctuary which can be enjoyed all year round.

Some benefits of Nirvana shutters include:



STRONG ALUMINIUM



REFLECTIVE



EASY INSTALLATION



HAND OPERABLE OPEN/CLOSE



CUSTOM MADE TO SIZE





Why choose Nirvana?

Our aluminium fixed panel operable louvre shutter system features horizontal elliptical blades which can be opened or closed by tilting up or down by hand. Shutters are joined by a tilt rod allowing the blades to move in unison. Panels are fixed into the void space using U channels (please note face mount or hinged/bi-fold options not available).

BENEFITS OF ALUMINIUM



RECYCLABLE

Shutters have commonly been made from harvested timber which must be repeatedly painted. Nirvana shutters are made from aluminium – the most abundant metal in the Earth's crust and third most abundant element (after oxygen and silicon). There are no ongoing painting issues with Nirvana aluminium shutters.



NON COMBUSTIBLE

Aluminium is described as non-combustible. When aluminium is exposed to a prolonged fire environment it will begin to melt (not burn) with a melting point between 600 and 660 degrees celsius. Aluminium battens are an excellent choice where fire risk requires consideration.



CORROSION RESISTANT

Aluminium is impervious to insects and termites plus the non-porous surface is naturally resistant to fungi, mould and mildew. It is also unaffected by exposure to sunlight and water making it ideal for batten/screening solutions.



LIGHT WEIGHT

Aluminium weighs approximately one third of a piece of steel that is the same size and shape. Nirvana shutters are made by extruding aluminium which allows for optimisation of shape to maximise strength and reduce weight.



DURABLE POWDER COAT

Powder coating aluminium provides outstanding long term colour fastness and stability.



WIPE CLEAN

Enjoy minimal maintenance with Nirvana shutters with the ease of a simple wipe clean.



Aluminium shutter panels are custom made to size and arrive fully assembled. Tilting louvres open gives visibility and also lets a breeze pass through providing heat reduction. Closing louvres ensures privacy and reduces impact from the elements such as wind, sun and rain.

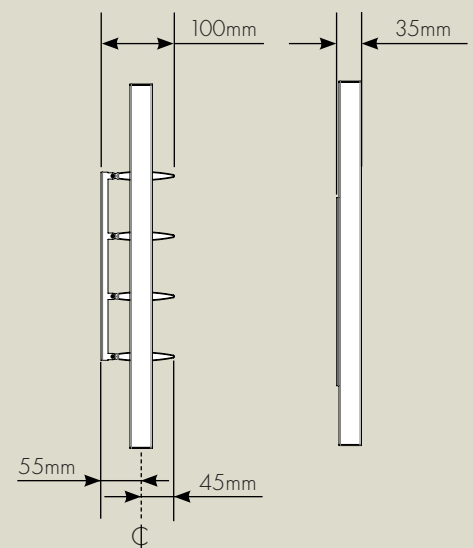
Aluminium shutter panels are comprised of an outer frame (top and bottom rail and side stiles) and blades (90x12mm louvres) which are connected by a tilt rod. Panels over 1500mm high include a midrail and allow louvres above and below the midrail to be operated independently. The panel is secured inside U channels on top, bottom and sides.

Nirvana shutters can be installed into a void opening to a maximum of 3000mm high x 6000mm wide.

With wider void openings, multiple panels are installed side by side using a "H" joiner aluminium profile into which panels neatly push into.

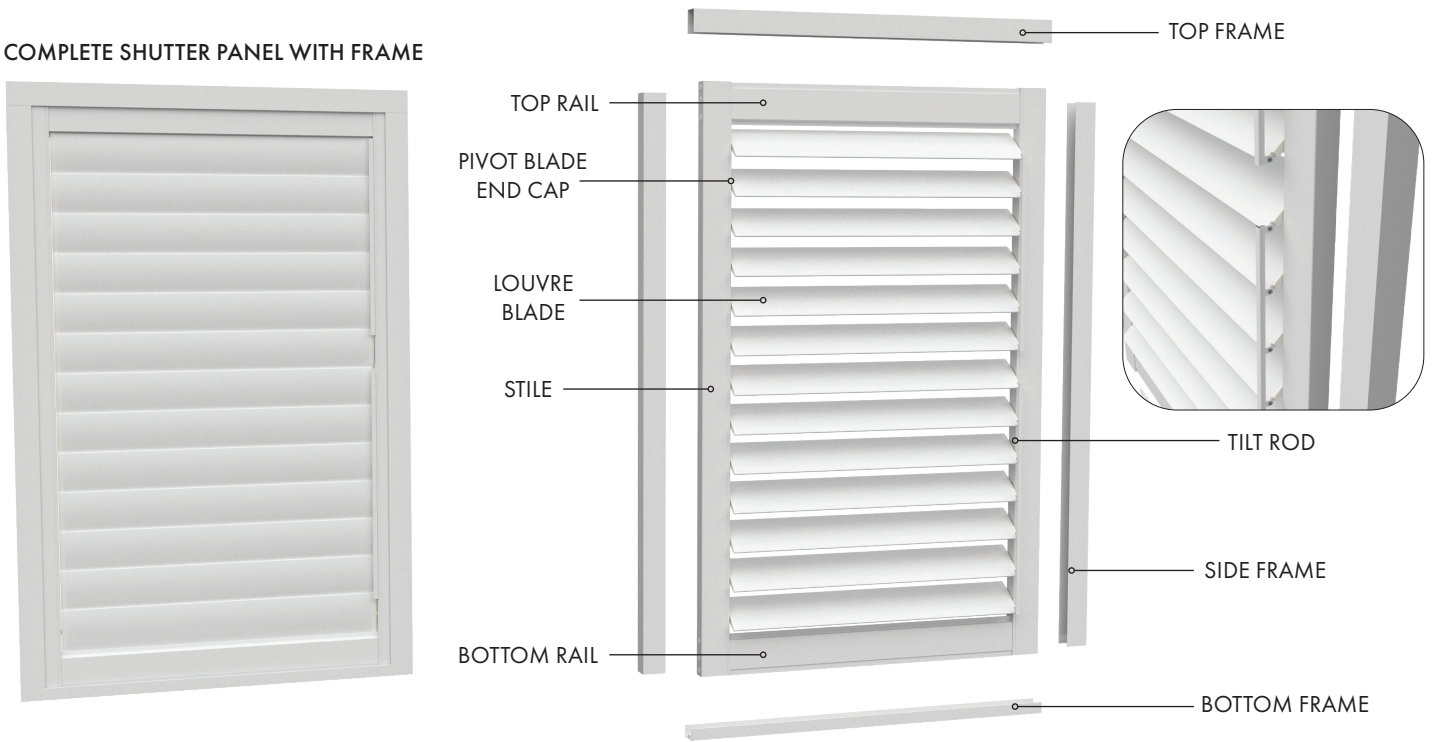
IMPORTANT

- Nirvana aluminium shutters are not to be used as a balustrade/barrier
- Shutter blades may be opened to allow wind to pass through. However, if compliance/certification is required for wind loading, seek independent engineering advice
- Operable aluminium blades close neatly and provide relief from the elements such as wind, rain and sun however the shutters are not designed to be a complete weatherproof barrier

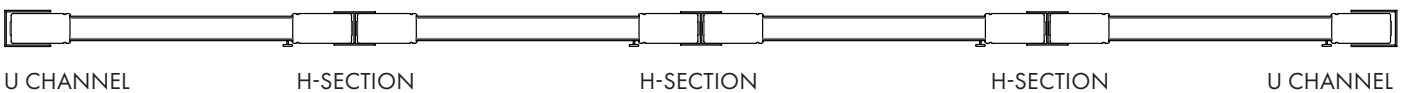


OVERVIEW

COMPLETE SHUTTER PANEL WITH FRAME



EXAMPLE: 4 FIXED OPERABLE PANELS WITH SURROUNDING U CHANNELS AND DIVIDER H SECTION JOINERS



PLEASE NOTE: Panels over 1500mm high require a midrail.

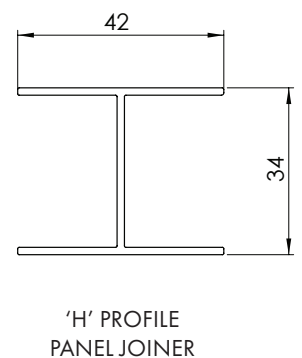
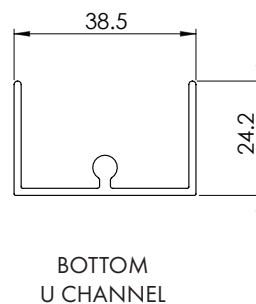
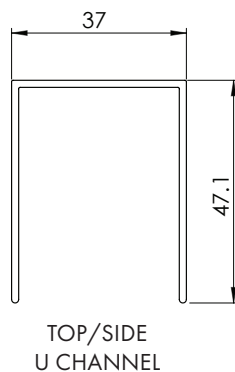
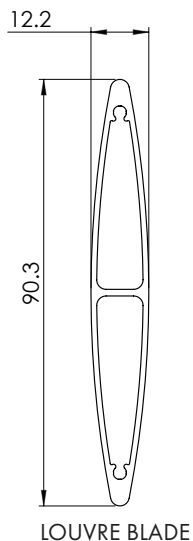
Min max OPENING SIZES: MIN: Width 350mm x Height 500mm / MAX: Width 6000mm x Height 3000mm

Per PANEL size: MIN: Width 350mm x Height 500mm, MAX: Width 1200mm x Height 3000mm.

Tilt rods control [approx] 12 blades

Shutters weigh approximately 13kg per sqm.

ALUMINIUM EXTRUSION OVERVIEW



MEASURING YOUR VOID OPENING

NIRVANA SHUTTERS ARE CUSTOM MADE TO SIZE

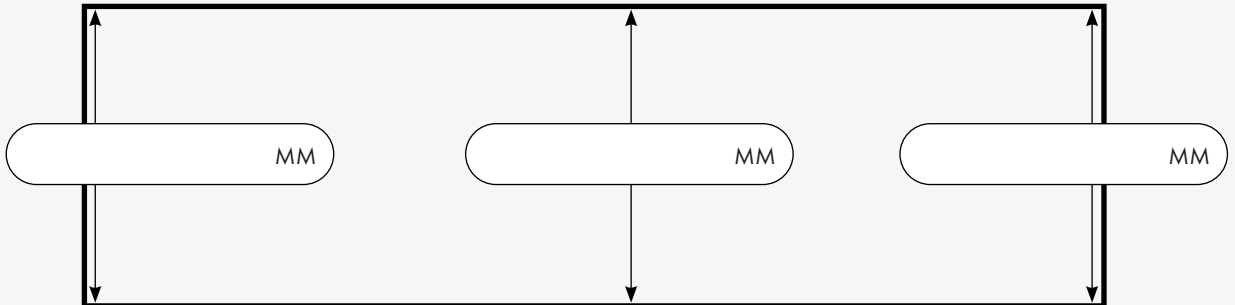
01 WIDTH

Measure the exact inside width daylight opening of the top, middle and bottom of the void.
Note the smallest width measurement.



02 DROP

Measure the exact inside height daylight opening of the left, middle and right height (drop).
Note the smallest height measurement.



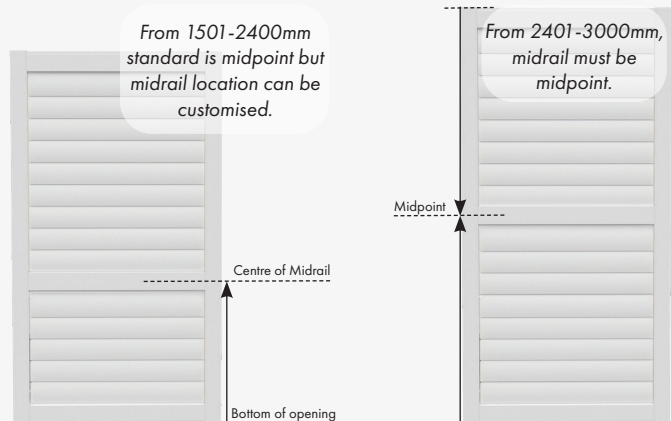
03 HORIZONTAL MIDRAIL

(IF OVER 1500MM HIGH)

NOTE: For panels up to 1500mm high, a midrail is not required.

The midrail is set to centre as default but may be changed if requested.

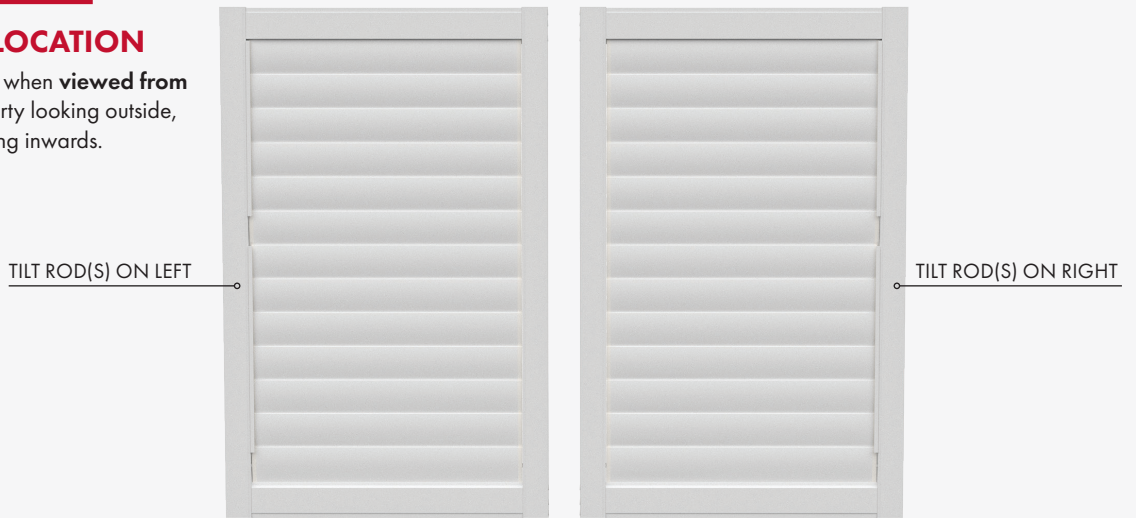
1501mm and over requires a midrail. Midrails must be positioned at least 400mm from the bottom of your panel and 400mm from the top of your panel and each panel section divided by the midrail must span 1500mm or less.



MEASURING YOUR OPENING

04 TILT ROD LOCATION

Tilt rod location when **viewed from inside** of property looking outside, with tilt rod facing inwards.



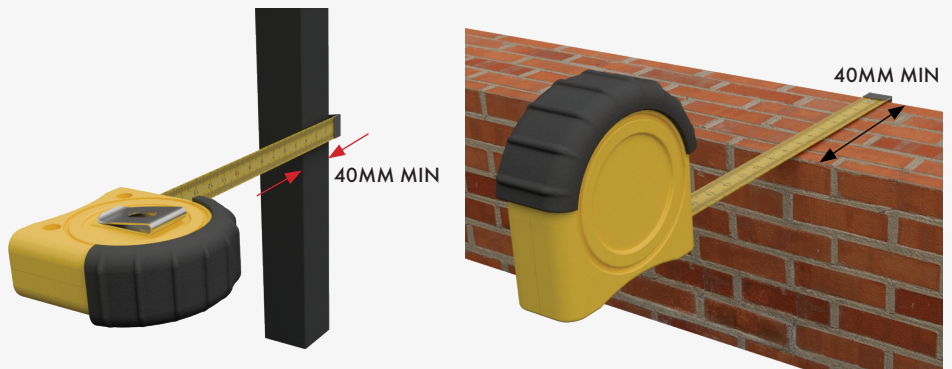
05 COLOUR

Choose the shutter and frame colour.



IMPORTANT: Measure the depth of your void to ensure sufficient installation depth for U channels and check for any obstructions on sides, top, bottom and within the void space. 40mm minimum cavity/recess required for shutter installation.

NOTE: Shutters are 35mm deep when closed and 100mm deep when fully open (including tilt rod). Check for any obstructions that may prevent shutters from fully opening (door handles, lock handles, storm bars).



ORDERING PROCESS

Once opening sizes are measured, simply input sizes/specifications into our easy to use Excel Order Form which also provides instant pricing. Contact us and we will email you the Excel order form.

- Lead times from time of order confirmation to receiving are between 6 and 8 weeks as standard.
- Nirvana Shutters are available for pick up from all 8 GO depots nationally or can be delivered. We are also able to arrange freight Australia Wide (additional domestic freight fees apply).

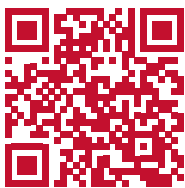
Order Form - Nirvana Operable Aluminium Shutters — V1.01-T1												
Colour: Pearl White												
Layout			Number of Openings at the Same Size	Qty of Panels Per Opening			Centre Support Rail Per Panel			Amount Ex GST		
Opening Height (mm) ¹	Opening Width (mm) ²	Tiltrod Position ³		Qty Panels Per Opening	Per Panel Approx Width (mm)	Specify Qty Panels Per Opening	Approx Panel Width (mm) ⁴	Qty of Centre Rails	Specify Centre Rail Height (mm) ⁵		Minimum Height (mm)	Mid-height Centre Rail (mm) (recommended)
A		Select						n/a				
B		Select						n/a				
C		Select						n/a				
D		Select						n/a				
E		Select						n/a				
Total Number of Openings:			0								Total Amount Ex GST:	
											Total Area sqm:	

¹ Opening Height between 500mm and 3000mm - refer 'Measuring Guide'
² Opening Width between 350mm and 6000mm - refer 'Measuring Guide'
³ Tiltrod location is when viewed from inside of the property looking out
⁴ Per Panel Width : min 350mm and max 1200mm; includes framing allowance
⁵ Centre Support Rail Height is measured from bottom of opening to middle of horizontal centre support rail
 Centre Support Rail height may need to be adjusted ±40mm to suit louvers

EASY INSTALLATION

Panels are supplied fully assembled and fit in void openings using easy to install U channel on all four sides.

Refer to the installation overview by scanning the QR code below.



www.productinstall.com.au/nirvana
Password: Nirvana1





Errors and omissions excepted. Measurements and drawings are provided as a guide only and should not be relied upon solely for installation purposes.

Product codes, products and prices may change at GO's discretion as systems are constantly reviewed and updated. Please contact GO if you require clarification of product codes, pricing or product stocking.

Due to each installation situation being different, it is the installer's responsibility to seek engineering compliance and/or certification should it be required as part of a project, regulatory or statutory requirement.

As each installation site is different, it is the installer's responsibility to consider the impact of wind loads on the design of a fence. Please consult your engineer for site specific matters relating to wind loads.

Colours displayed in PDF's or printed documents are indicative only and should not be relied on as a true representation of actual powder coat colour. All products should adhere to a suitable care and maintenance schedule.

©Copyright 2023. This catalogue is the copyright of GO and cannot be reproduced, copied or replicated without the prior written consent of GO. Such consent applies to images as well as text.

GO Nirvana Aluminium Operable Shutter System V1