



SHEDS



## BEFORE YOU START

- To ensure that the installation and erection of your Stratco Handi-Mate™ Shed proceeds smoothly you should confirm that all the components and materials listed on the delivery documentation and in this installation guide have been supplied. Details for ordering individual components can be found in the "Component Index" section at the end of this document.
- Carefully read this installation guide to familiarise yourself with all the steps involved and ensure that you have the correct tools and equipment for the job.
- There are different types and colours of screws. Ensure that the right type and colour screw is being used at each location.
- Use heavy gloves when handling steel sheeting and flashings and never attempt to install a shed in windy conditions.
- It is important that you contact your local government authority to determine if building approval is required.
- Stability and performance of the shed relies on the door being closed during high wind events.
- It is essential to clear and level the site prior to assembling your Stratco Handi-Mate™ Shed.
- Do not traverse the roof of the Handi-Mate™.
- The installer is responsible for ensuring the slab or concrete pads are sufficient to support the shed and sustain wind loading. Do not directly anchor your shed to pavers. All Stratco Handi-Mate™ Sheds must be securely bolted to a permanent concrete base with sufficient masonry anchors as specified in Figure 6.3 to prevent wind uplift.

Option 1 - Before building the shed, pour a base that is larger than the area by at least 200mm in each direction. The base should be poured so the concrete outside the shed floor area slopes away from the shed to help prevent water from entering the shed.

Option 2 - Substantial concrete pads may be used at each anchor location as an alternative to a complete concrete floor. It is recommended pads are minimum Ø250mm x 400mm deep, embedded into a firm natural soil base.

- Where necessary, components are marked with a coloured sticker as to easily differentiate one from another. Components are referenced throughout the installation guide by their colour. For example, Panel (Short) is marked with a red ● sticker.

## SHED WINDOWS (OPTIONAL)

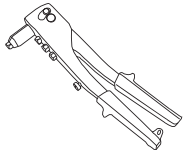

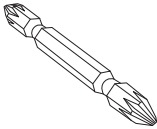
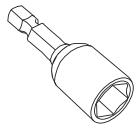
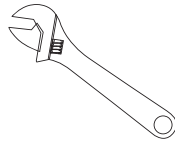
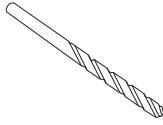



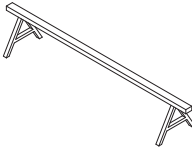
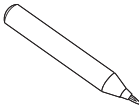
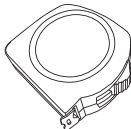
Stratco Shed Windows are available as an optional add-on, available in both Louvre and Sliding variations. Handi-Mate Windows should be purchased along side the Handi-Mate Shed and installed during the Handi-Mate Shed assembly. Refer to the "Window Installation" section if installing a Stratco Window, or visit your local Stratco store for more information.

# HANDI-MATE™ HM2 SLIDING DOOR SHED

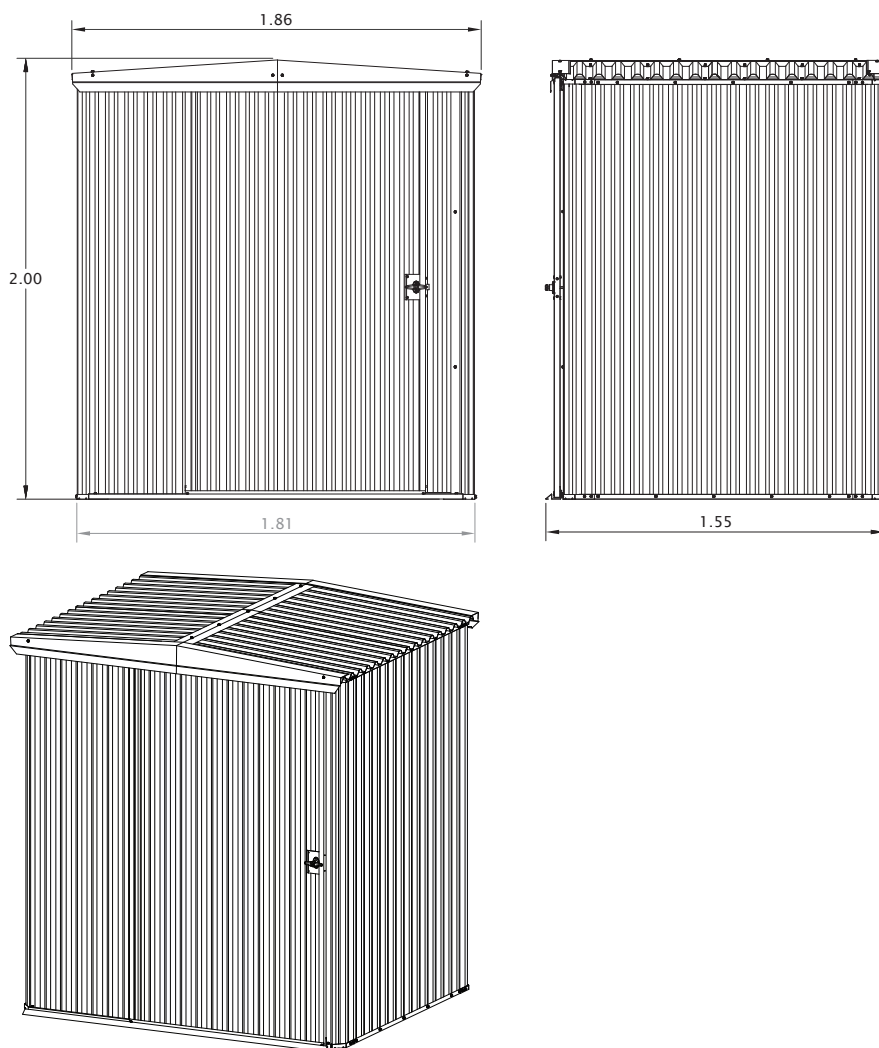
HANDI-MATE™ HM2 SLIDING DOOR SHED INSTALLATION GUIDE

# HANDI-MATE™ HM2 SLIDING DOOR SHED INSTALLATION GUIDE

## TOOLS REQUIRED

Rivet Gun 	Power Drill 	PH2 Phillips Head Bit (Supplied) 	3/16 Hex Head Bit (Supplied) 	Adjustable Spanner 	3.5mm Bit (Supplied) 12mm Bit 10mm Masonry Bit 
Gloves 	Safety Glasses 	Step Ladder 	2 x Trestles 	Permanent Marker 	Tape Measure 

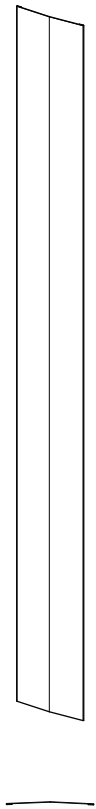
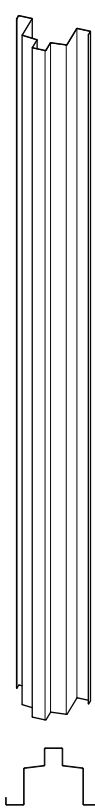
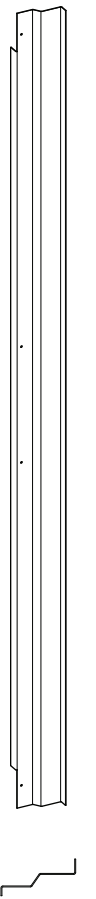
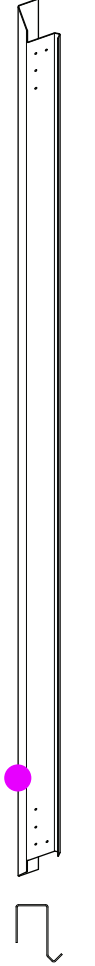
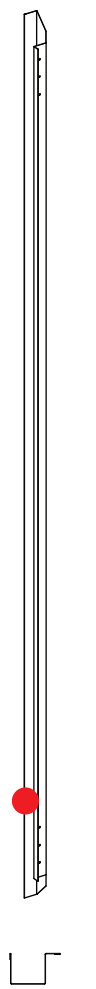
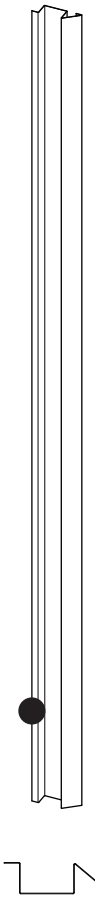
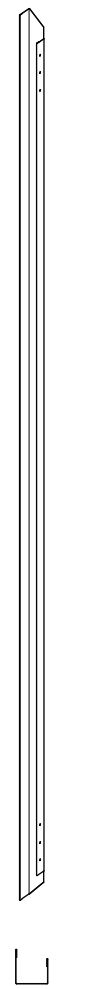
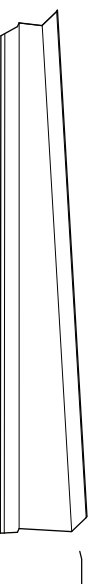
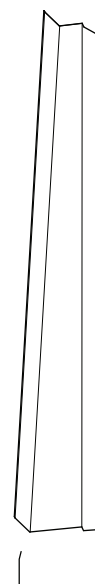
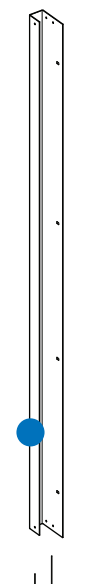
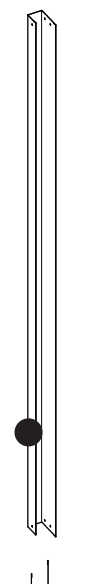
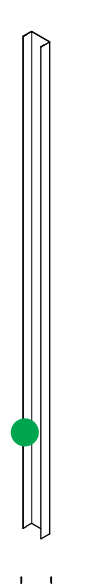
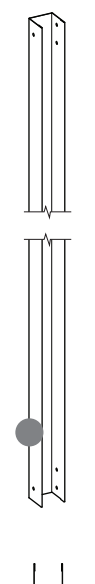
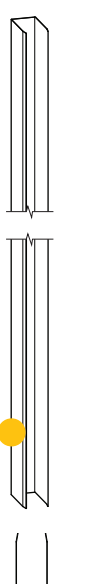
## HANDI-MATE™ DIMENSIONS



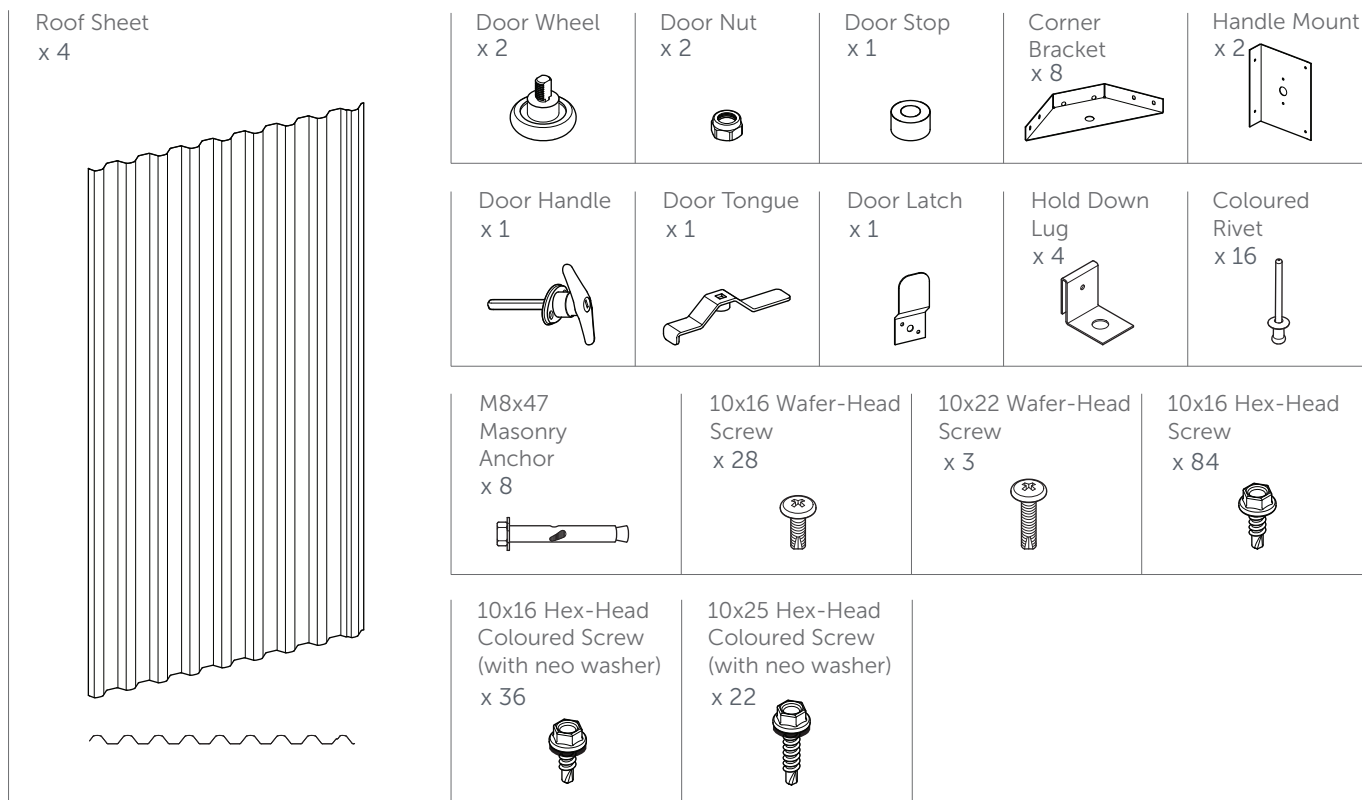
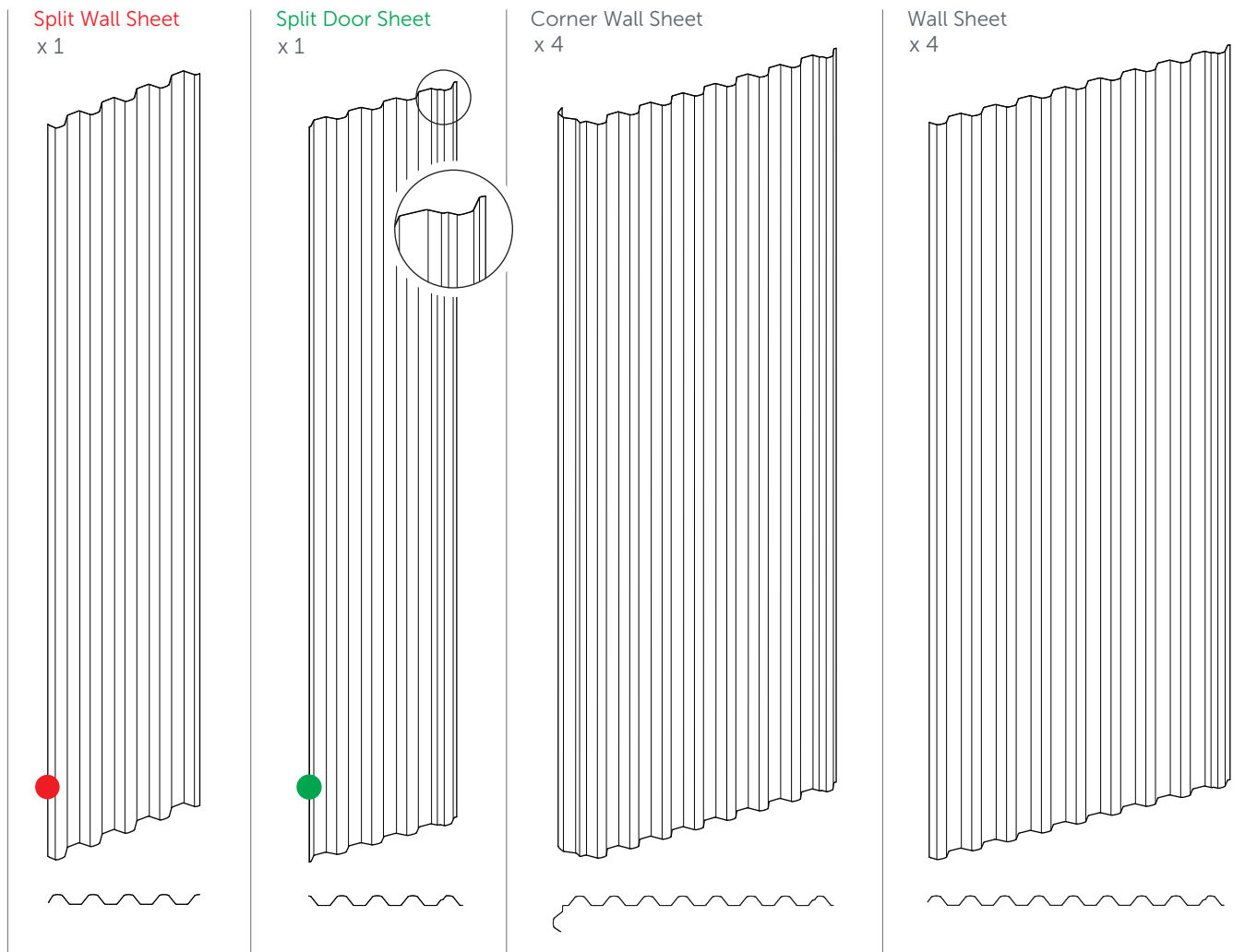
## HANDI-MATE™ SHED WINDOWS

Stratco Handy-Mate Shed Windows are available as an optional add-on. For HM2 size Handy-Mates, the Window can be installed to the centre of the rear wall. Handy-Mate Windows should be installed during the Handy-Mate Shed assembly. Refer to the "Window Installation" section at the end of this document if installing a Stratco Window, or visit a Stratco store for more information.

## COMPONENTS

<p>Ridge Cap x 1</p> 	<p>Ridge Beam x 1</p> 	<p>Barge Support x 1</p> 	<p>Sliding Rail x 1</p> 	<p>Bottom Channel x 1</p> 	<p>Runner Rail x 1</p> 	<p>Wall Channel Short x 4 Long x 2</p> 
<p>L/H Barge Cap x 2</p> 	<p>R/H Barge Cap x 2</p> 	<p>Top Door Channel x 1</p> 	<p>Bottom Door Channel x 1</p> 	<p>Door Shroud x 1</p> 	<p>Vertical Door Channel x 2</p> 	<p>Door Jamb x 2</p> 

## COMPONENTS



## ASSEMBLY HANDY HINTS

The 'Sheet Crest', as referenced throughout this guide, refers to the curved top faces of the sheet.

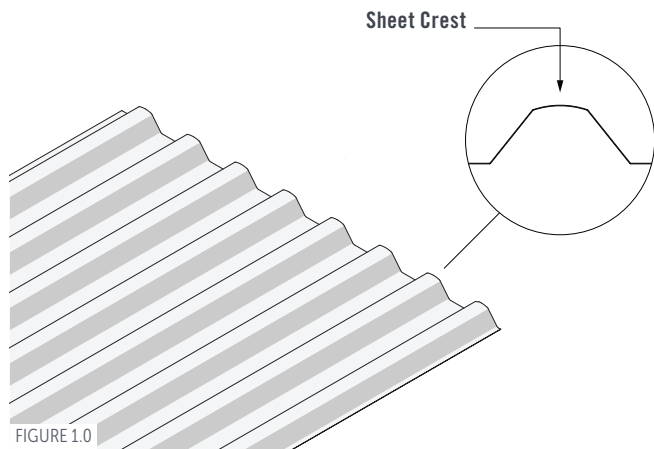


FIGURE 1.0

When assembling the Wall and Door Sheets, lay the sheets down on trestles/blocks (Figure 1.1). This will make assembly easier and reduce the risk of damage to components.

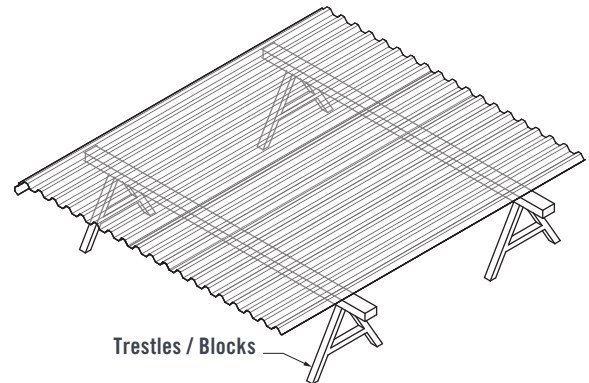


FIGURE 1.1

(Optional) Drainage holes can be drilled to help trapped water flow out of the bottom Wall Channels. After assembling the Walls, drill 6mm holes spaced approximately 350mm apart through the bottom Wall Channels of each Wall. Ensure holes are located in-between Sheet crests. Ensure metal filings are removed from the channels as to prevent rust spots from forming.

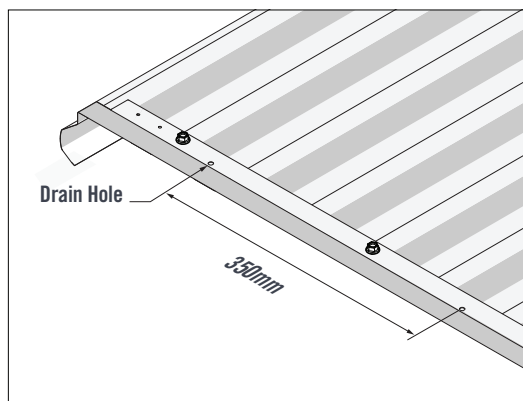
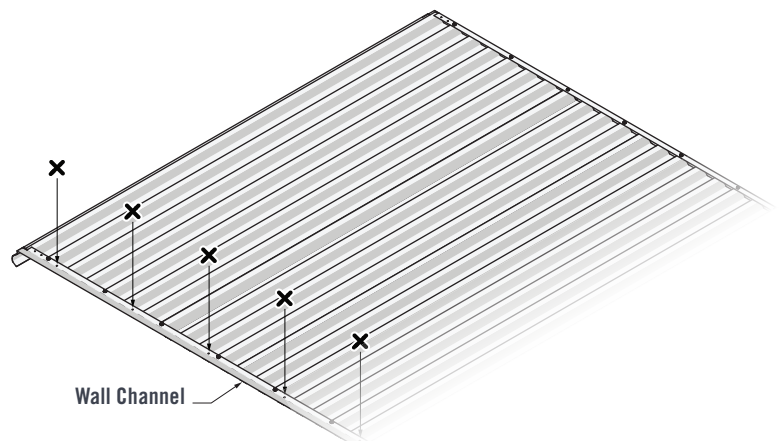


FIGURE 1.2



## REAR WALL ASSEMBLY

### Stratco Handi-Mate Windows

Refer to the "Window Installation" section at the end of this document if installing a Stratco Window, or visit a Stratco store for more information.

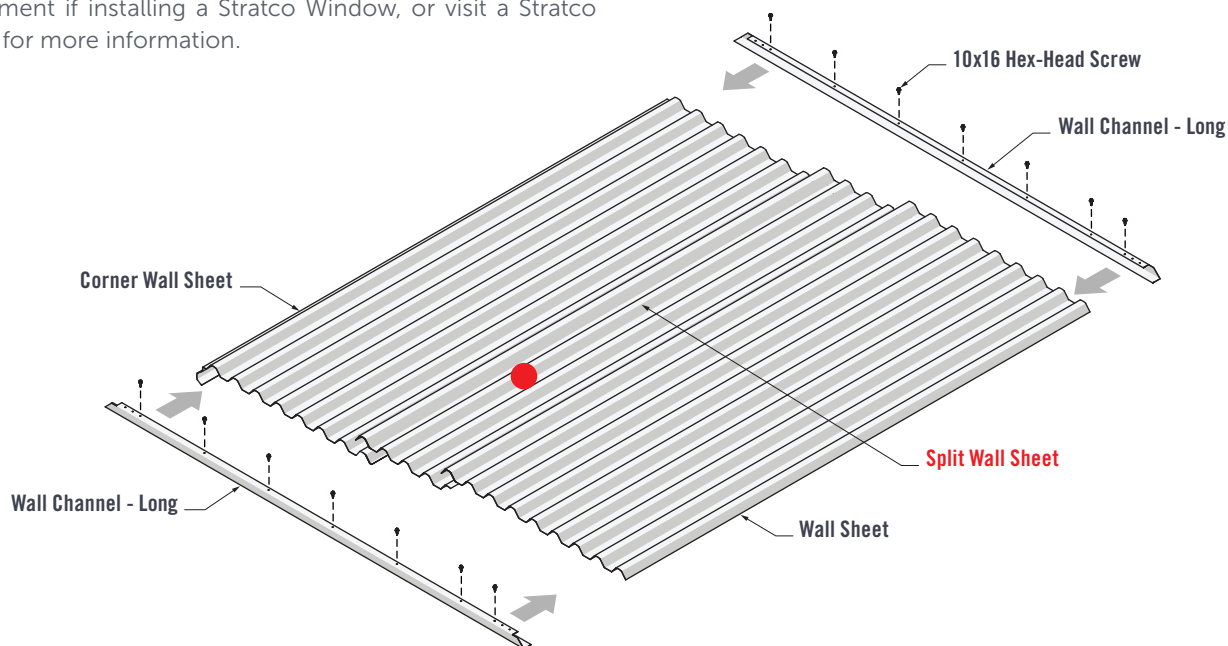


FIGURE 2.0

Using Trestles or Blocks to support the sheets, lay the Corner Wall Sheet down first. Then lay down the Split Wall Sheet and Wall Sheet. Pay attention to the 'overlap' and 'underlap' lapping details (Figure 2.1).

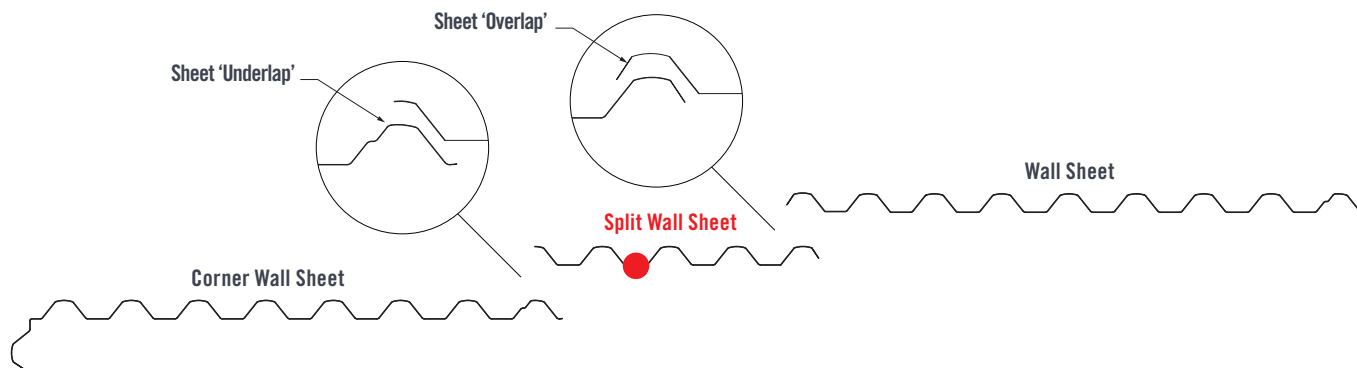


FIGURE 2.1

1. Fit the Wall Channel (Long) over the lapped Wall Sheets. The end of the Wall Channel should fit up against the end of the Corner Wall Sheet (Figure 2.2).
2. Wall Channels have three pilot holes in each end. Fasten through the third pilot hole of both Wall Channel ends and into the Wall Sheet crests. Fasten through the Wall Channels and into every third Wall Sheet crest using five 10x16 Hex-Head Screws in each Wall Channel (Figure 2.2).

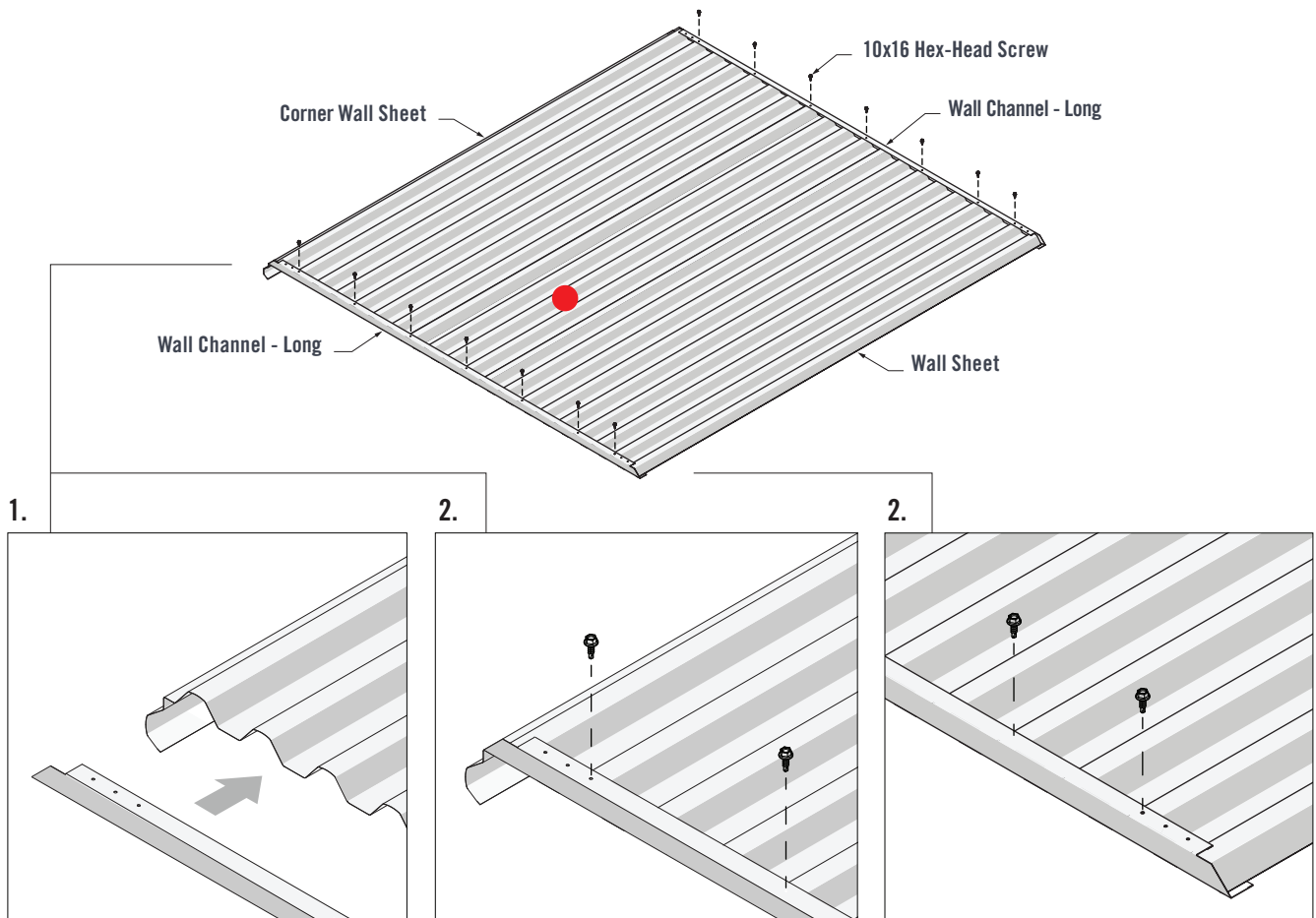


FIGURE 2.2

## SIDE WALL ASSEMBLY

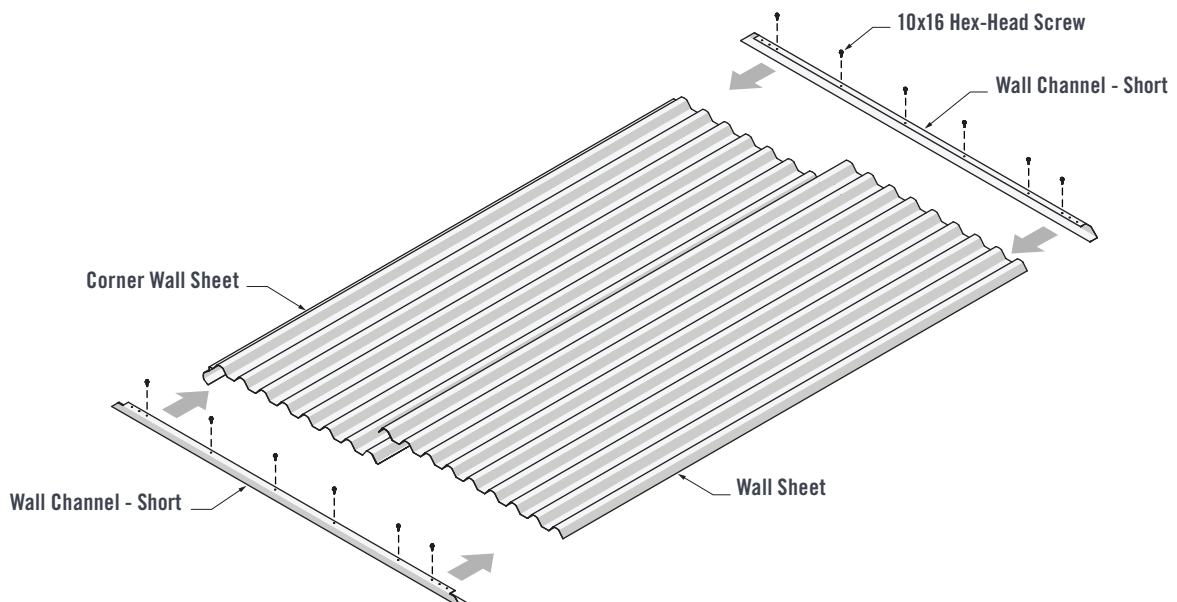


FIGURE 3.0

# HANDI-MATE™ HM2 SLIDING DOOR SHED INSTALLATION GUIDE

Using Trestles or Blocks to support the Sheets, lay down the Corner Wall Sheet and Wall Sheet (Figure 3.1).

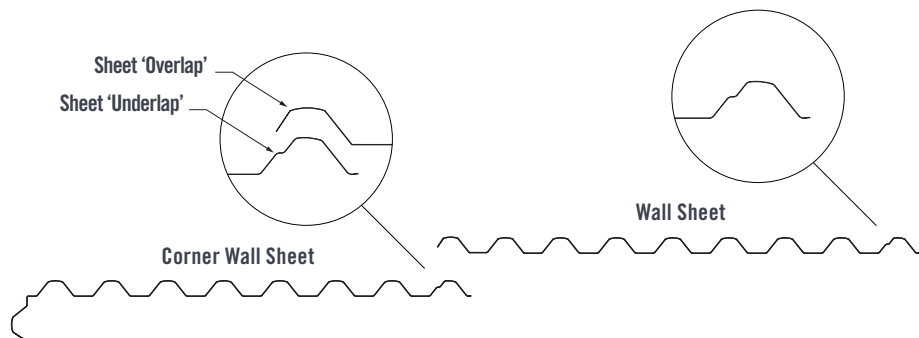


FIGURE 3.1

1. Fit the Wall Channel (Short) over the lapped Wall Sheets. The end of the Wall Channel should fit up against the end of the Corner Wall Sheet (Figure 3.2).
2. Fasten through the third pilot hole of both Wall Channel ends and into the Wall Sheet crests. Fasten through the Wall Channels and into every third Wall Sheet crest using four 10x16 Hex-Head Screws in each Wall Channel (Figure 3.2).

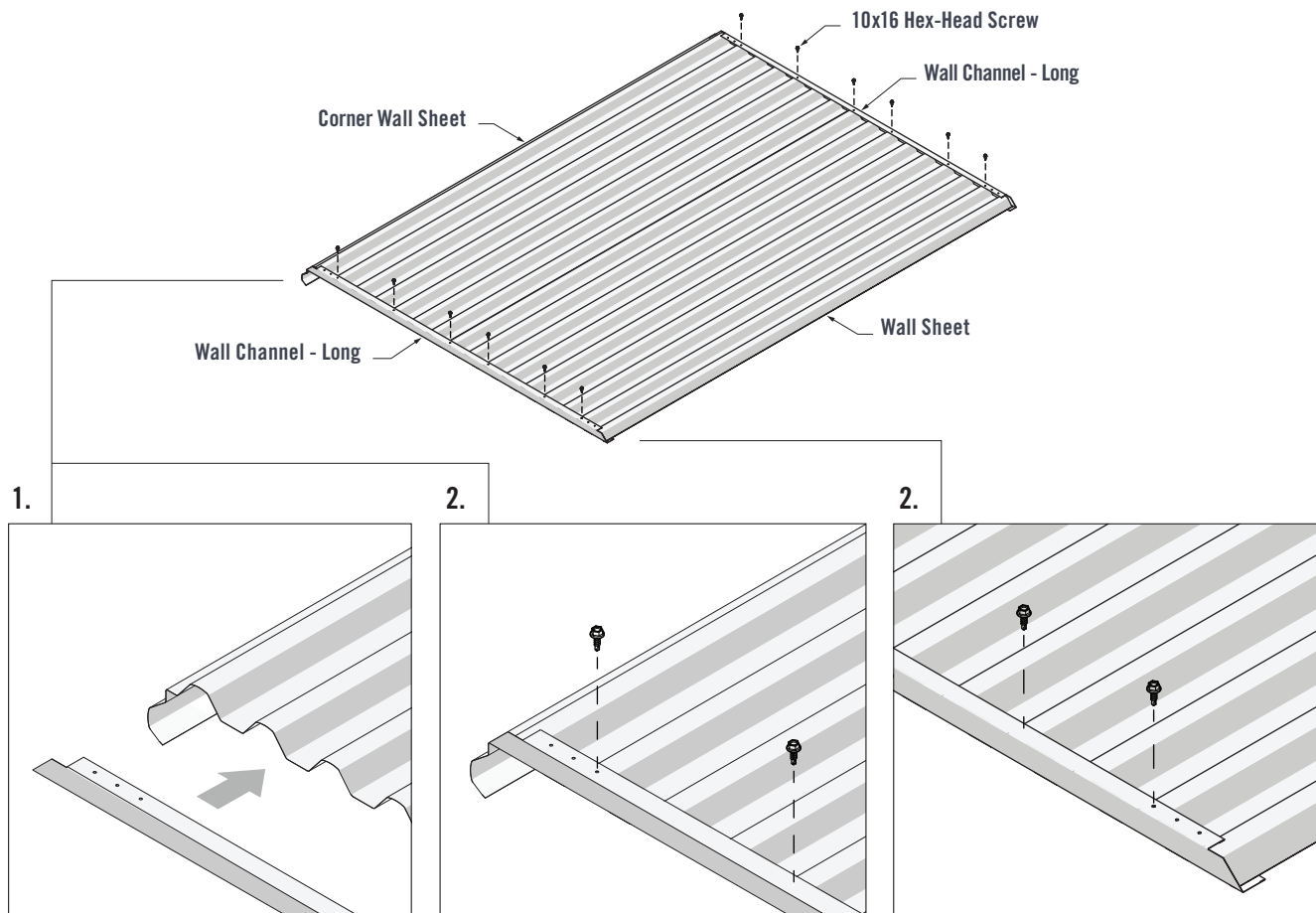


FIGURE 3.2

## SECOND SIDE WALL ASSEMBLY

Repeat steps in Figures 3.0 - 3.2 to make a second Side Wall Assembly.



## FRONT WALL ASSEMBLY

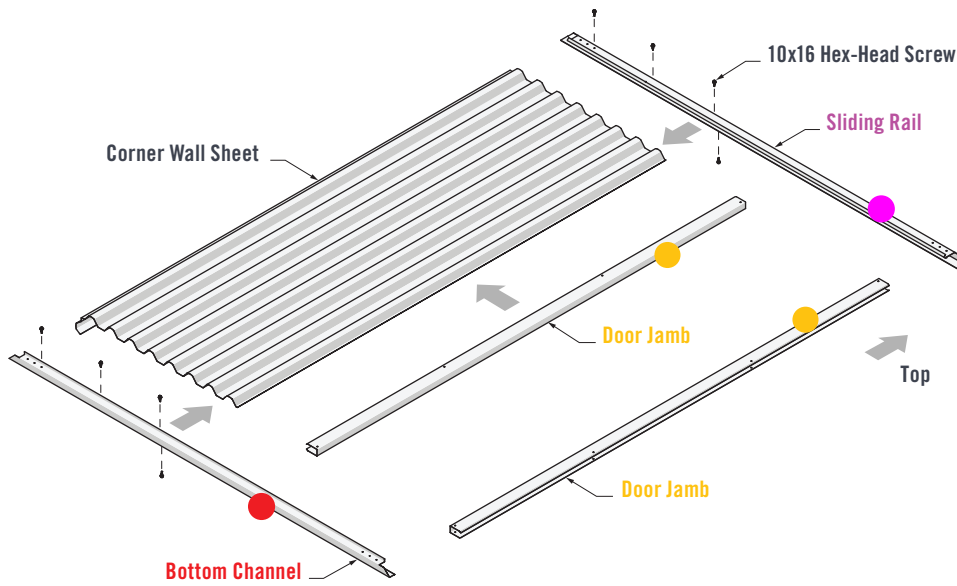


FIGURE 4.0

Using Trestles or Blocks to support the Sheets, lay the Corner Wall Sheet down (Figure 4.1).

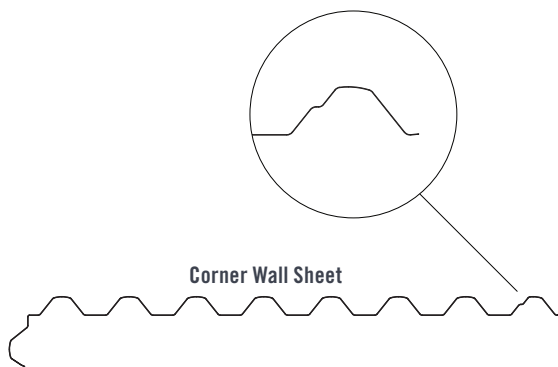


FIGURE 4.1

1. Fit the **Bottom Channel** and **Sliding Rail** over the Corner Wall Sheet. The end of the **Bottom Channel** and **Sliding Rail** should fit up against the ends of the Corner Wall Sheet (Figure 4.2).
2. Fasten one 10x16 Hex-Head Screw through the third pilot hole of the **Bottom Channel** and **Sliding Rail** and into the Corner Wall Sheet crest. Fasten one 10x16 Hex-Head Screw through the **Bottom Channel** and **Sliding Rail** and into the third Corner Wall Sheet crest (Figure 4.2).

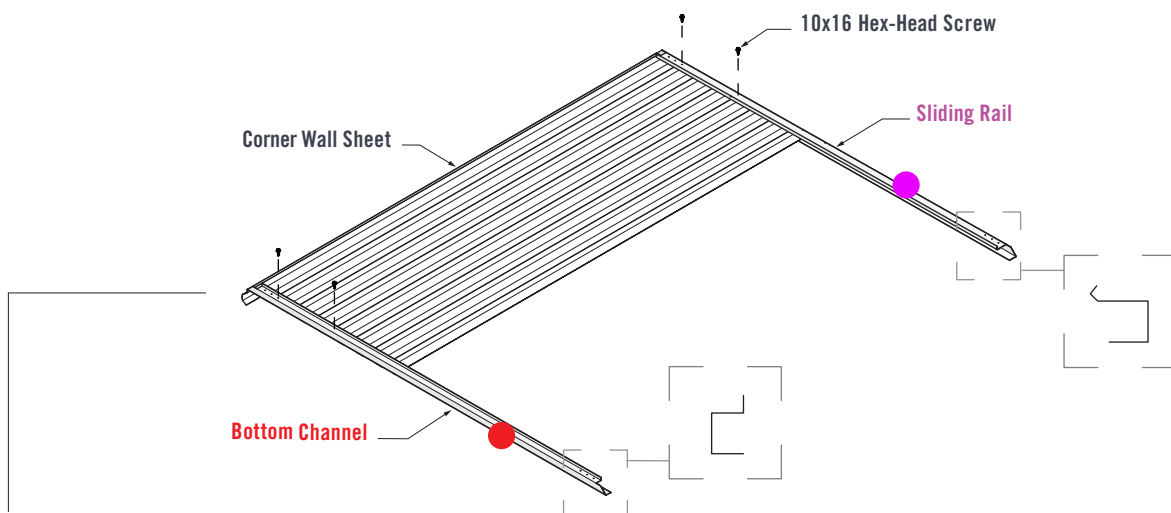


FIGURE 4.2 - CONTINUED NEXT PAGE

# HANDI-MATE™ HM2 SLIDING DOOR SHED INSTALLATION GUIDE

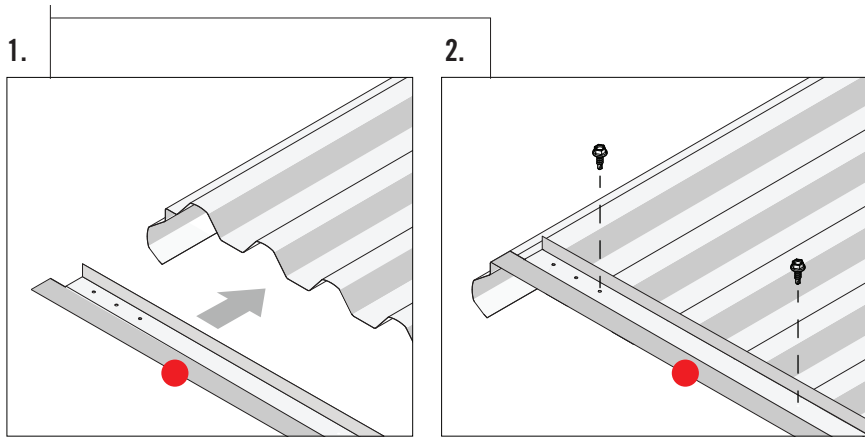


FIGURE 4.2

1. Fit the **Door Jamb** over the **Corner Wall Sheet**, ensuring it is inside the **Bottom Channel** and **Sliding Rail** (Figure 4.3).
2. Fasten two **10x16 Hex-Head Screws** through the pilot holes of the **Sliding Rail** and into the **Door Jamb**. Fasten two **10x16 Hex-Head Screws** through the **Bottom Channel** and into the **Door Jamb** (Figure 4.3).

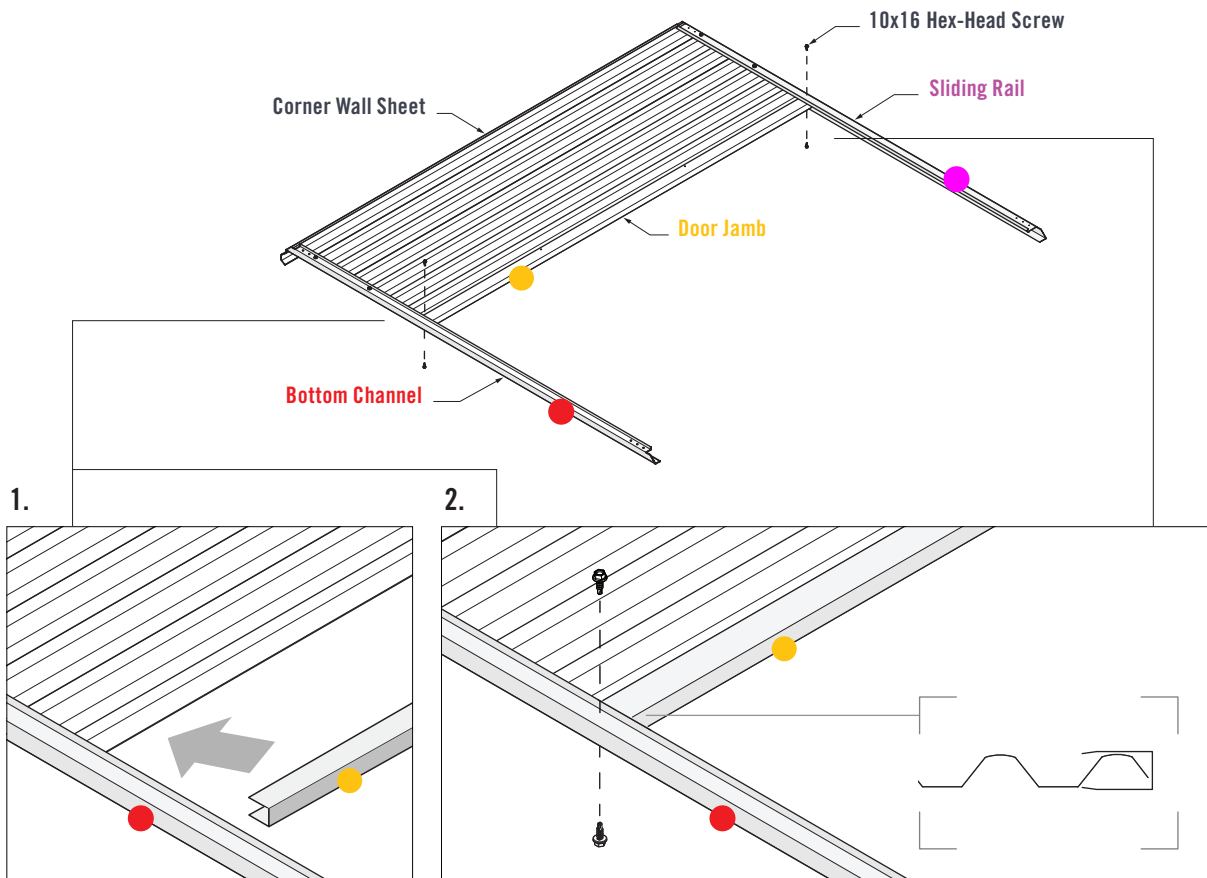


FIGURE 4.3

Slide the other Door Jamb approximately 150mm into the Bottom Channel and Sliding Rail. Ensure the open end of the Door Jamb is facing away from the sheets (Figure 4.4).

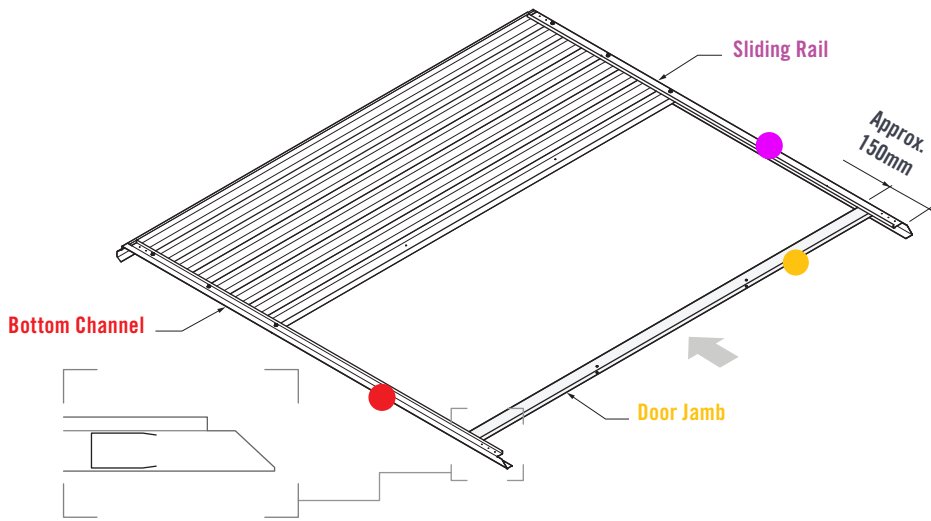


FIGURE 4.4

## DOOR ASSEMBLY

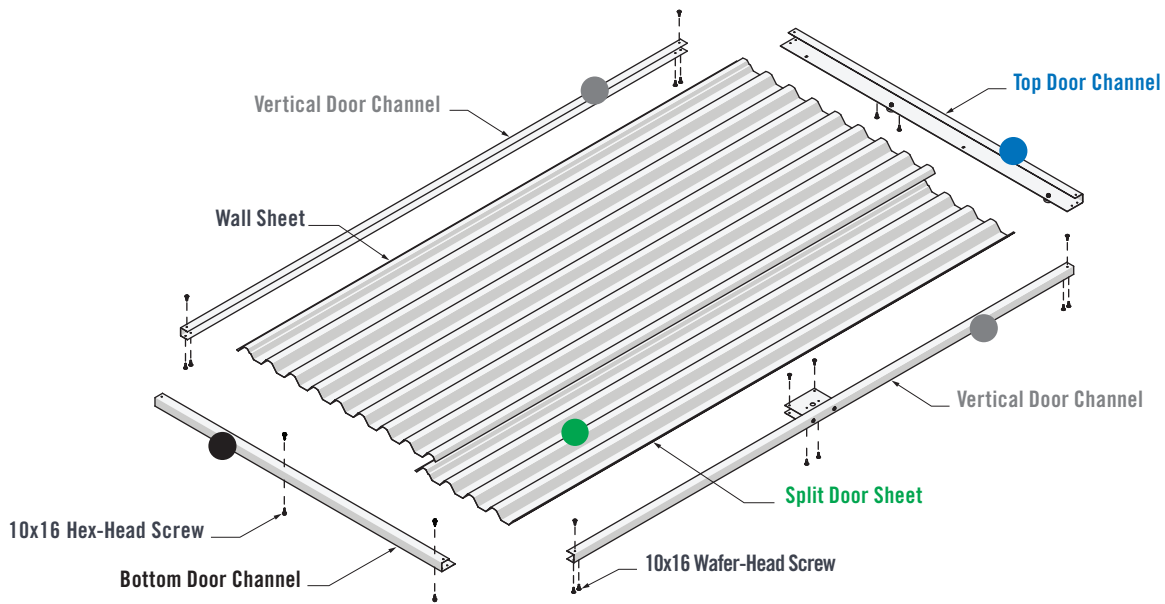


FIGURE 5.0

Fix the two Door Wheels to the Top Door Channel using Door Nuts (Figure 5.1).

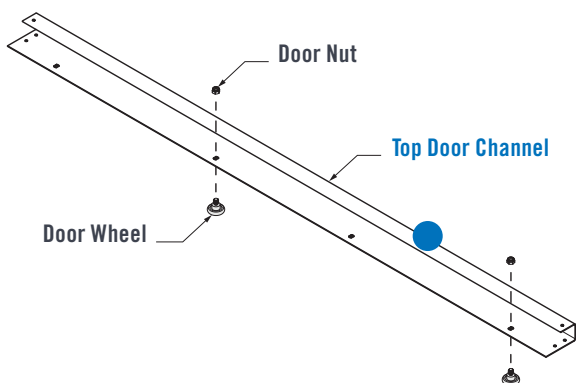


FIGURE 5.1

Fit the two Handle Mounts into the Vertical Door Channel (Figure 5.2). The two Handle Mounts are the same component, so can be installed in either order.

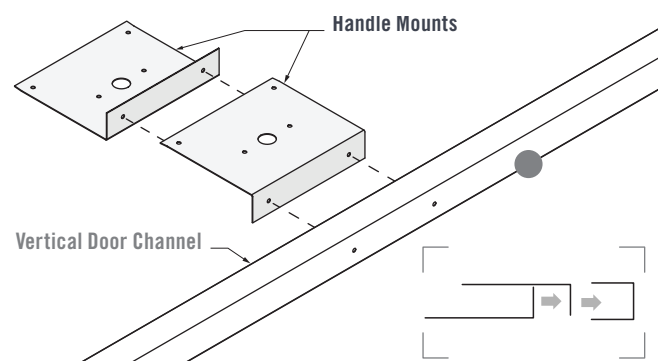


FIGURE 5.2

# HANDI-MATE™ HM2 SLIDING DOOR SHED INSTALLATION GUIDE

Fasten two 10x16 Wafer-Head Screws through the Vertical Door Channel and into the Handle Mounts (Figure 5.3).

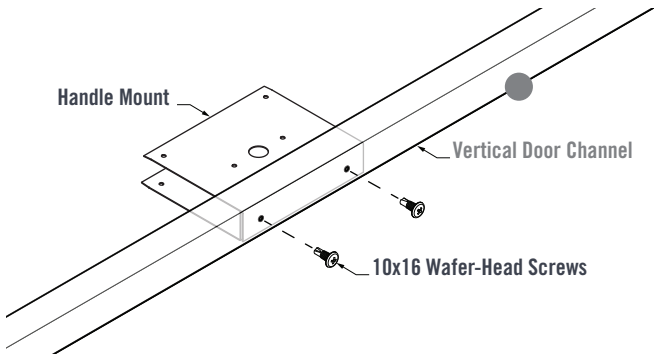


FIGURE 5.3

Using Trestles or Blocks to support the Sheets, lay down the Split Door Sheet and Wall Sheet. Pay attention to lapping details (Figure 5.4).

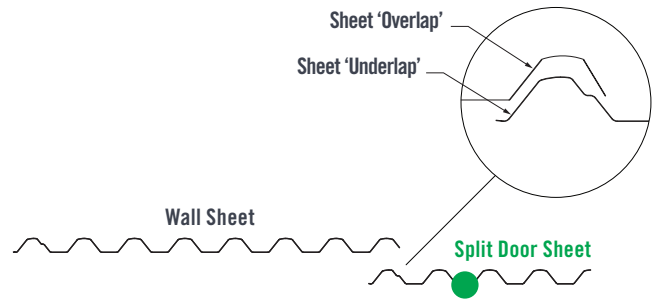


FIGURE 5.4

1. Fit the Vertical Door Channels over the side of the door sheets, then fit the Top and Bottom Door Channels over the door sheet ends. Ensure the lip of the Top and Bottom Door Channels fit over the Vertical Door Channels (Figure 5.5).
2. Fasten one 10x16 Wafer-Head Screw through the pilot holes in the corner of each Top & Bottom Channel and into the Vertical Door Channels (Figure 5.5).
3. Crest-fix two 10x16 Wafer-Head Screws through the pilot holes in the Handle Mount and into the Split Door Sheet (Figure 5.5).

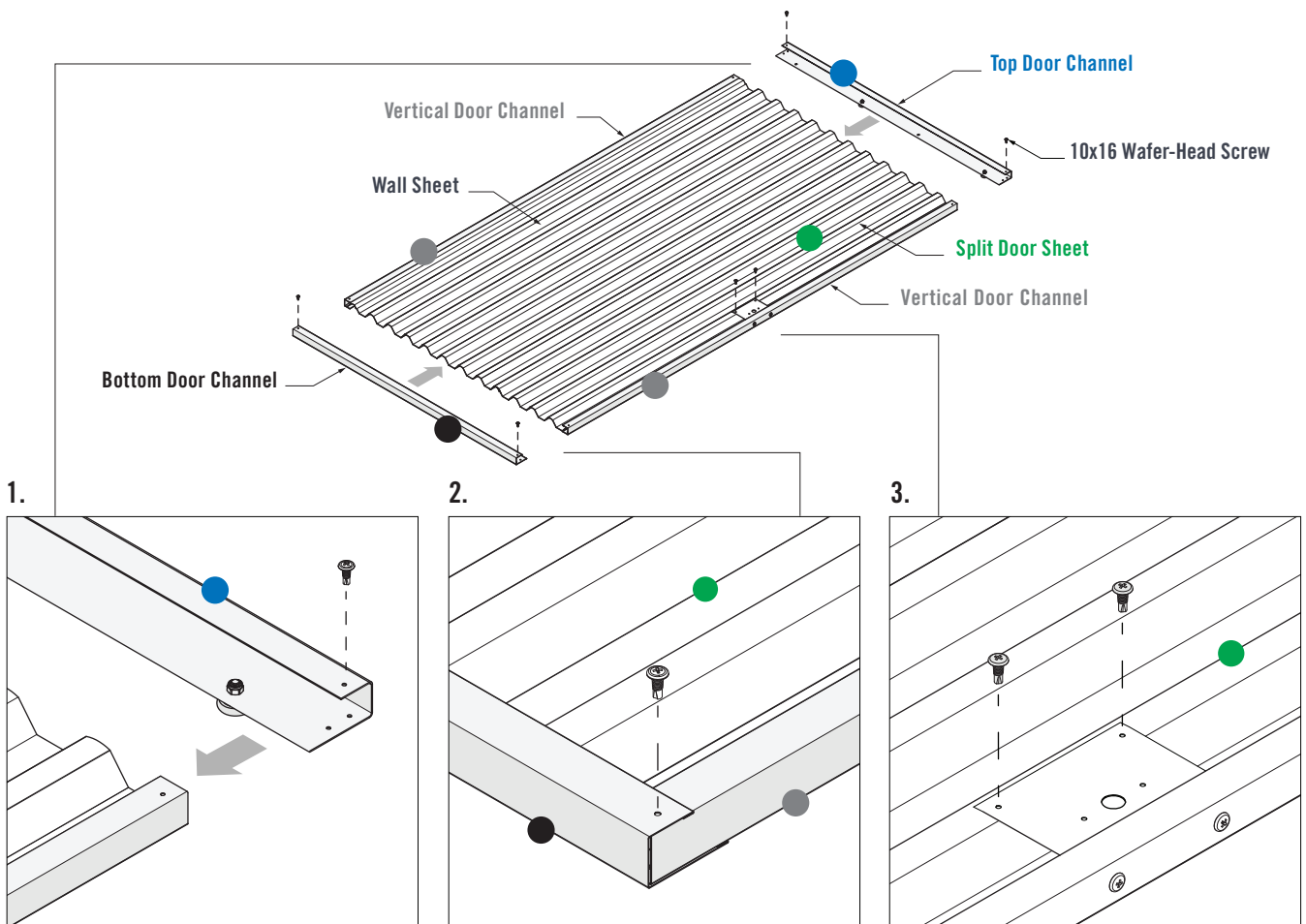


FIGURE 5.5

1. Fasten a 10x16 Hex-Head Screw into the mid-point of the Bottom Door Channel. Ensure the screw is fastened approximately 10mm from the bottom face of the Channel. Fasten a 10x16 Hex-Head Screw near the Handle Mount end of the Bottom Door Channel. Flip over the Door Assembly so that the underside is now facing up. Fasten two more 10x16 Hex-Head Screws in the same manner on the opposite side of the Bottom Door Channel (Figure 5.6).
2. Using the holes in the Handle Mounts as a guide, drill a  $\varnothing 3.5$ mm pilot hole, then  $\varnothing 12$ mm hole through the Wall Sheet (Figure 5.6).
3. Fasten two 10x16 Wafer-Head Screws through pilot holes in the Top and Bottom Door Channels and into the Vertical Door Channels at all four corners (Figure 5.6).
4. Fasten a 10x16 Wafer-Head Screw through the Top Door Channel and into the two Sheet Crests on both sides of the Door Wheel (Figure 5.6).

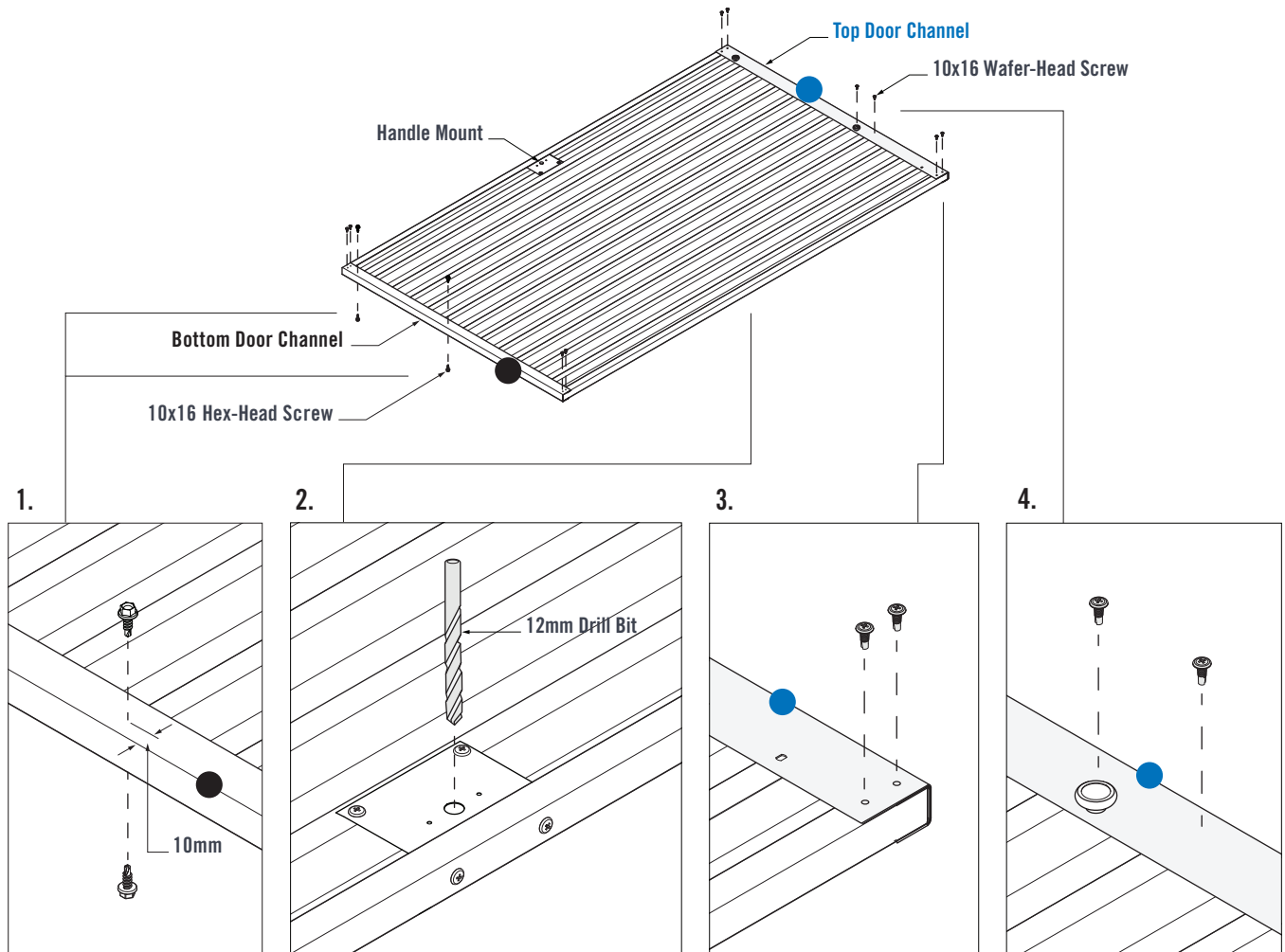


FIGURE 5.6

## JOINING WALL ASSEMBLIES

The wall assemblies can now be joined together. Fit the Corner Wall Sheet of the Front Wall over the Side Wall Sheet. Ensure the Corner Sheet fits inside the Side Wall Channels.

1. Fit a Corner Bracket over the top Channels. Ensure the pilot holes of the Corner Bracket and Channels line up (Figure 6.0).
2. Fasten through the Corner Bracket pilot holes and into the top Channels using four 10x16 Hex-Head Screws (Figure 6.0).
3. Fit a Corner Bracket to the bottom Wall Channels. Fasten through the Corner Bracket pilot holes and into the bottom Wall Channels using four 10x16 Hex-Head Screws (Figure 6.0).

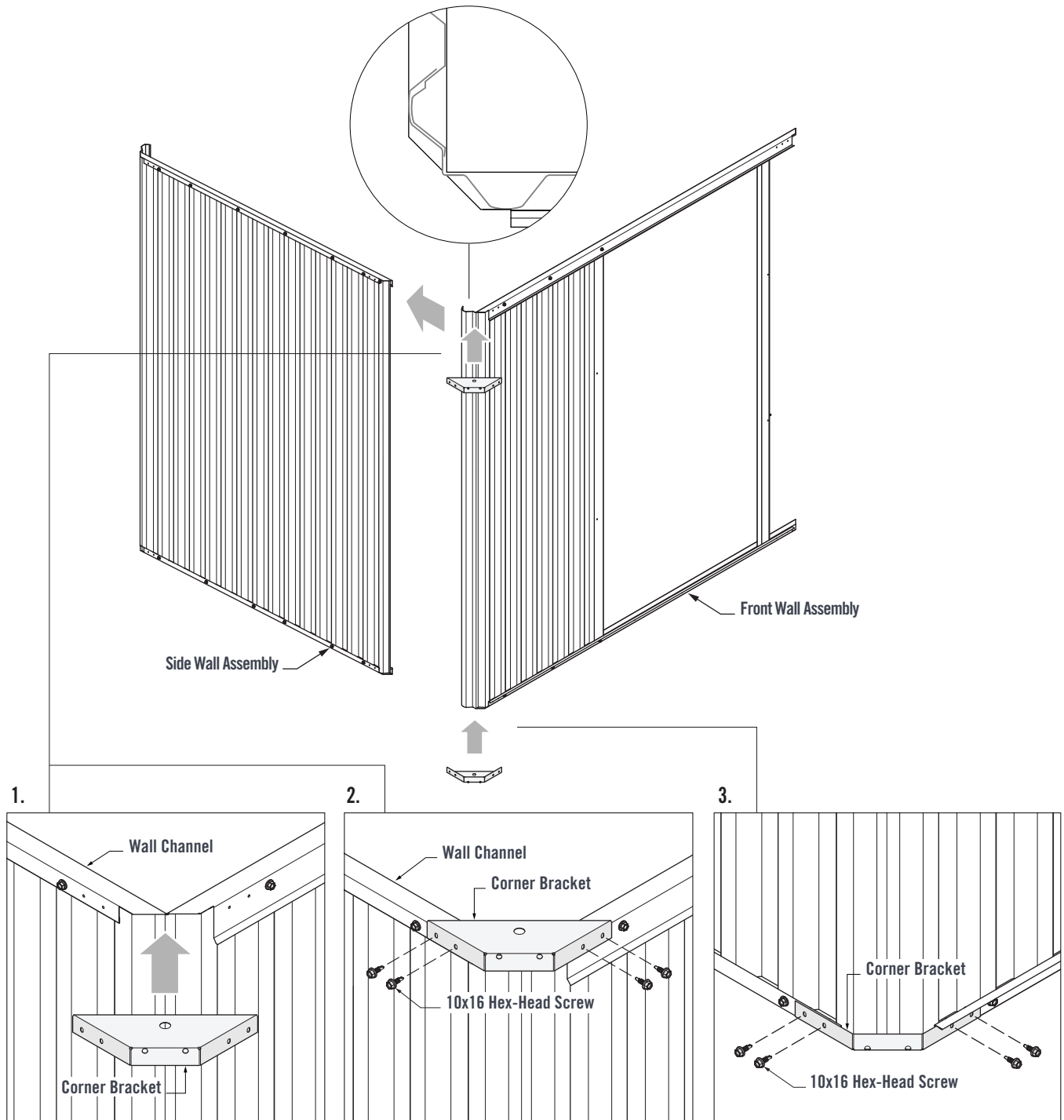


FIGURE 6.0

Fit the Remaining Wall Assemblies together with Corner Brackets as per Figure 6.0.

1. Before fixing the Right Side Wall to the Front Wall, the **Door Jamb** must be moved into position. Slide the **Door Jamb** over the corner of the Right Wall Sheet (Figure 6.1).
2. Use the **Door Shroud** as a guide to set the correct spacing between the **Door Jamb**s. Fit the Corner Bracket as per Figure 6.0.

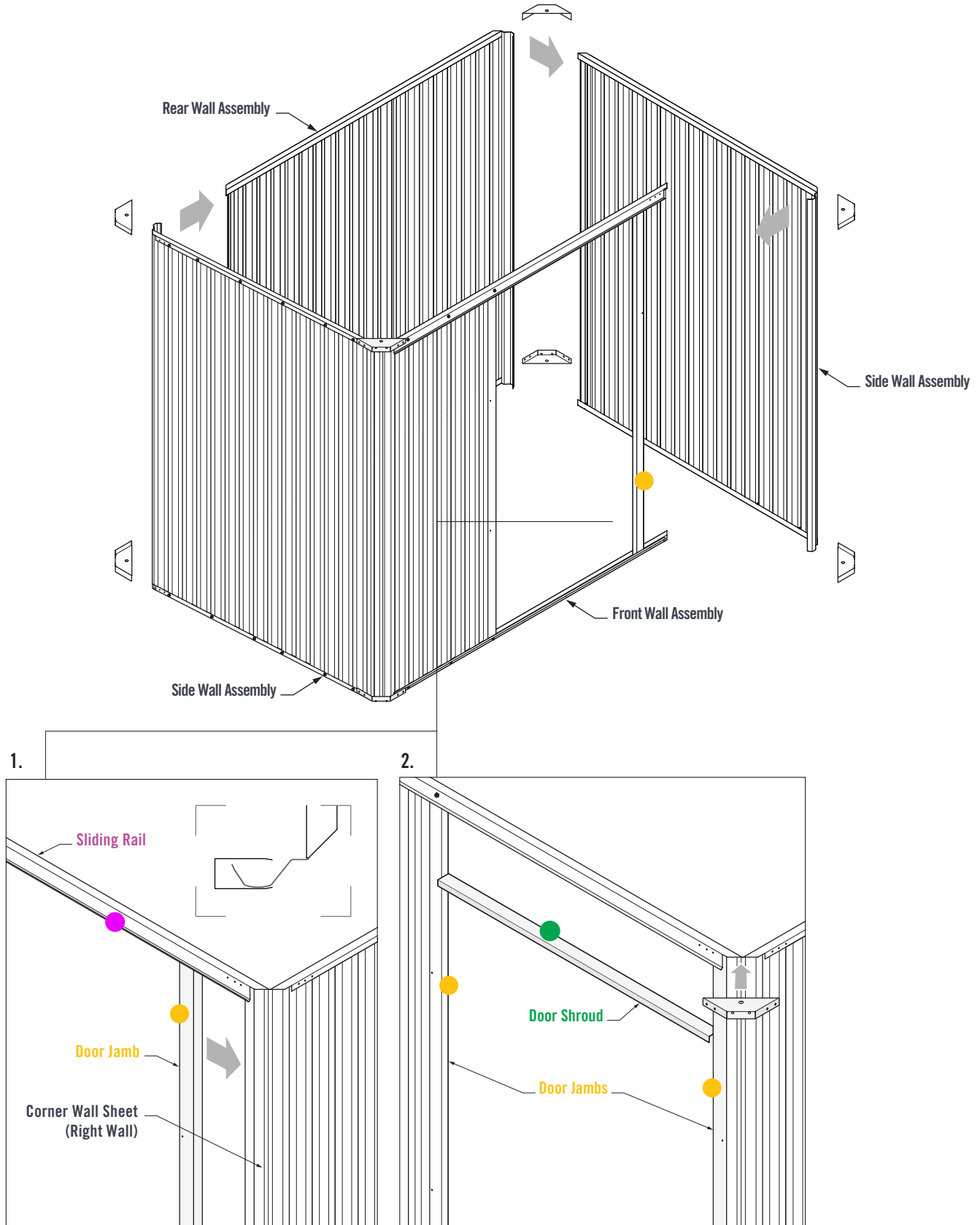


FIGURE 6.1

# HANDI-MATE™ HM2 SLIDING DOOR SHED INSTALLATION GUIDE

1. Fit the Barge Support over the **Sliding Rail**. Fasten four 10x16 Hex-Head Screws through the pilot holes in the Barge Support and into the **Sliding Rail** (Figure 6.2).
2. Fit the Runner Rail over the **Bottom Channel**. Ensure the end of the Runner Rail is in line with the edge of the Corner Bracket. Fasten three 10x16 Hex-Head Screws through pilot holes in the Runner Rail and into the **Bottom Channel** (Figure 6.2).
3. Fasten two 10x16 Hex-Head Screws through the pilot holes of both **Door Jambs** and into the Wall Sheets (Figure 6.2).

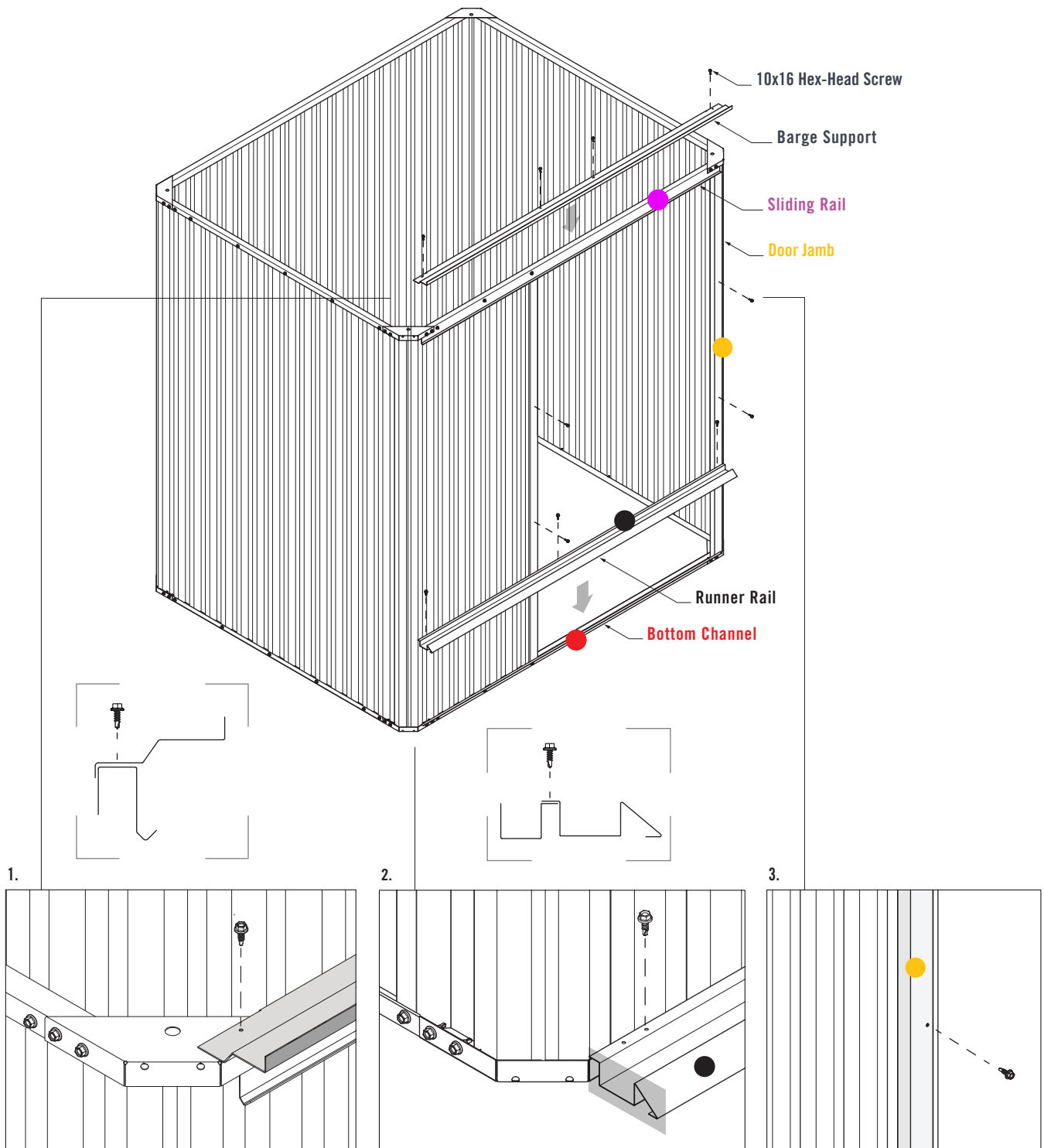


FIGURE 6.2



Check the walls are square. Check the diagonal measurements from corner to corner. The diagonal measurements should be equal for the walls to be square.

Note: Shed anchoring requirements are determined by the wind zone the Handi-Mate is installed in. Contact a Stratco store for further information or to determine your wind zone.

The recommended anchor spacing in Figure 6.3 below, where anchor points are no greater than 900mm apart, will satisfy engineering requirements for N1, N2 and N3 wind zones.

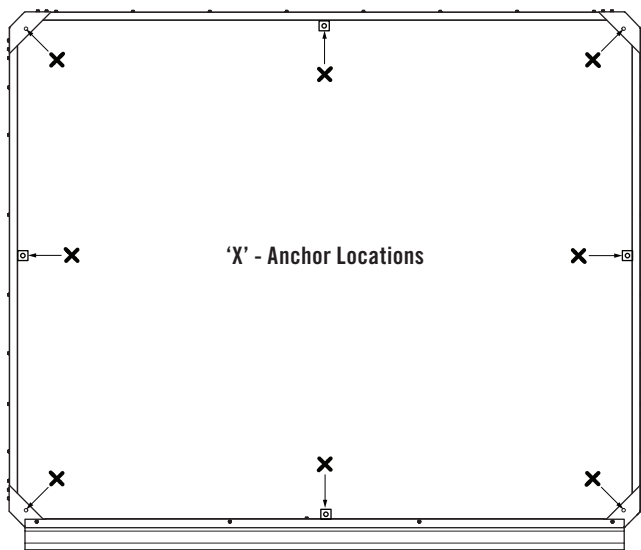


FIGURE 6.3

Using the Corner Bracket pilot holes as a guide, drill holes in all four corners with a 10mm masonry drill bit. Secure all four bottom Corner Brackets to the concrete base with M8x47 Masonry Anchors (Figure 6.4).

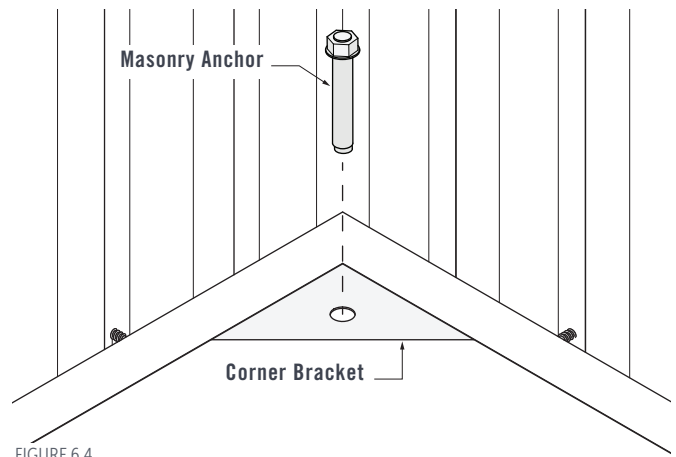


FIGURE 6.4

Fit a Hold Down Lug at the middle of all four Wall Channels. Fasten one 10x16 Hex-Head Screw through all four Hold Down Lugs into the Wall Channels and Wall Sheets. Fix all four Hold Down Lugs to the concrete base with M8x47 Masonry Anchors (Figure 6.5).

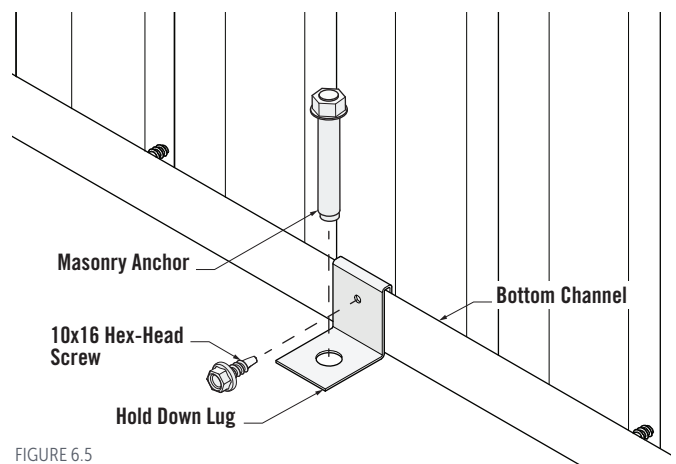


FIGURE 6.5

## ROOF ASSEMBLY

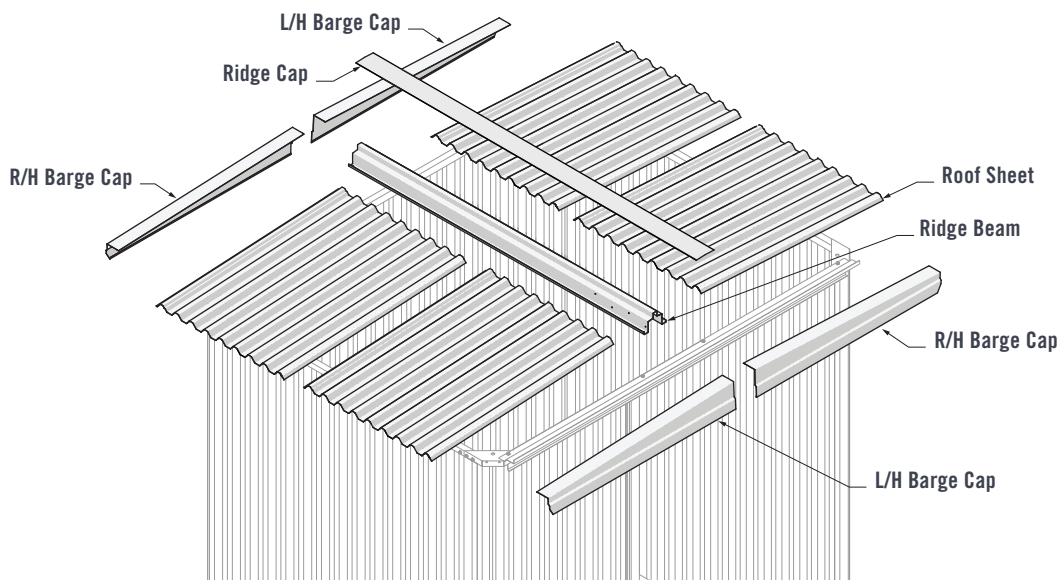


FIGURE 7.0

# HANDI-MATE™ HM2 SLIDING DOOR SHED INSTALLATION GUIDE

Fit the Ridge Beam onto the top Wall Channel and Barge Support. Ensure 835mm spacing between the edge of the shed and edge of the Ridge Beam (Figure 7.1).

1. Align the end of the Ridge Beam with the step of the Barge Support. Fasten two 10x16 Hex-Head Screws through the pilot holes in the Ridge Beam and into the Barge Support (Figure 7.1).
2. Fasten two 10x16 Hex-Head Screws through the pilot holes in the Ridge Beam and into the rear Wall Channel (Figure 7.1).

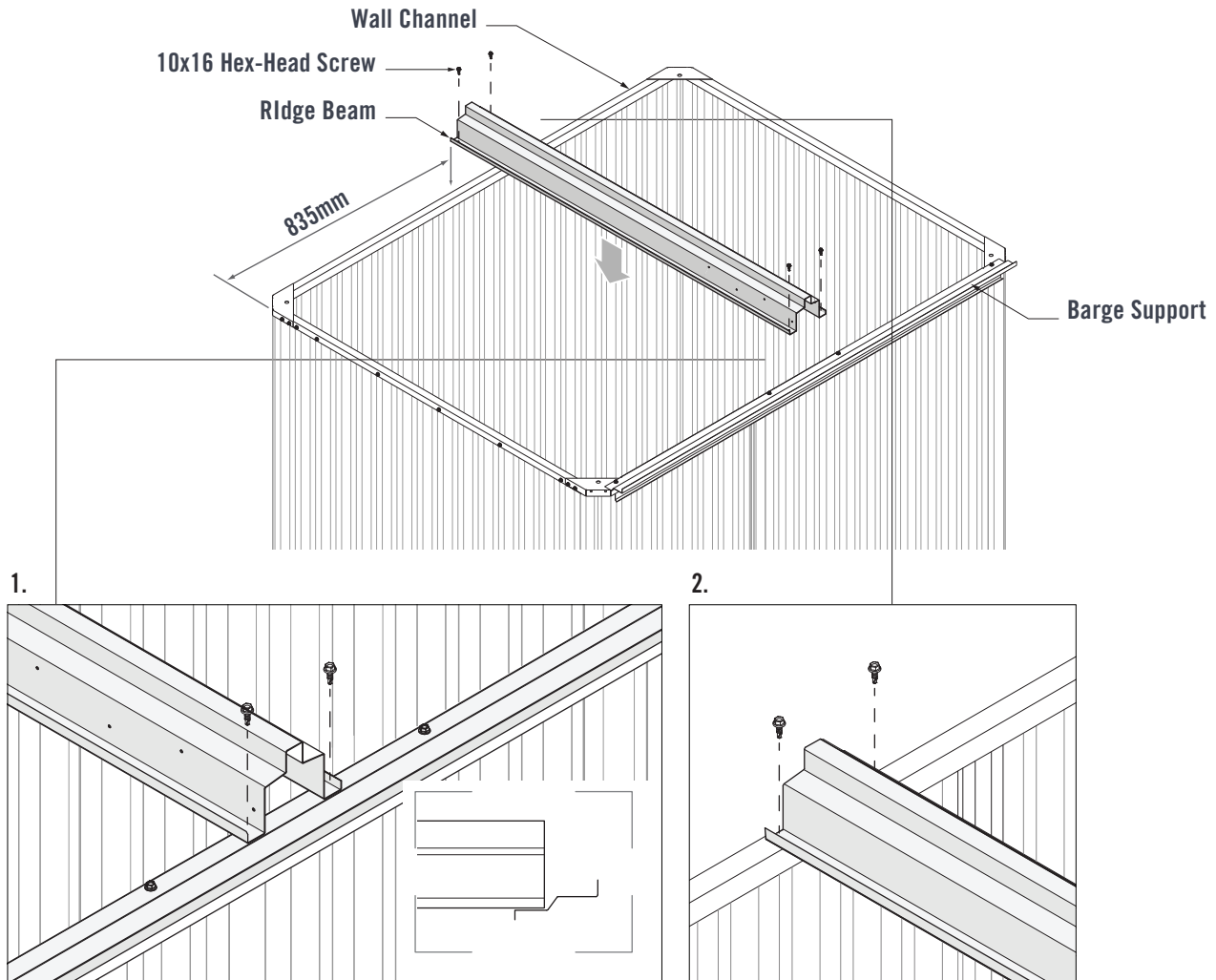


FIGURE 7.1

Use an adjustable spanner to turn up the pans at the ridge end of the Roof Sheets. This will prevent water flowing back under the sheet (Figure 7.2).

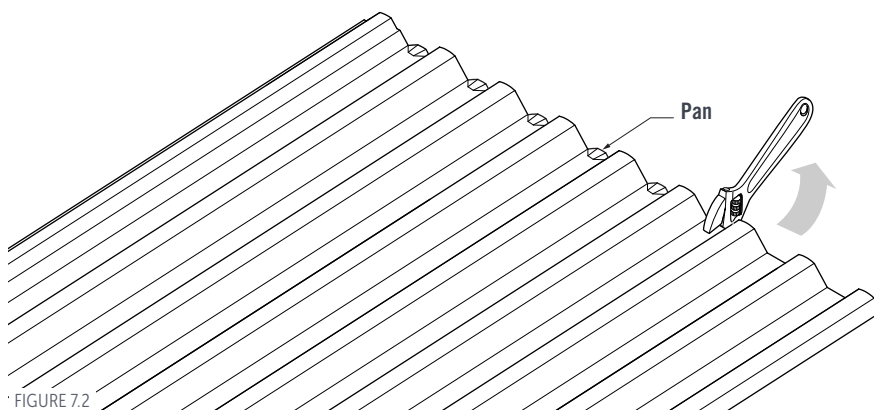


FIGURE 7.2

Refer to the sheet layout below when installing Roof Sheets (Figure 7.3).

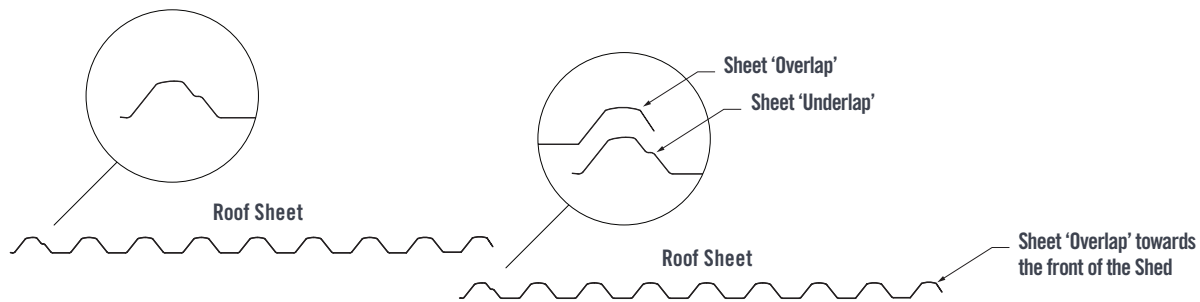


FIGURE 7.3

Lay a Roof Sheet onto the Ridge Beam and Wall channel, ensuring the overlap end of the Roof Sheet is facing the front of the shed (Figure 7.4).

1. Ensure the middle of the Roof Sheet crest is in-line with the end of the Ridge Beam (Figure 7.4)
2. Ensure the Roof Sheet is hard against the step of the Ridge Beam. Fasten five 10x16 Hex-Head Screws with Neo Washers through the pans of the Roof Sheet and into the Ridge Beam (Figure 7.4).
3. Fasten five 10x16 Hex-Head Screws with Neo Washers through the pans of the Roof Sheet and into the Wall Channel (Figure 7.4).

Install the opposing side Roof Sheet in the same manner.

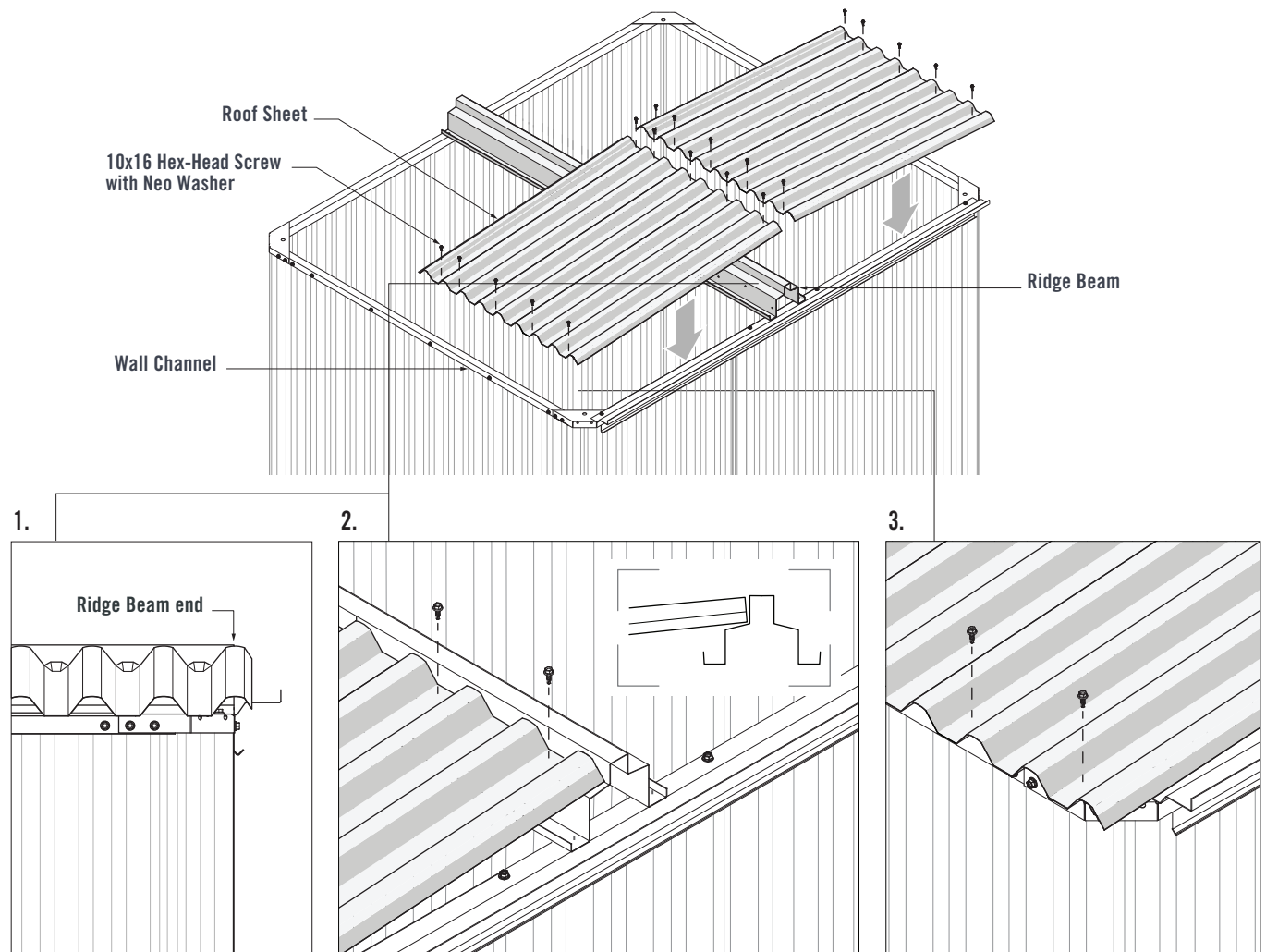


FIGURE 7.4

## HANDI-MATE™ HM2 SLIDING DOOR SHED INSTALLATION GUIDE

Refer to Figure 7.3 for Sheet layout. Lay the next Roof Sheet onto the Ridge Beam and Wall channel, ensuring the overlap end of the Roof Sheet is facing the front of the shed (Figure 7.5).

1. Ensure the Roof Sheet is hard against the step of the Ridge Beam. Fasten five 10x16 Hex-Head Screws with Neo Washers through the pans of the Roof Sheet and into the Ridge Beam (Figure 7.5).

2. Fasten five 10x16 Hex-Head Screws with Neo Washers through the pans of the Roof Sheet and into the Wall Channel (Figure 7.5).

Install the opposing side Roof Sheet in the same manner.

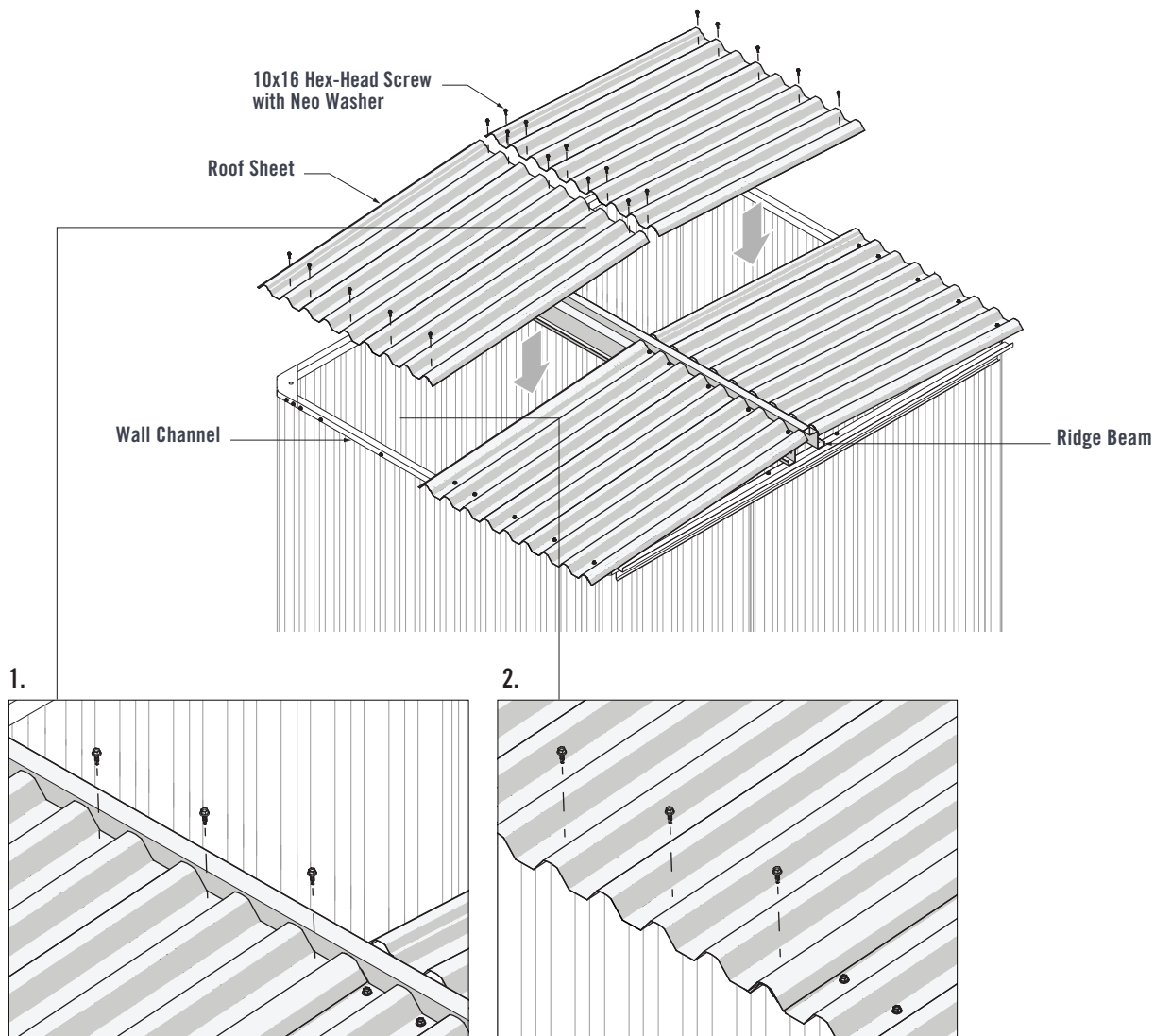


FIGURE 7.5

Position the Ridge Cap over the Ridge Beam. The outside edge of the Ridge Cap should line up with the outer face of the Barge Support (Figure 7.6).

Fasten the Ridge Cap to the Ridge Beam using four 10x16 Hex-Head Screws with Neo Washers (Figure 7.6).

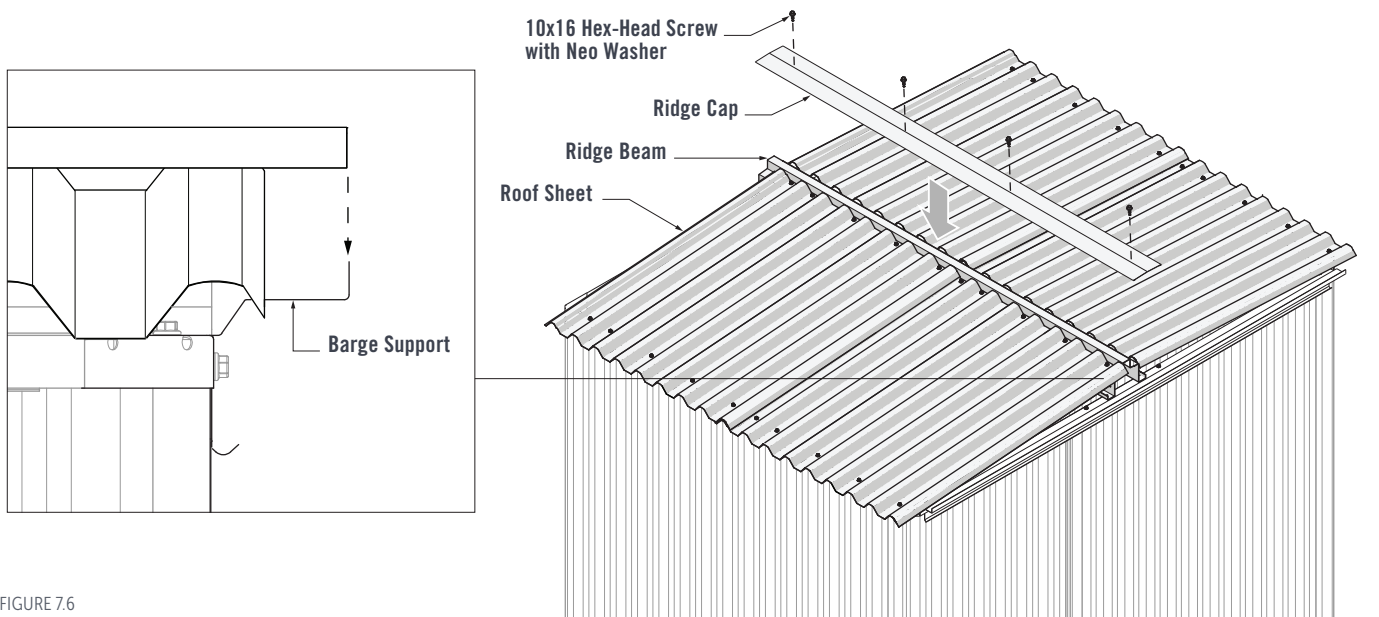


FIGURE 7.6

1. Fasten a 10x22 Wafer-Head screw through the Door Stop and into the pilot hole in the Sliding Rail. For reference, the Door Stop should be spaced 630mm from the Door Jamb (Figure 7.7).

2. Slide the Door into the Sliding and Runner Rails. The Door Roller should fit into the Sliding Rail at the top. The bottom of the Door should fit into the Runner Rail at the bottom (Figure 7.7).

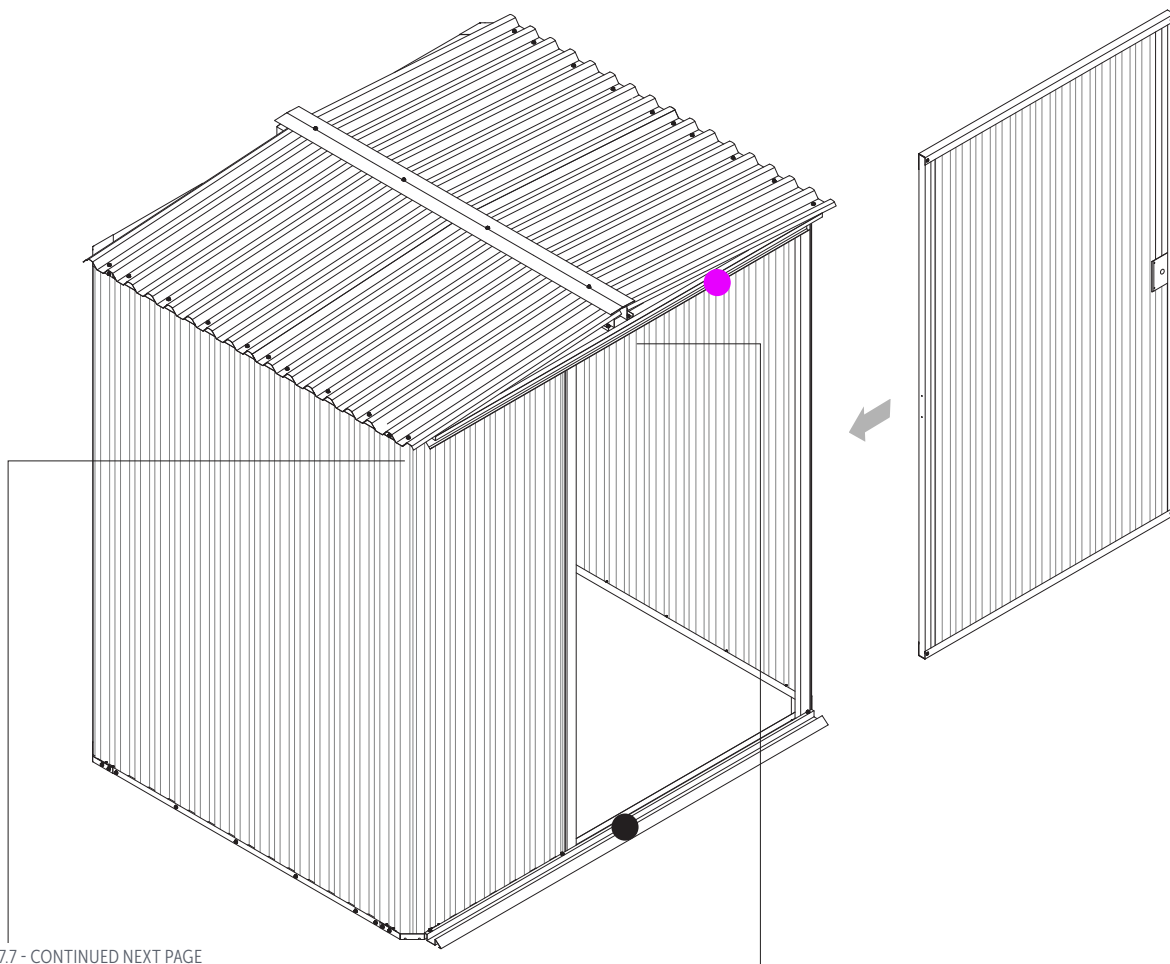


FIGURE 7.7 - CONTINUED NEXT PAGE

# HANDI-MATE™ HM2 SLIDING DOOR SHED INSTALLATION GUIDE

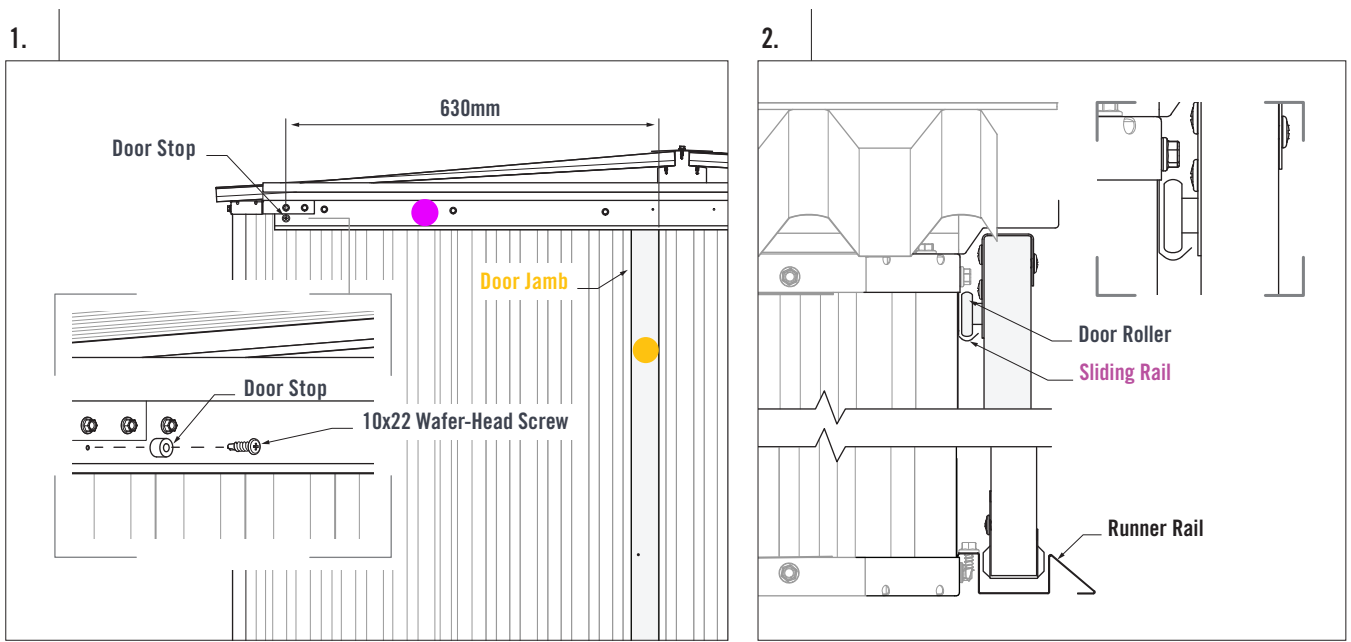


FIGURE 7.7

1. Place the L/H Barge Cap over the Roof Sheet at the front of the shed. The front face of the Barge Cap should fit up against the Barge Support. The ends of the Barge Cap Should align with the end of the roof sheet (Figure 7.8).

Fasten two coloured 10x25 Hex-Head Screws with Neo Washers through the front face of the Barge Cap into the Barge Support. Fasten two coloured 10x25 Hex-Head Screws with Neo Washers through the top of the Barge Cap and into the crests of the Roof Sheets. Install the R/H Barge Cap in the same manner on the front right side of the shed (Figure 7.8).

2. Place the remaining L/H and R/H Barge Caps over the Roof sheets at the rear of the shed. Align the ends of each Barge Cap with the ends of the Roof Sheets (Figure 7.8).

Fasten two coloured 10x25 Hex-Head Screws with Neo Washers through the front face of each Barge Cap into the rear Wall Channel. Fasten two coloured 10x25 Hex-Head Screws with Neo Washers through the top of each Barge Cap and into the crests of the Roof Sheet (Figure 7.8).

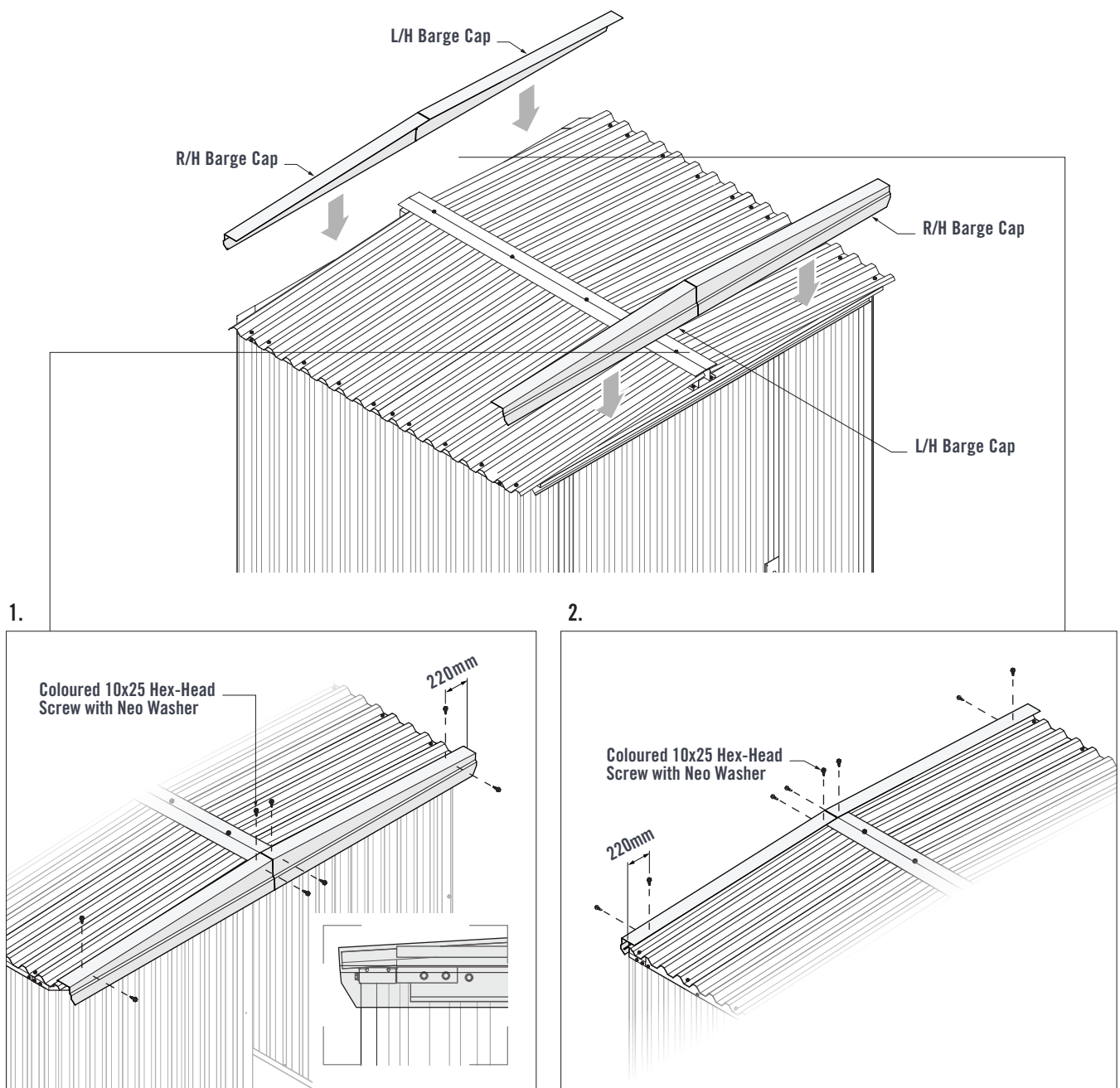
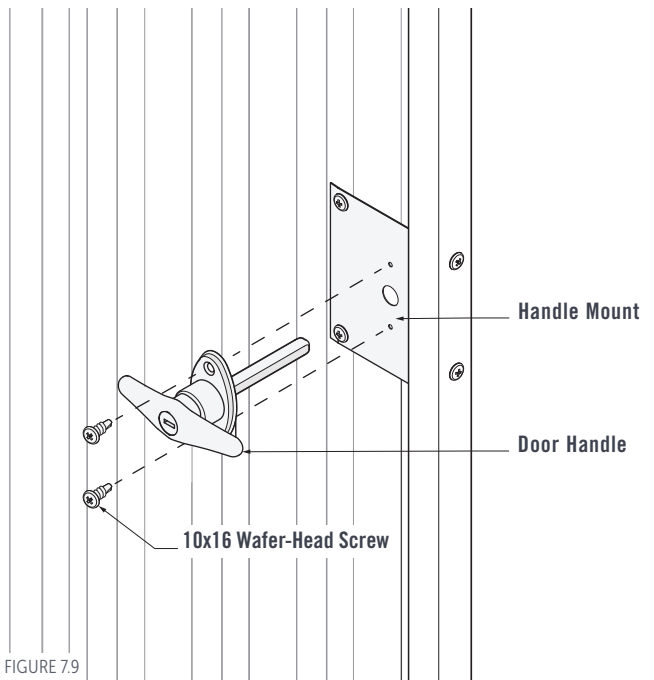


FIGURE 7.8

# HANDI-MATE™ HM2 SLIDING DOOR SHED INSTALLATION GUIDE

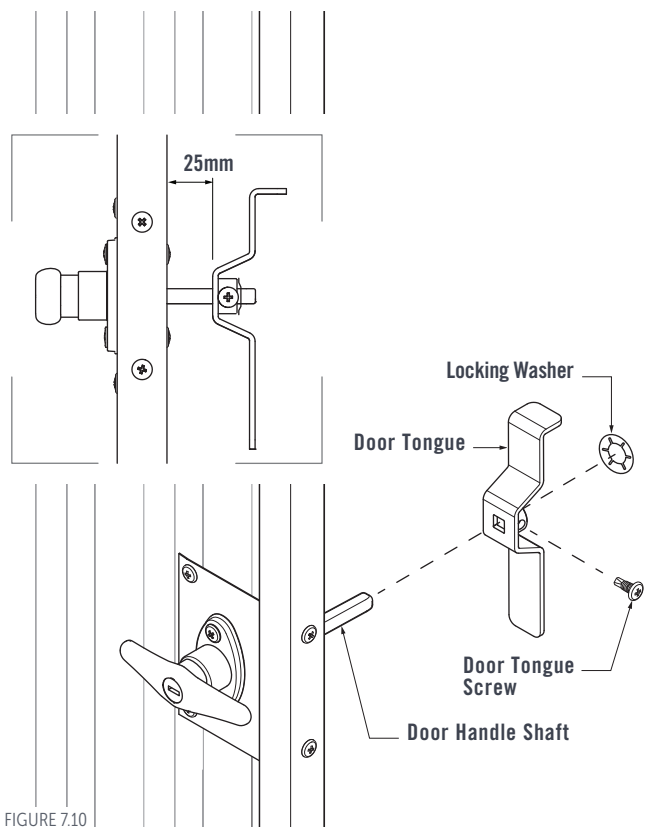
Fasten the Door Handle to the Handle Mount with two 10x16 Wafer-Head Screws (Figure 7.9).



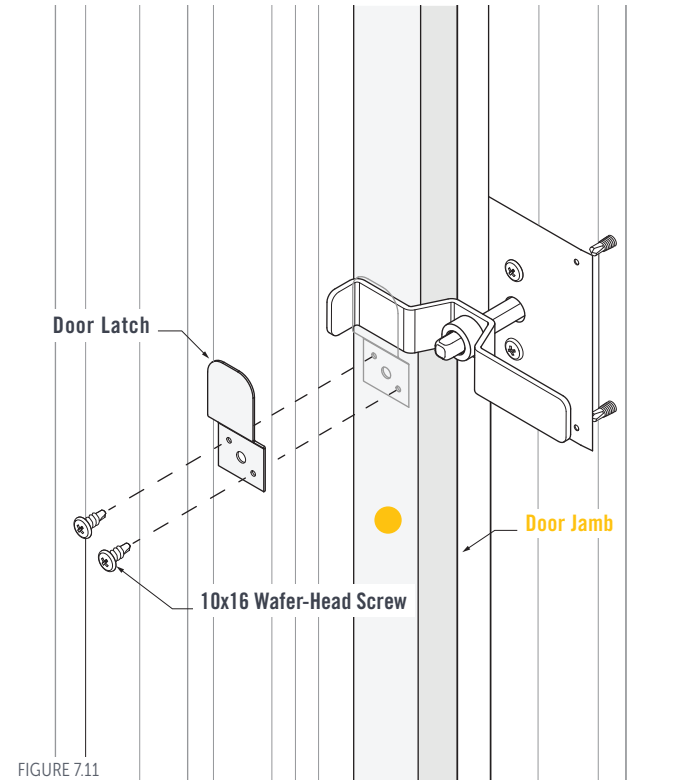
Fit the Door Tongue over the Door Handle shaft. Ensure the Door Tongue is oriented vertically and the Handle is oriented horizontally. Position the Door Tongue approximately 25mm from the Door.

Tighten the Door Tongue screw on the Door Handle shaft to secure the Door Tongue in place.

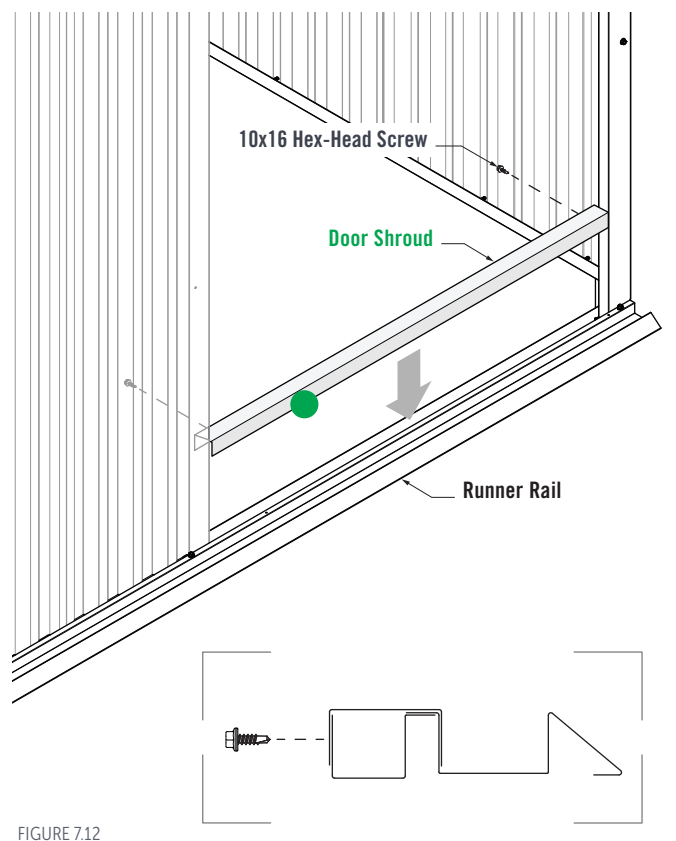
Lastly, slide the Locking Washer onto the Door Handle shaft and up against the Door Tongue (Figure 7.10).



Close the Door and rotate the handle so that the Door Tongue is horizontal. Using the Door Tongue as a guide, fasten the Door Latch to the Door Jamb with two 10x16 Wafer-Head Screws (Figure 7.11).



Fasten the Door Shroud to the back face of the Runner Rail with two 10x16 Hex-Head Screws (Figure 7.12).





A coloured Rivet should be installed at sheet laps in the rear wall, wall corners and door. Drill a 3.5mm hole through the centre of each sheet lap and install a coloured Rivet (Figure 7.13).

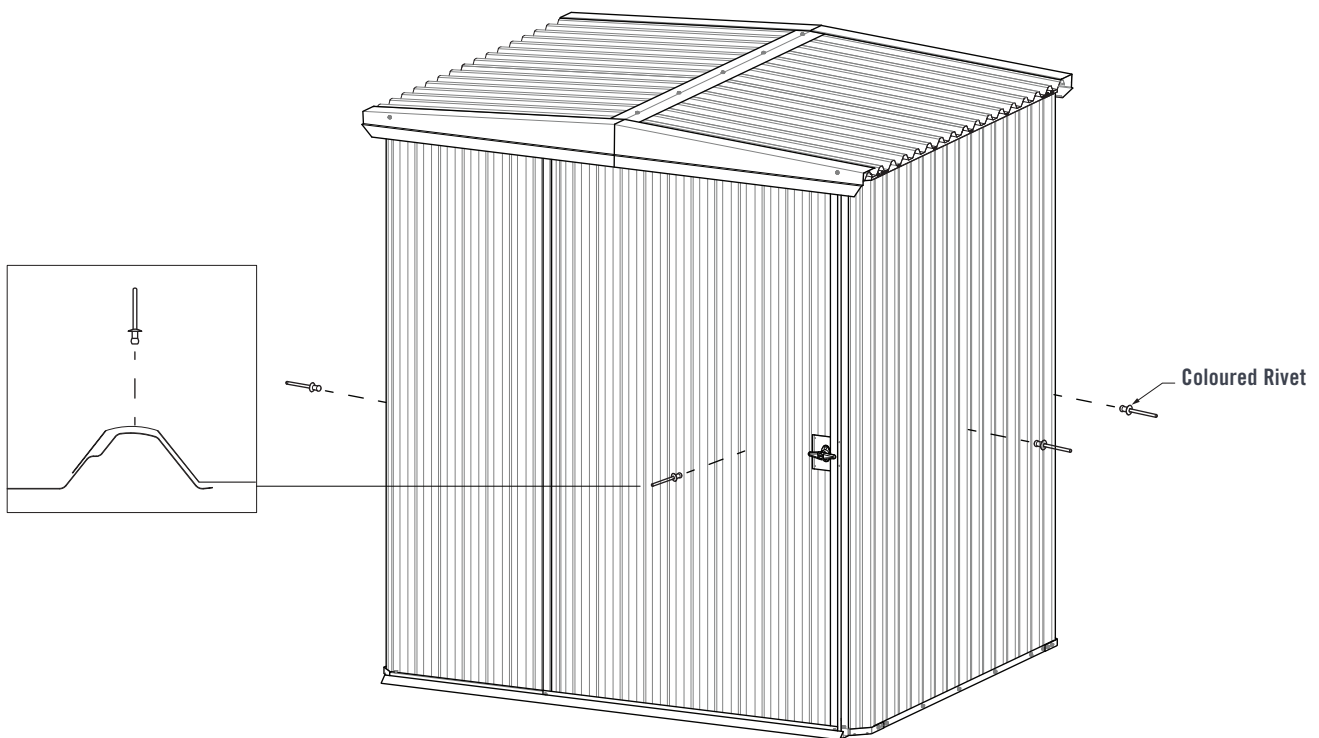


FIGURE 7.13

### Water-Proofing the Floor (Optional)

Water may enter the Shed between the bottom Wall Channels and Floor. Water ingress can be mitigated by applying silicone to the gaps along the Floor. From the inside of the Shed, apply a bead of silicone along the entire perimeter of the Shed, including along the Corner Brackets and Wall Channel ends. Do not apply silicone to the outside of the Shed as this will not allow water to flow out and away from the Shed (Figure 7.14).

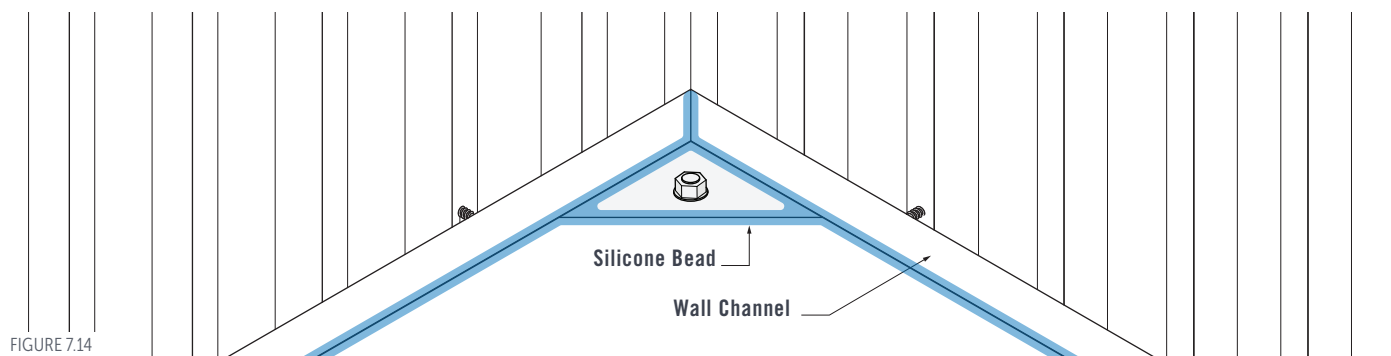


FIGURE 7.14

## SHED MAINTENANCE

It is vital that all metal swarf and filings are removed from the shed as to prevent rust spots from forming. Your Stratco Handi-Mate™ Shed will maintain its good looks for even longer with a simple wash and wipe down. Cleaning should be performed as often as is required to remove any dirt, salt and pollutants.

Stratco Handi-Mate™ Sheds are produced from the highest quality materials and will provide many years of service. Refer to the 'Selection Use and Maintenance' brochure for more information on how to get the best out of your product.

## WINDOW INSTALLATION

Stratco Shed Windows are an optional add-on, available in both Louvre and Sliding variations. Installation methods are identical for each window type. Windows can be installed only to the rear wall of the shed.

The Window must be installed during the assembly of the Rear Wall.

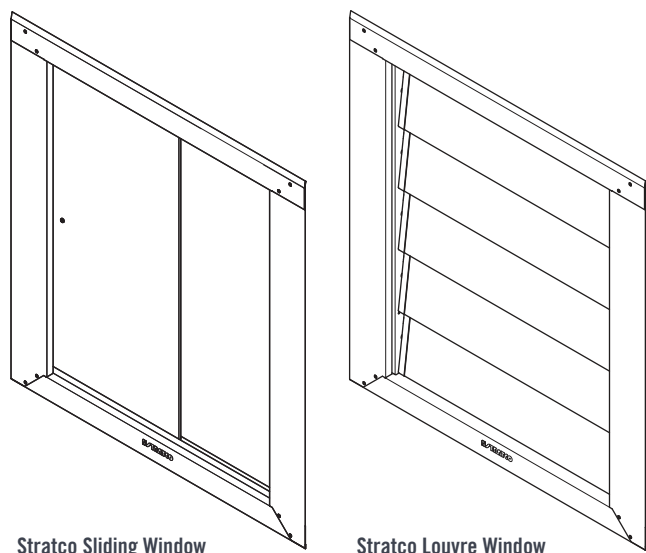


FIGURE 8.0

Lay a Wall Sheet on trestles or blocks. Mark and cut 750mm from the end of the Wall Sheet (Figure 8.1).

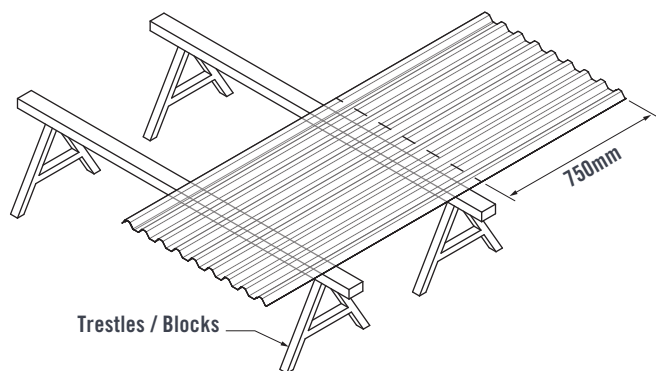


FIGURE 8.1

Assemble the Wall Assembly as per the "Rear Wall Assembly" section of the install guide using below sheet layout (Figure 8.2).

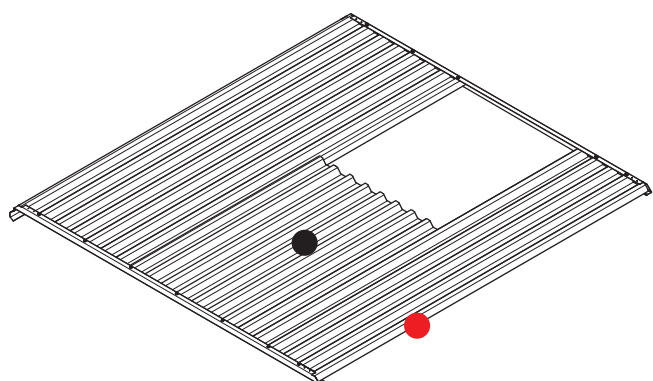


FIGURE 8.2

Fit the window within the opening. Ensure the top lip of the window is fitted between the Wall Channel and Wall Sheets. A minimum of four evenly spaced rivets must be used along each side of the window frame. All fasteners must be fixed through the crests of the Wall Sheets (Figure 8.3).

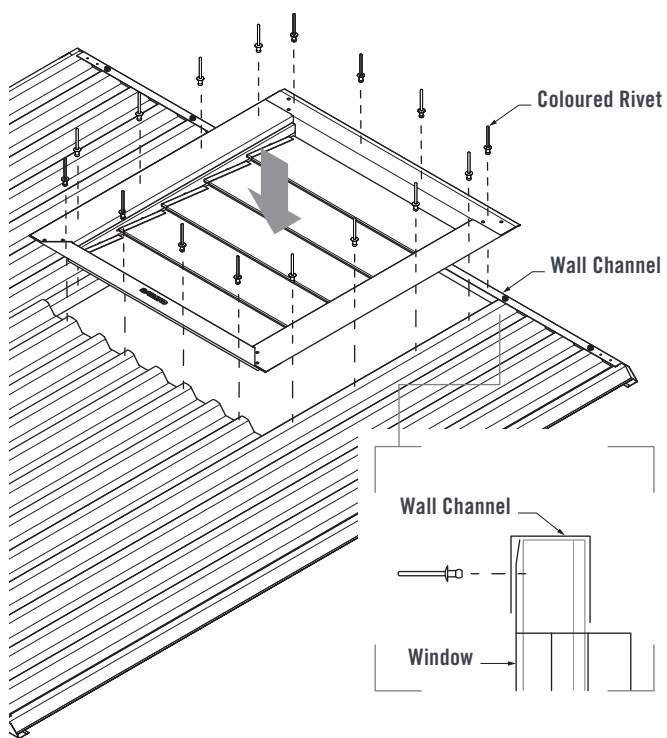


FIGURE 8.3

The Window Flashing must be fitted from the inside of the shed. Fit the short face of the Flashing between the window and the cut edge of the Wall Sheet. Secure the flashing to the Wall Sheet with four evenly spaced Rivets. Ensure all rivets are crest-fixed through to the sheets (Figure 8.4).

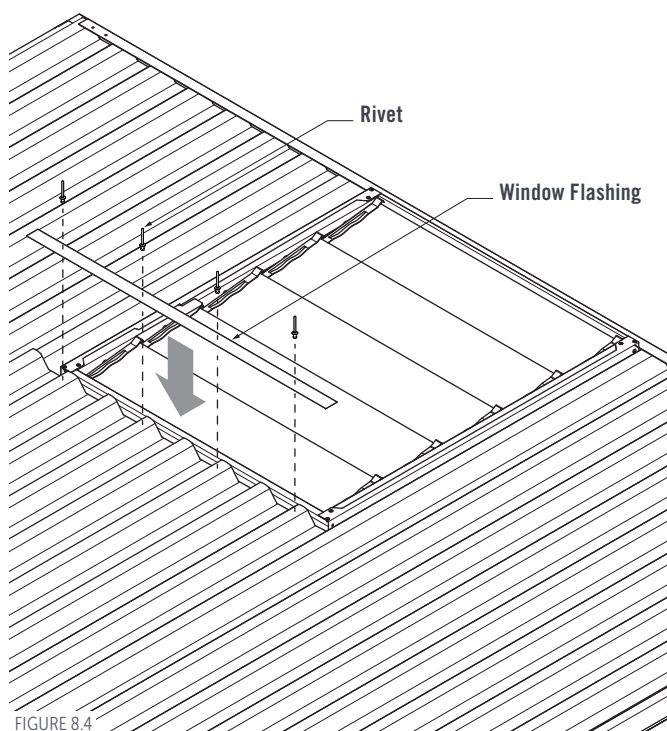
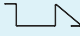

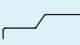





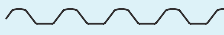

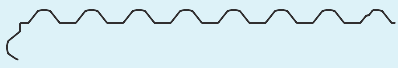







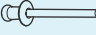

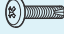



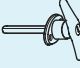




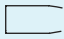








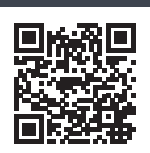
FIGURE 8.4

## COMPONENT INDEX

PROFILE	DESCRIPTION	PRODUCT CODE
	Runner Rail	HMRRBO
	Sliding Rail	HMSR
	Barge Support	HMBS
	Barge Cap - Left Hand Side	HMBCHDRL
	Barge Cap - Right Hand Side	HMBCHDRR
	Ridge Cap	HMRC
	Ridge Beam	HMRB
	Roof Sheet	SSPHMRS
	Split Wall Sheet	SSPHMSW
	Split Door Sheet	SSPHMSD
	Corner Wall Sheet	SSPHMWSCNR
	Wall Sheet	SSPHMWS
	Hold Down Lug	HMHL
	Door Wheel	HMDW
	Door Spacer	HMDTS
	Door Stop	HMSS
	Door Nut	HMNN6
	Masonry Anchor	MAA847
	Rivet	RIV4-3
	16mm Wafer-Head Screw	WTK1016
	22mm Wafer-Head Screw	WTK1022
	16mm Hex-Head Screw	TEKNNW1016
	16mm Hex-Head Screw with Neo Washer	TEK1016
	25mm Hex-Head Screw with Neo Washer	TEK1025
	Door Handle	HMTH
	Door Tongue	HMDT
	Door Latch	HMDL
	Handle Mount	HMDM
	Corner Bracket	HMCB



	Door Jamb	HMDJ
	Door Shroud	HMDSHDRBO
	Top Door Channel	HMDCTO
	Bottom Door Channel	HMDCBO
	Vertical Door Channel	HMDCVE
	Wall Channel	HMWC
	Bottom Channel	HMRB



« SCAN THIS QR CODE TO FIND A STRATCO NEAR YOU

**1300 155 155**  
**stratco.com.au**

All brands and logos/images accompanied by © or ™ are trade marks of Stratco (Australia) Pty Limited. © Copyright April 2004

**How To.**

