

STRATCO TORRENT SPACER GUTTER CLIP



INNOVATIVE GUTTER OVERFLOW PROTECTION

Prevent water from overflowing behind gutters and into the eaves with the Stratco Torrent Spacer Gutter Clip.

The Stratco Torrent Spacer Gutter Clip has been designed and tested to aid the overflow of water during an exceptionally heavy rainfall period. Any overflow is able to flow through the 3.5mm space created between the back of the gutter and the front of the fascia, thereby removing the risk of the overflowing water travelling back inside the eaves.

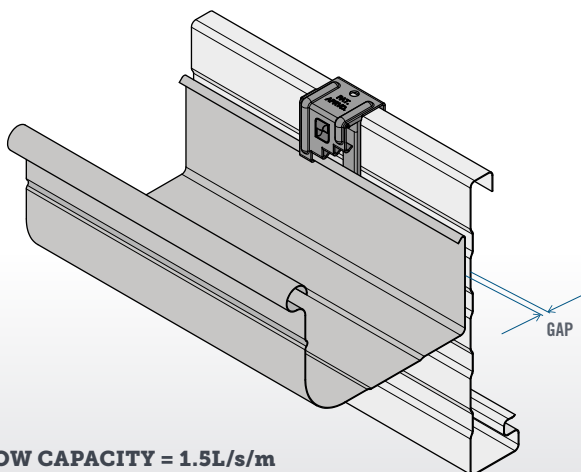
In order for the Torrent Clip to work, it must be installed between the back of the gutter and the front of the fascia. The Torrent Clip facilitates the required 10mm minimum distance between the top of the fascia and the back of the gutter and is available to suit Stratco Contour and Clickfast steel fascias as well as timber fascia.



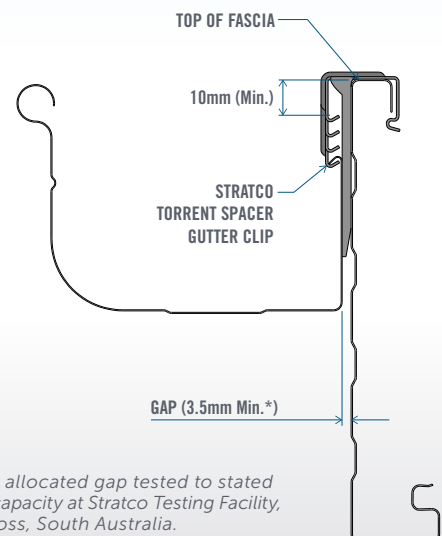
FOR METAL FASCIA



FOR TIMBER FASCIA



OVERFLOW CAPACITY = 1.5L/s/m



**Minimum allocated gap tested to stated overflow capacity at Stratco Testing Facility, Gepps Cross, South Australia.*