

NOTES

This guide provides details of various flashings to be used in conjunction with Stratco Cooldek® insulated panels to improve the aesthetics, weather protection, durability and fire resistance of Stratco Cooldek® roofing and patios. These flashings are available for both Cooldek® CGI and Cooldek® Classic insulated panels.

BACK CHANNEL

When installed in accordance with Stratco installation guides, back channels and BIP foam will securely attach Cooldek® roof sheets to a wall, beam or fascia and prevent the ingress of water.

SIDE CAPPING

Standard and drip edge side cap flashings provide a clean, weatherproof finish to the sides of Cooldek® roof sheets.

CUTBACK FLASHING

Standard and drip edge cutback flashings provide a clean, weatherproof finish to the ends of Cooldek® roof sheets where the overhanging roof sheet is required to direct rainfall runoff away from the Cooldek® and into the gutter (when fitted).

PAVILION EDGE GUTTER

Pavilion Edge Gutter combines the function of the cutback flashing with the on-trend Edge Gutter profile.

INFILL & SHIELDING FLASHING

Back channel infill flashings, Biycell SFR BAL 40 Eave Filler Strip, and shielding cutback flashings are used in conjunction with Cooldek® insulated panels to meet the construction requirements of AS3959-2009 BAL LOW to BAL 29 for roofing, patios, carports and awnings.

Note: The expanded polystyrene insulation used in Cooldek® panels includes a fire retardant additive and is self-extinguishing in the absence of external fire sources. The back channel infill flashings, Biycell SFR BAL 40 Eave Filler Strip, and shielding cutback flashings will further improve the fire performance of Cooldek® roofing and patios by protecting the expanded polystyrene insulation from external flame and ember attack. It is important that a visual inspection is performed after installation to ensure no gaps exceed 3mm.

INTERNAL CORNER FLASHING

Corner flashings are used in conjunction with Cooldek® insulated panels to meet the performance requirements of AS 5637.1-2015 Group 1 materials for internal wall or ceiling linings. The corner flashings protect the expanded polystyrene insulation from internal fires and must be fixed with the fastener type and spacing specified in the Cooldek® Span Tables.

Stratco Cooldek® is classified as a Group 1 material and achieves a SMOGRARC of 1.9 m2s-2 x 1000, as tested by Exova Warringtonfire in accordance with AS5637.1 and AS/ISO 9705. For enclosed buildings the intersections of walls and Cooldek® ceiling panels must be completely covered with 65mm x 65mm x 1.2mm steel corner flashings that are fastened to the walls and ceiling with 6-3 steel rivets at maximum 300 mm centres.

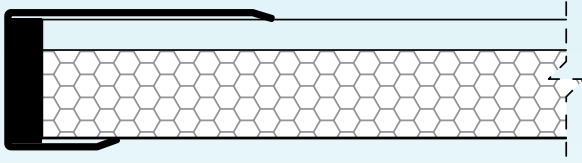
COOLDEK® FLASHING GUIDE

COOLDEK® SHIELDING & FLASHING GUIDE FOR ROOFING AND PATIOS

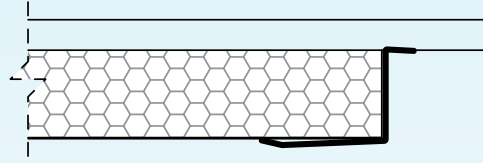
COOLDEK® SHIELDING & FLASHING GUIDE FOR ROOFING AND PATIOS

COOLDEK® CGI

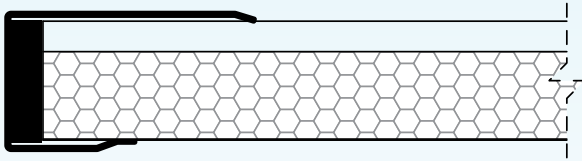
COOLDEK® CGI STANDARD BACK CHANNEL



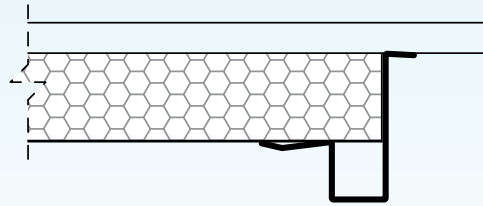
COOLDEK® CGI CUTBACK FLASHING



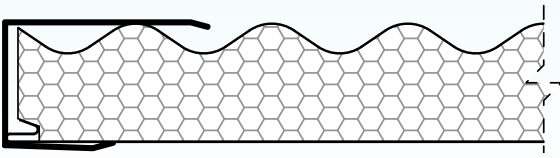
COOLDEK® CGI STEPPED BACK CHANNEL



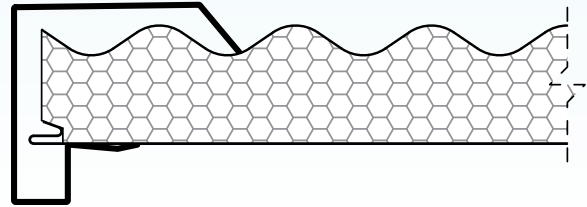
COOLDEK® CGI DRIP-EDGE CUTBACK FLASHING



COOLDEK® CGI STANDARD SIDECAPPING

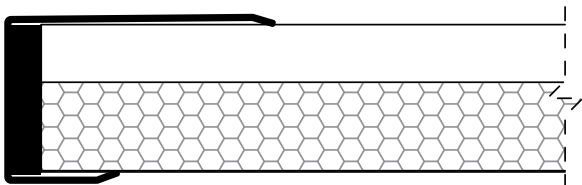


COOLDEK® CGI DRIP-EDGE SIDECAPPING

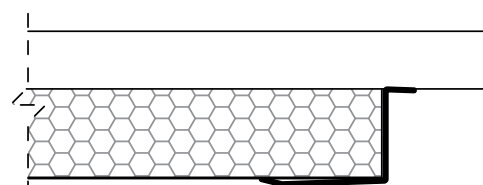


COOLDEK® CLASSIC

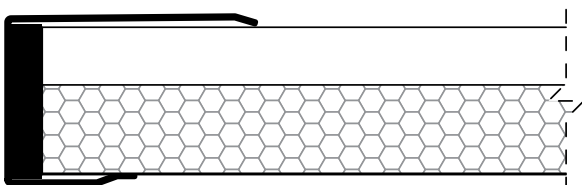
COOLDEK® CLASSIC STANDARD BACK CHANNEL



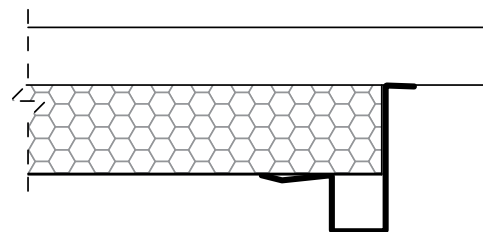
COOLDEK® CLASSIC CUTBACK FLASHING



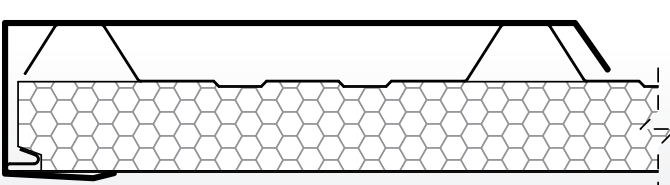
COOLDEK® CLASSIC STEPPED BACK CHANNEL



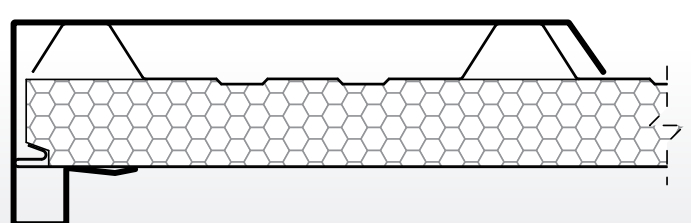
COOLDEK® CLASSIC DRIP-EDGE CUTBACK FLASHING



COOLDEK® CLASSIC STANDARD SIDECAPPING

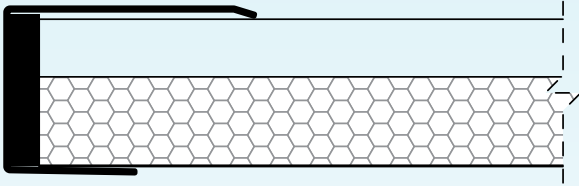


COOLDEK® CLASSIC DRIP-EDGE SIDECAPPING

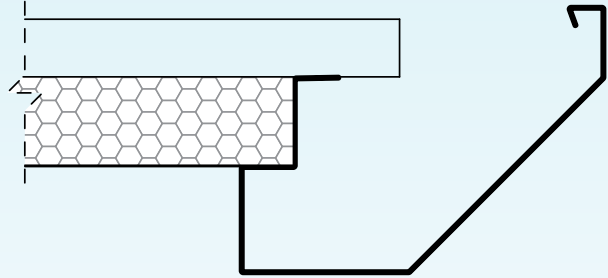


COOLDEK® CLASSIC - PAVILION

COOLDEK® CLASSIC PAVILION BACK CHANNEL

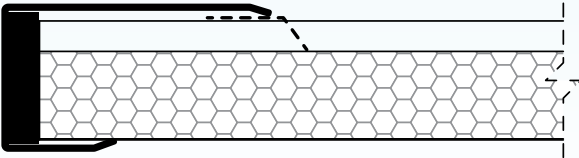


PAVILION EDGE GUTTER

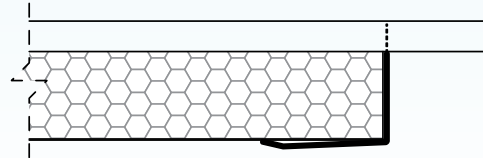


COOLDEK® CGI SHIELDING FLASHINGS

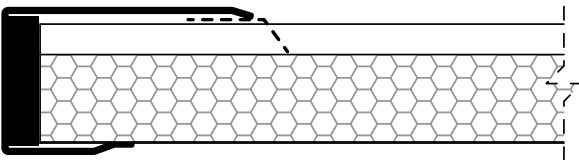
COOLDEK® CGI STANDARD BACK CHANNEL
(WITH BACK CHANNEL INFILL FLASHING)



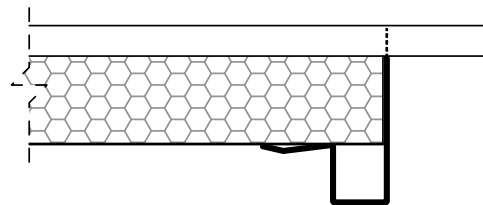
COOLDEK® CGI SHIELDING CUTBACK FLASHING



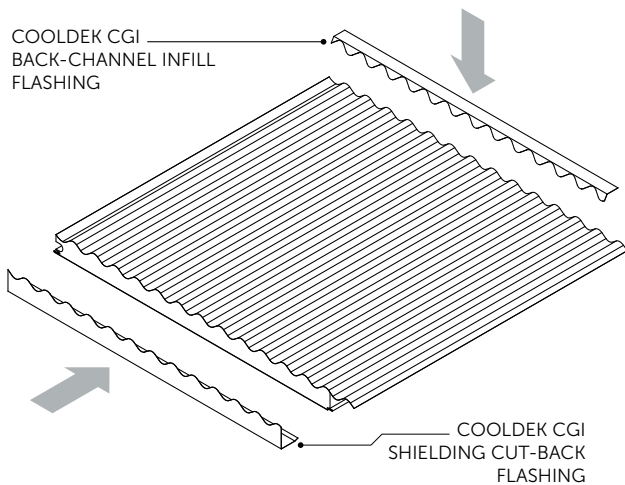
COOLDEK® CGI STEPPED BACK CHANNEL
(WITH BACK CHANNEL INFILL FLASHING)



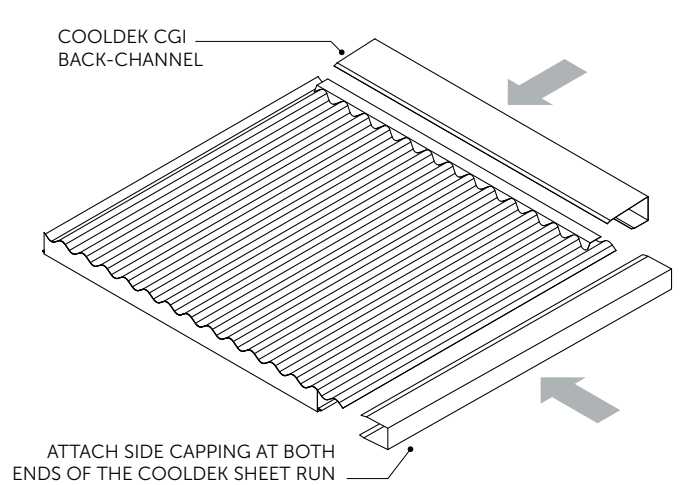
COOLDEK® CGI DRIP-EDGE SHIELDING CUTBACK FLASHING



COOLDEK CGI
BACK-CHANNEL INFILL
FLASHING

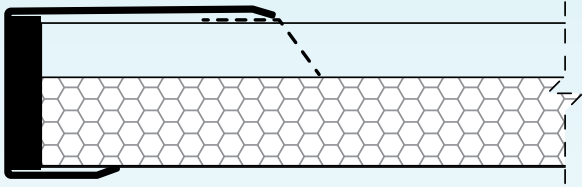


COOLDEK CGI
BACK-CHANNEL

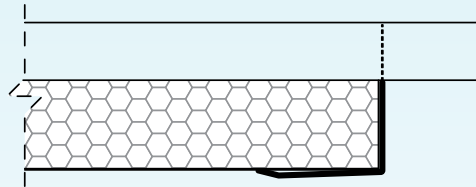


COOLDEK® CLASSIC SHIELDING FLASHINGS

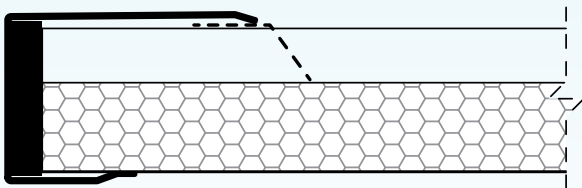
COOLDEK® CLASSIC STANDARD BACK CHANNEL
(WITH BACK CHANNEL INFILL FLASHING)



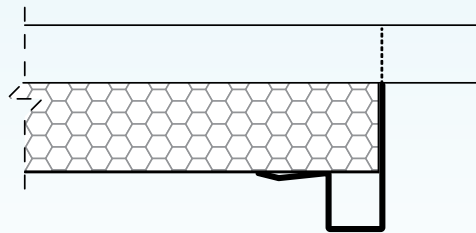
COOLDEK® CLASSIC SHIELDING CUTBACK FLASHING



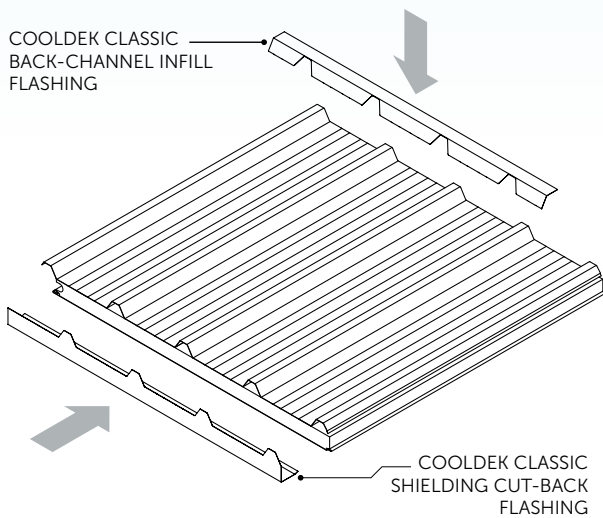
COOLDEK® CLASSIC STEPPED BACK CHANNEL
(WITH BACK CHANNEL INFILL FLASHING)



COOLDEK® CLASSIC DRIP-EDGE SHIELDING CUTBACK FLASHING

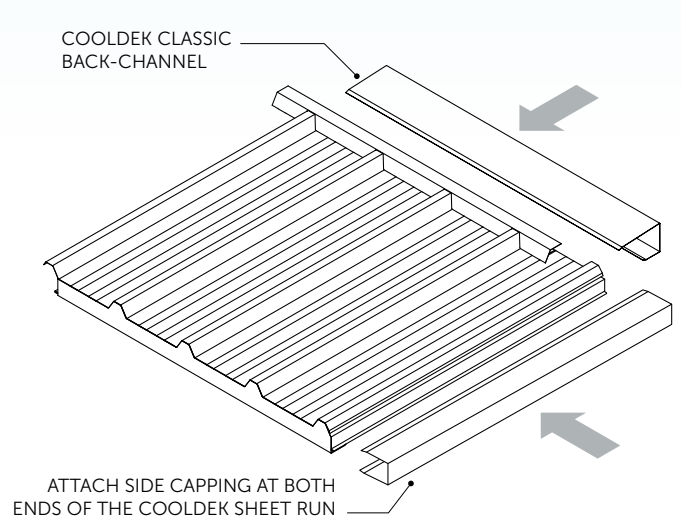


COOLDEK CLASSIC
BACK-CHANNEL INFILL
FLASHING



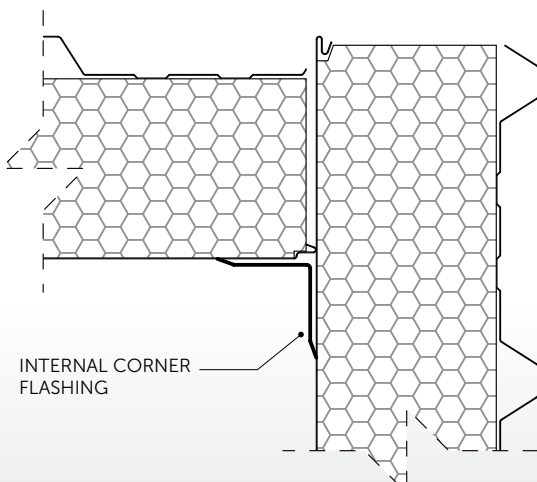
COOLDEK CLASSIC
SHIELDING CUT-BACK
FLASHING

COOLDEK CLASSIC
BACK-CHANNEL

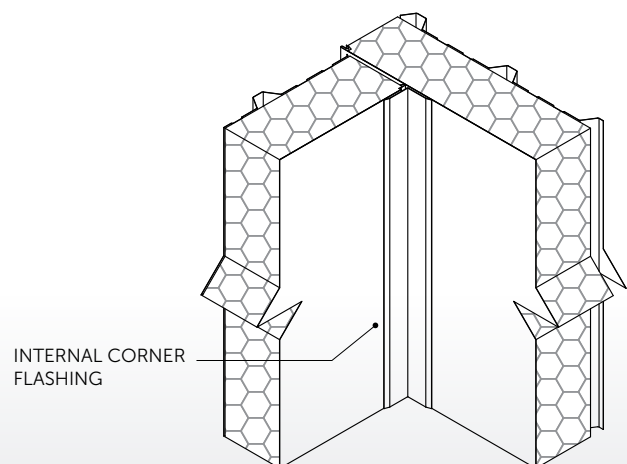


ATTACH SIDE CAPPING AT BOTH
ENDS OF THE COOLDEK SHEET RUN

INTERNAL CORNER FLASHINGS



INTERNAL CORNER
FLASHING



INTERNAL CORNER
FLASHING

USING SHIELDING FLASHINGS

The following diagrams show typical attachment of Cooldek® to building structures and allowable AS 3959 BAL rating. It is the responsibility of the builder/ installer to ensure that the attached structure and materials meet AS 3959 BAL rating requirements. Contact Stratco for advice on achieving fire rating compliance if the building design falls outside of the following examples.

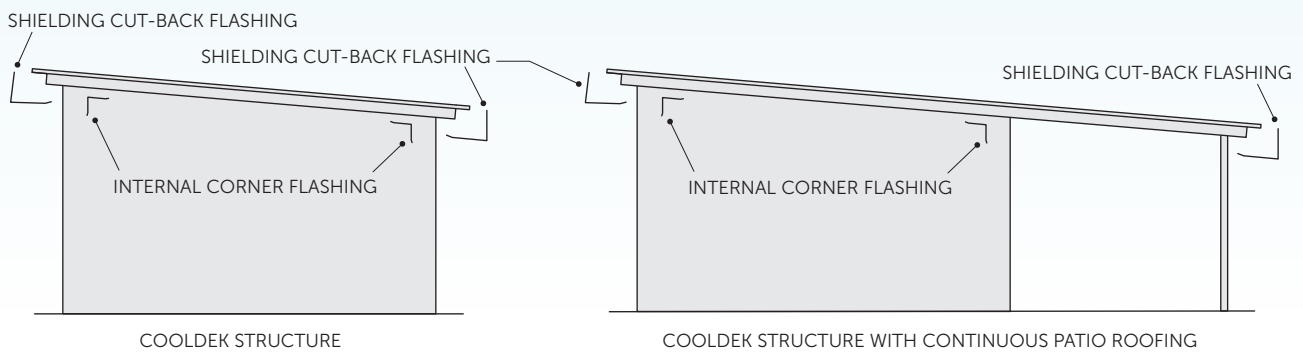
IMPORTANT NOTES:

- All additional construction materials used in the structure must also meet BAL rating requirements.
- All posts and beams supporting the Cooldek® must be non-combustible, or bushfire resistant timber.
- Install shielding flashings alongside standard flashings, capping and gutters as per normal Cooldek® installation.

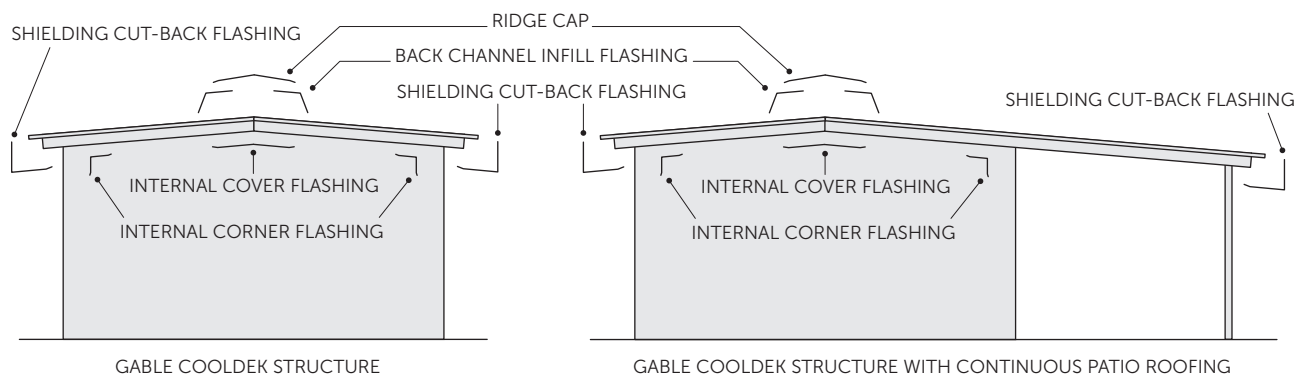
BUSHFIRE ATTACK LEVELS - AS 3959, BAL - LOW, 12.5 & 19

The following diagrams show Cooldek® attachment that meets AS 3959, BAL - Low, 12.5 and 19.

FLAT ROOF



GABLE ROOF



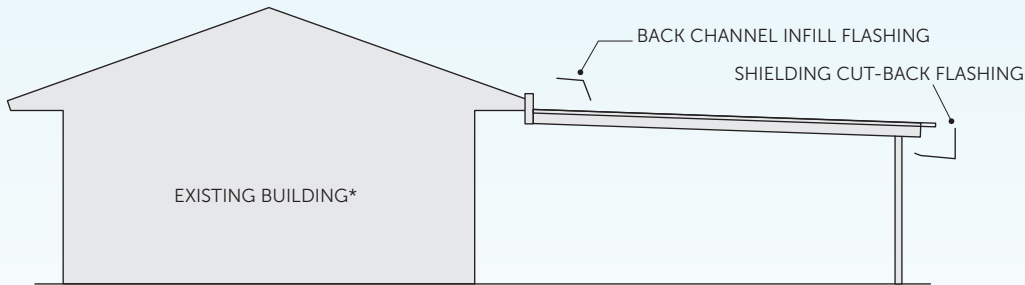
BUSHFIRE ATTACK LEVELS - AS 3959, BAL - LOW, 12.5, 19 & 29

The following diagrams show Cooldek® attachment that meets AS 3959, BAL - Low, 12.5, 19 and 29.

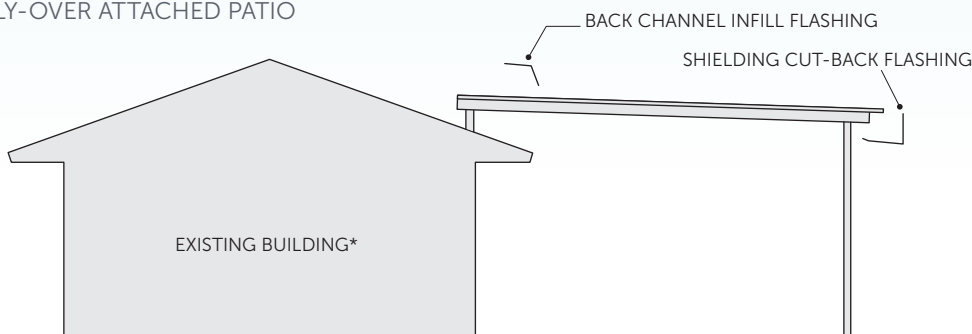
*AS3959 compliance relates to the installation of Cooldek® only. It is the responsibility of the builder/ installer to determine AS3959 compliance requirements for the existing building.

**Fire Resistance Level: 60/60/60 if structural wall. Fire Resistance Level: -/60/60 if non-structural wall. Otherwise a masonry wall no less than 90mm thick can be used. All fire resistant walls must attach to the underside of a non-combustible roof.

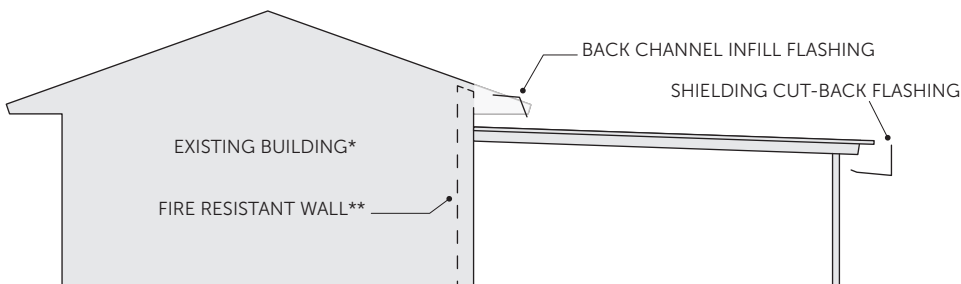
FASCIA ATTACHED PATIO



FLY-OVER ATTACHED PATIO

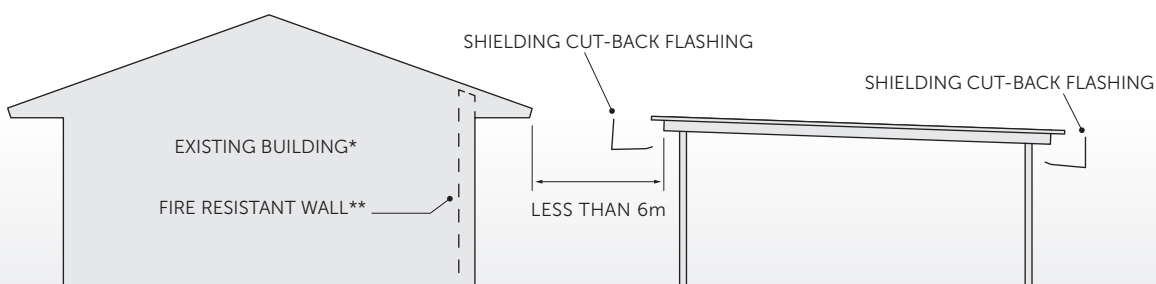


WALL ATTACHED PATIO



FREE-STANDING PATIO: LESS THAN 6m FROM STRUCTURE

Structures less than 6m from an adjacent free-standing patio require fire resistant adjacent walls**.



BUSHFIRE ATTACK LEVELS - AS 3959, BAL - LOW, 12.5, 19 & 29 (CONT.)

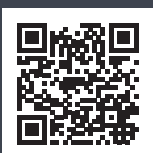
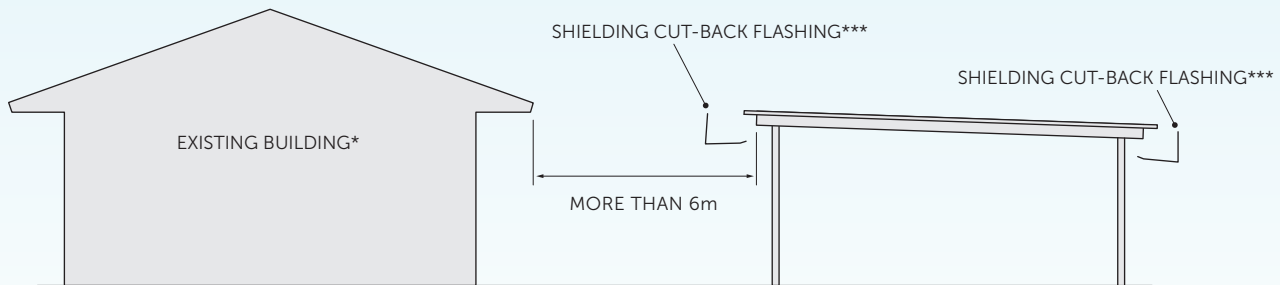
The following diagrams show Cooldek® attachment that meets AS 3959, BAL - Low, 12.5, 19 and 29.

*AS3959 compliance relates to the installation of Cooldek® only. It is the responsibility of the builder/ installer to determine AS 3959 compliance requirements for the existing building.

***Not required to meet AS 3959, however recommended to reduce risk of fire damage to Cooldek®.

FREE-STANDING PATIO: MORE THAN 6m FROM STRUCTURE

Structures greater than 6m from an adjacent free-standing patio do not require a fire resistant wall.



« SCAN THIS QR CODE TO FIND A STRATCO NEAR YOU

1300 155 155
stratco.com.au

All brands and logos/images accompanied by ® or ™ are trade marks of Stratco (Australia) Pty Limited. © Copyright July 2018

How To.

