

### COOL LIGHT INSTALLATION

Cooldek Cool Lights are situated between Cooldek sheets and are to be installed whilst Cooldek sheets are being fitted.

Cool Lights can be used in conjunction with Cooldek Classic, Superdek and CGI in all thicknesses. The appropriate components will be provided.

Prior to installation, cut the Cool Light Frame and Diffuser Panel to the same length as the Cooldek ceiling panel.

**Cooldek Classic / Superdek Installation-** Cut the Polycarbonate Rooflite and Adaptor Extrusion 10mm longer than the Cooldek top sheet.

**Cooldek CGI Installation-** Cut the Polycarbonate Rooflite and Adaptor Extrusion 160mm shorter than the Cooldek top sheet.

Fix the Cooldek sheet to the patio framework as per the recommended Cooldek installation. Position the first Cool Light Frame Rail up to the side of the fixed Cooldek sheet (Figure 1.0). The Frame Rail must be hard against and parallel to the Cooldek sheet. Secure along the frame to the Cooldek ceiling using colour-matched rivets at 500mm centres (Figure 1.0).

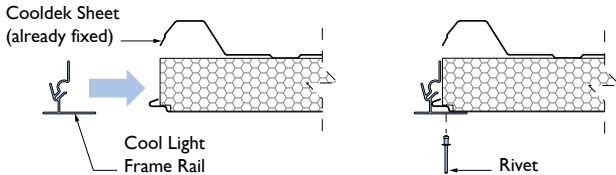


Figure 1.0

The next Cooldek sheet is to be moved into place with crests separated at approx. 320mm centres (Figure 1.1). Measure at both ends of the Cooldek Sheets to ensure they are parallel.

**Note:** Care must be taken when adjusting the Cooldek position as to not scratch or mark the Cooldek ceiling.

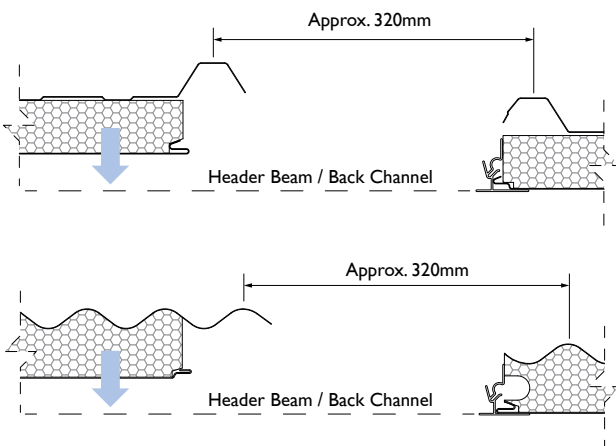


Figure 1.1

Once the second adjacent Cooldek sheet is in position, the second Cool Light frame rail can be installed as previously detailed (Figure 1.2).

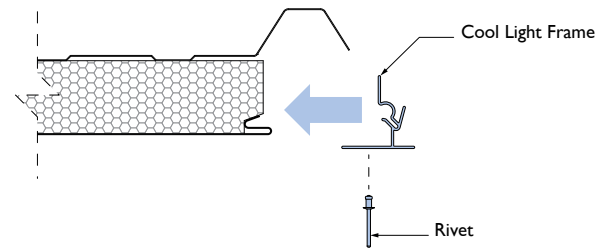


Figure 1.2

### LED LIGHTING INSTALLATION

Use the following instructions if LED strip lighting has been provided.

Do not apply the LED strip if ambient temperatures are below 10°C. For ambient temperatures between 10-15°C, warm the tape to approximately 20°C before installing.

The adhesive backing is affixed to the flat angled face of the Cool Light frame rails. To ensure effective adhesion of the LED strip, lightly sand the surface of the Cool Light Frame Rail where the LED strip is attached.

Remove dust and contaminants by wiping the roughened surface with a clean rag and isopropyl alcohol.

Fit the LED strip in place by applying firm hand pressure to activate adhesive (Figure 2.0 & 2.1).

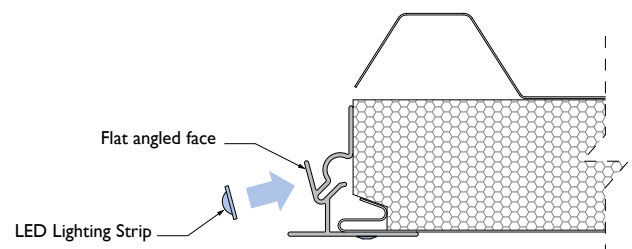


Figure 2.0

Begin fixing the LED light strip at the connector end. Have the connector end at the location where the extension lead and transformer will be meeting the connector.

The light-strip can be looped around at each end of the Cool Light or excess trimmed off (Figure 2.1).

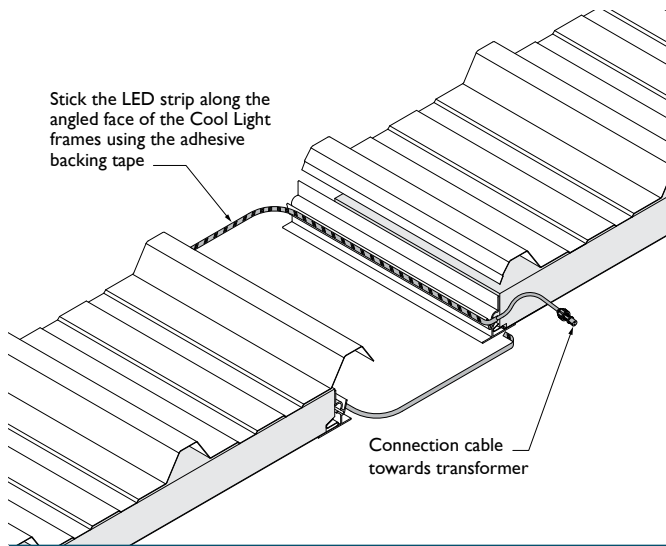


Figure 2.1

Fit the Retaining Clips over the Cool Light Frame Rail (Figure 2.2).

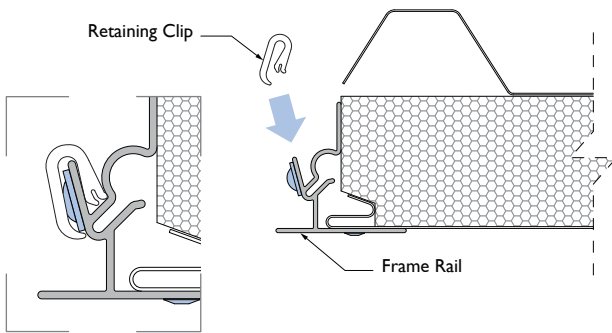


Figure 2.2

Retaining Clips must be spaced no greater than 200mm apart (or 12 LEDs between clips) (Figure 2.3).

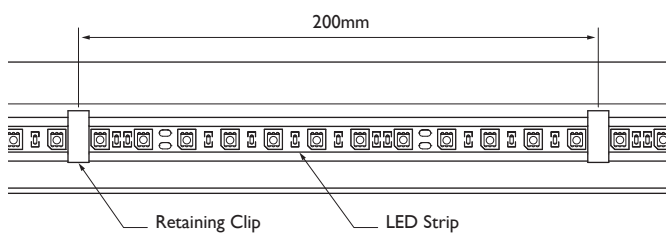


Figure 2.3

Ensure Retaining Clips do not cover the LEDs as this will cause inconsistent illumination of the LED strip (Figure 2.4).

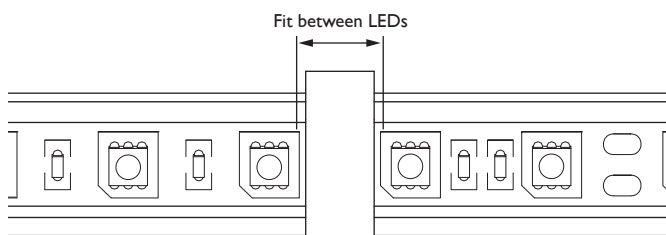


Figure 2.4

Extension leads must be routed back through to the transformer. All cables must be connected with the arrows on each plug facing each other (Figure 2.5).

**Note:** It is important to check that all lights are working before continuing with the Cooldek installation.

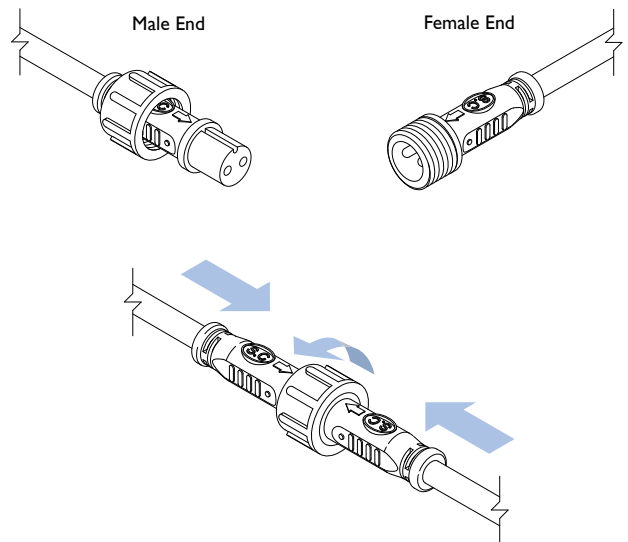


Figure 2.5

## COOL LIGHT INSTALLATION

Slide both Adaptor Extrusions all the way into the Polycarbonate Rooflite. Turning the components upside-down will allow the Adaptor Extrusions to slide in more easily (Figure 3.0).

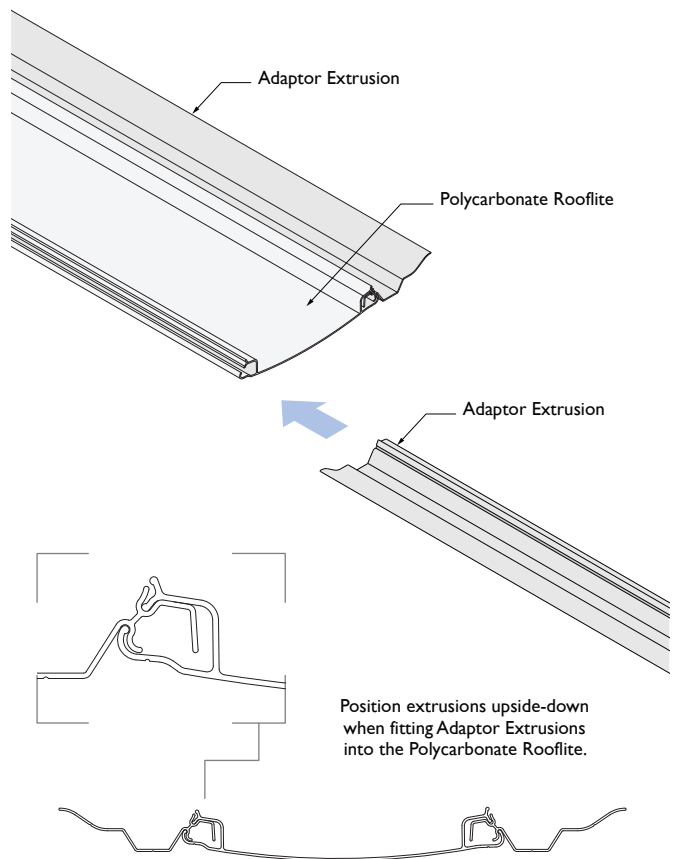


Figure 3.0

## COOLDEK CLASSIC INSTALLATION

Lay the Adaptor Extrusions onto the Cooldek sheets. Ensure the Adaptor Extrusions fit over the crests of the Cooldek (Figure 3.1).

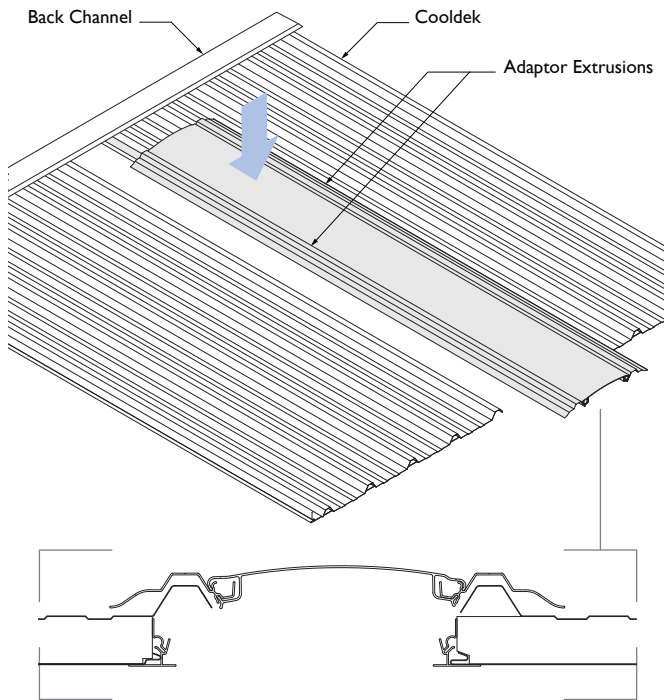


Figure 3.1

If installing on an attached unit, slide the Cool Light assembly into the Back Channel and hard against the BIP foam. The extrusions should sit approximately 10mm past the end of the Cooldek sheets. Fix the Adaptor Extrusions to the Cooldek sheets using 10x16 self-drilling screws with neo washers spaced a maximum of 500mm apart (Figure 3.2).

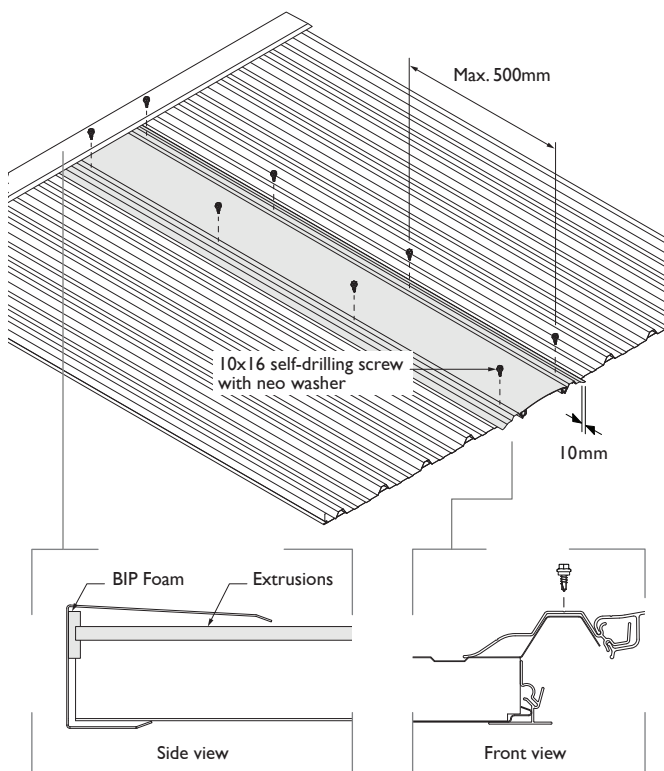


Figure 3.2

## COOLDEK CGI INSTALLATION

Cut through the Cooldek sheet overlap (Figure 3.3). Fold down the resulting tab (Figure 3.3).

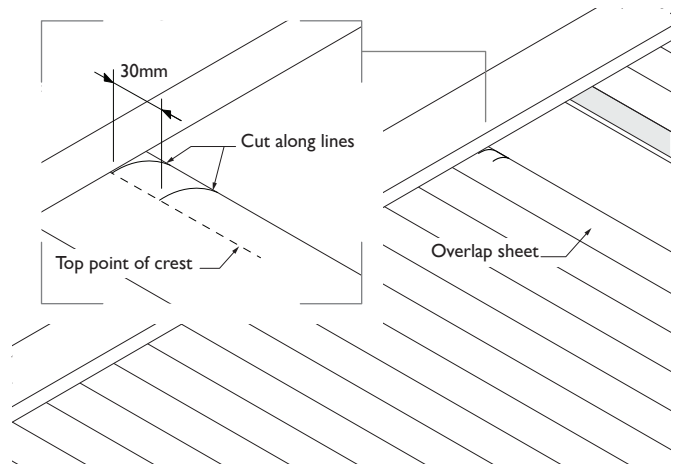


Figure 3.3

Fit the End Cap under the Back Channel (Figure 3.4).

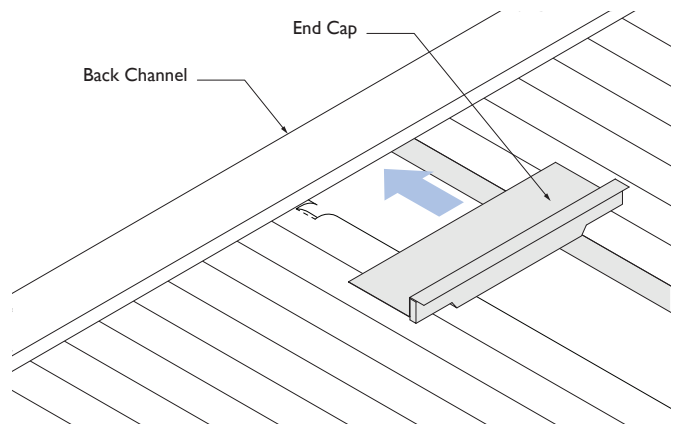


Figure 3.4

Push the End Cap into the Back Channel and hard up against the BIP Foam. Fasten the End Cap in place using two 10x16 self-drilling screws with neo washers through the Back Channel and into the Cooldek Sheet crests (Figure 3.5).

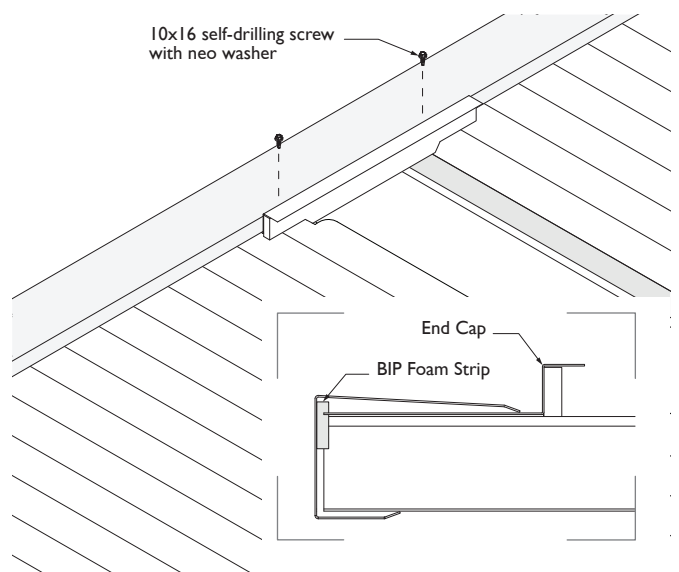


Figure 3.5

Lay the Adaptor Extrusions onto the Cooldek sheets. Ensure the Adaptor Extrusions fit over the crests of the Cooldek (Figure 3.6).

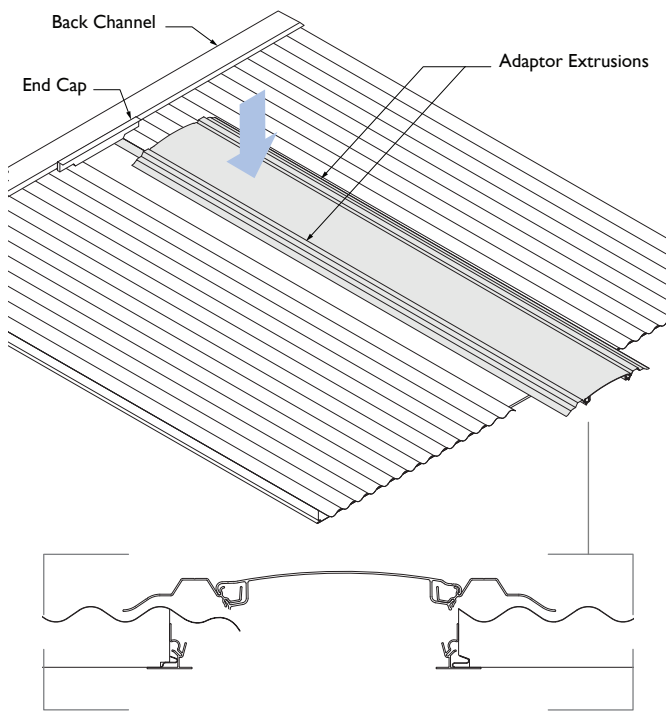


Figure 3.6

Push the extrusions hard up against the End Cap. The extrusions should sit approximately 10mm past the end of the Cooldek sheets. Fix the Adaptor Extrusions to the Cooldek sheets using 10x16 self-drilling screws with neo washers spaced a maximum of 500mm apart through the sides of the Cooldek crests (Figure 3.7).

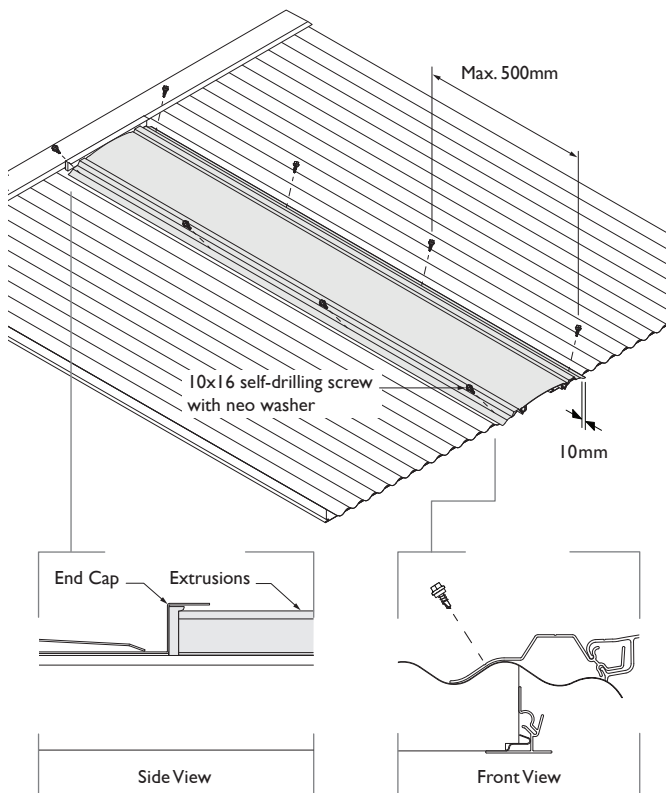


Figure 3.7

## JOINING EXTRUSIONS

Cool Light Extrusions are supplied at a maximum length of 6m. Cool Light installations longer than 6m require two Extrusion lengths to be joined together.

Assemble the Adaptor Extrusions and Polycarbonate Rooflites together (Figure 3.0). Fit the first set of Extrusions to the Cooldek sheets as per Figure 3.1-3.2 if installing on Classic sheets or figure 3.3-3.7 if installing on CGI sheets.

Cut the second set of Adaptor Extrusions and Rooflite to the required length (Refer to 'COOL LIGHT INSTALLATION', page 1). Apply a bead of Silicone to the end of the first Cool Light Assembly (Figure 3.8).

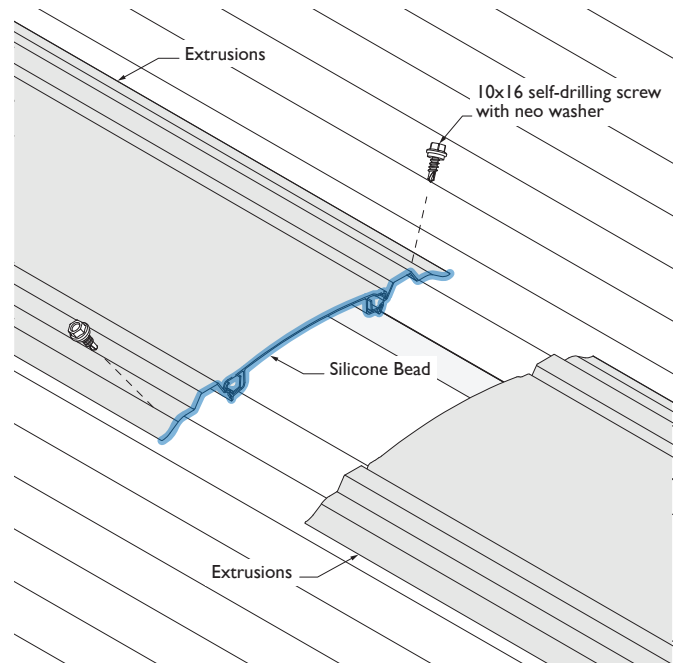


Figure 3.8

Butt the second Cool Light Assembly hard up against the first. Smooth off the silicone bead, applying more silicone as required to ensure the bead seals the join between assemblies (Figure 3.9).

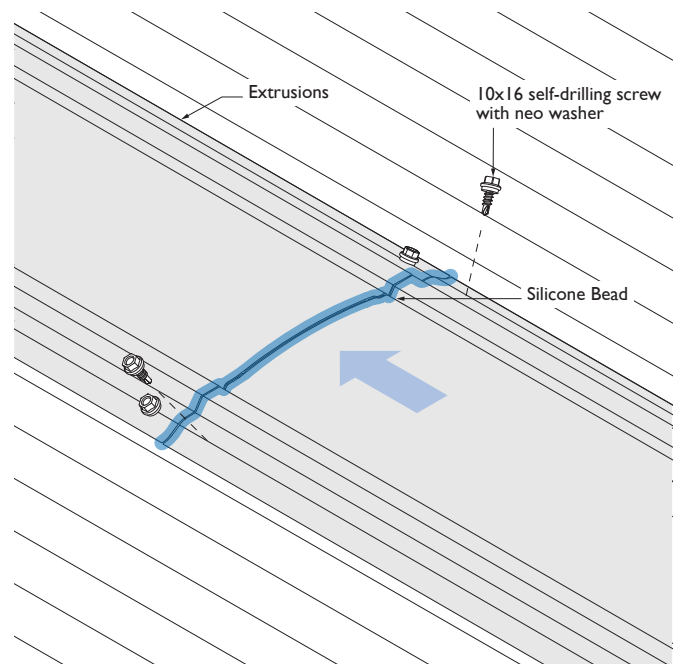


Figure 3.9

## COMPLETING THE ASSEMBLY

The twin-wall diffuser panel is supplied at the same length as the Cool Light frame rails. Slide the diffuser between the Cool Light Frame Rails (Figure 4.0).

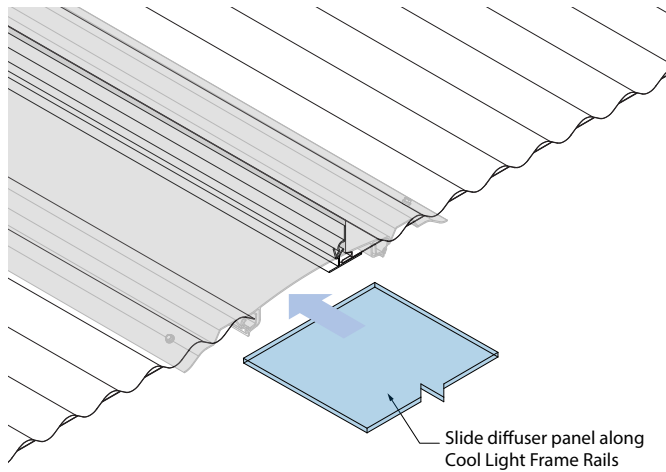


Figure 4.0

Position the Cavity Cover against the end of the Cooldek Top Sheets. Ensure the Cavity Cover fits up against the Cool Light Assembly (Figure 4.1).

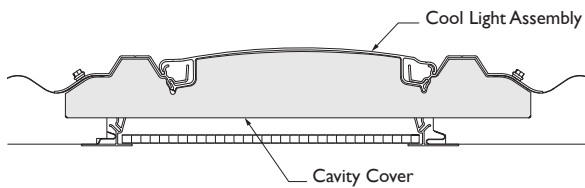


Figure 4.1

Pan fix the Cavity Cover to the Cooldek Top Sheet using two 10x16 self-drilling screws with neo washers (Figure 4.2).

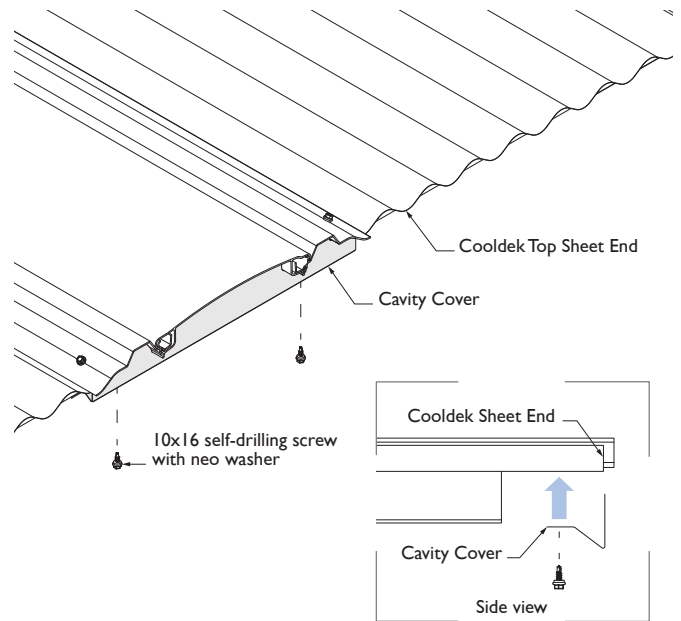


Figure 4.2

The remaining adjacent Cooldek sheet can now be secured to the patio framework. Use the recommended Cooldek screws to crest fix through to any patio framework, with additional screws required either side of the Cool Light opening (Figure 4.3).

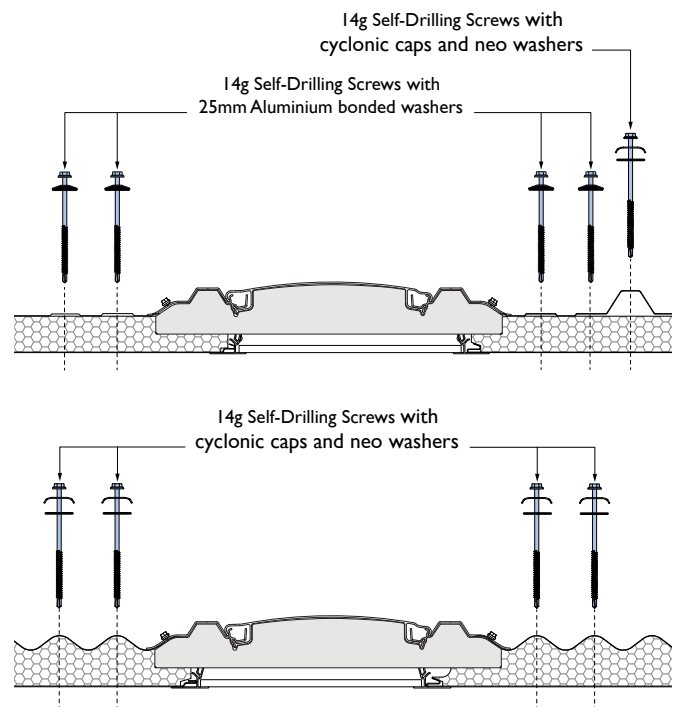


Figure 4.3

Ph: 1300 155 155  
stratco.com.au

**STRATCO**



« Scan this QR code with your smart phone to find a Stratco near you.

QUEENSLAND • NEW SOUTH WALES • AUSTRALIAN CAPITAL TERRITORY • VICTORIA  
SOUTH AUSTRALIA • WESTERN AUSTRALIA • NORTHERN TERRITORY

All brands and logos/images accompanied by ® or ™ are trade marks of Stratco (Australia) Pty Limited.

