




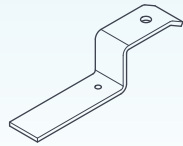
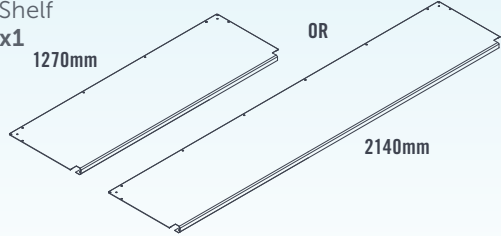


INSTALLATION GUIDE

TOOLS REQUIRED

- Cordless Drill
- 5/16 Hex-head Bit
- PH2 Phillips-head Bit

COMPONENTS

<p>Wafer-Head Self-Drilling Screw x2</p> 	<p>Sheetmetal Screw x10</p> 	<p>Hex-Head Self-Drilling Screw x2</p> 	<p>Shelf Bracket x2</p> 	<p>Shelf x1 1270mm</p> <p>OR</p> <p>2140mm</p> 
--	---	--	---	---

INSTALLATION

Handi-Pod® Garden Shed Shelf Kits are available in two sizes. 1270mm Shelf Kits can be installed to the short walls of the Handi-Pod® Garden Shed **HP1**. 2140mm Shelf kits can be installed to the long walls of the Handi-Pod® Garden Shed **HP1** or **HP2**.

Shelves can be installed at any Panel Lap. Determine the wall location and height to install the Shelf.

Remove existing Sheetmetal Screws from corners and along the Panel lap.

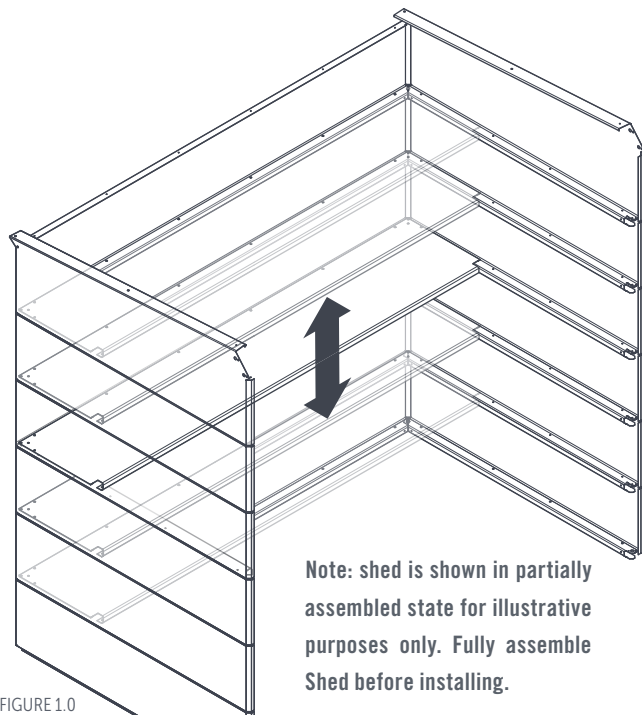


FIGURE 1.0

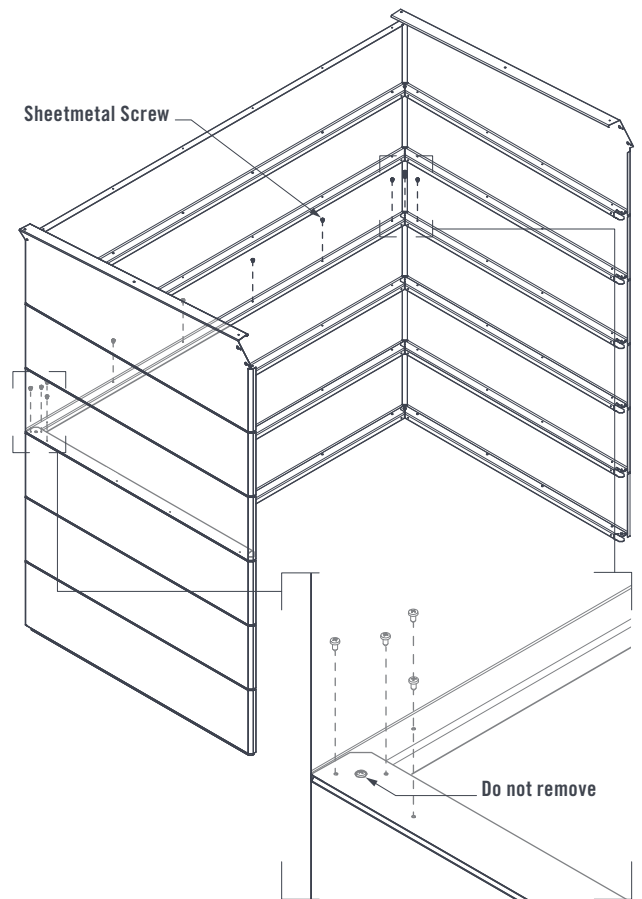


FIGURE 1.1

HANDI-POD® GARDEN SHED SHELF KIT



Install the Shelf at an angle, so that the left side Panel end fits onto the Panel first. Then lower the right side Shelf end onto the Panel.

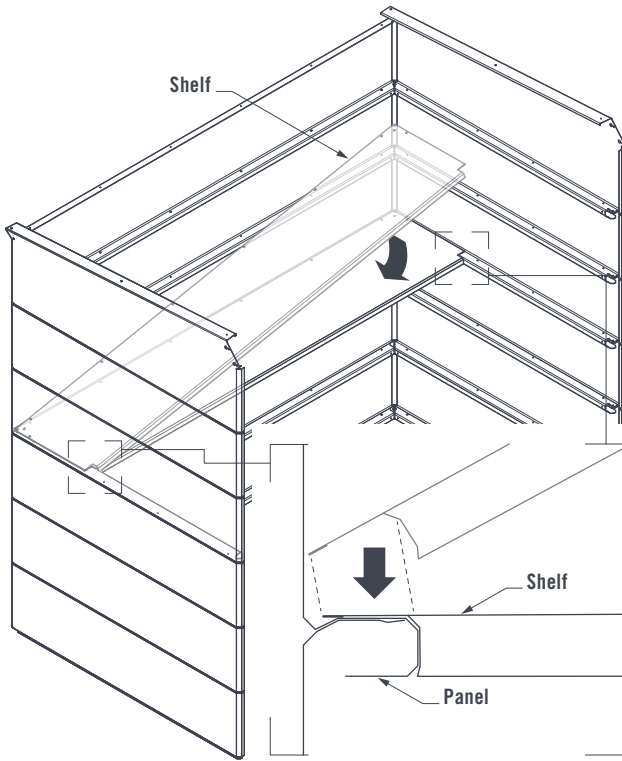


FIGURE 1.2

From the underside of the Shelf, fasten one Hex-Head Self-Drilling Screw through the Shelf and into the Shelf Bracket at both ends.

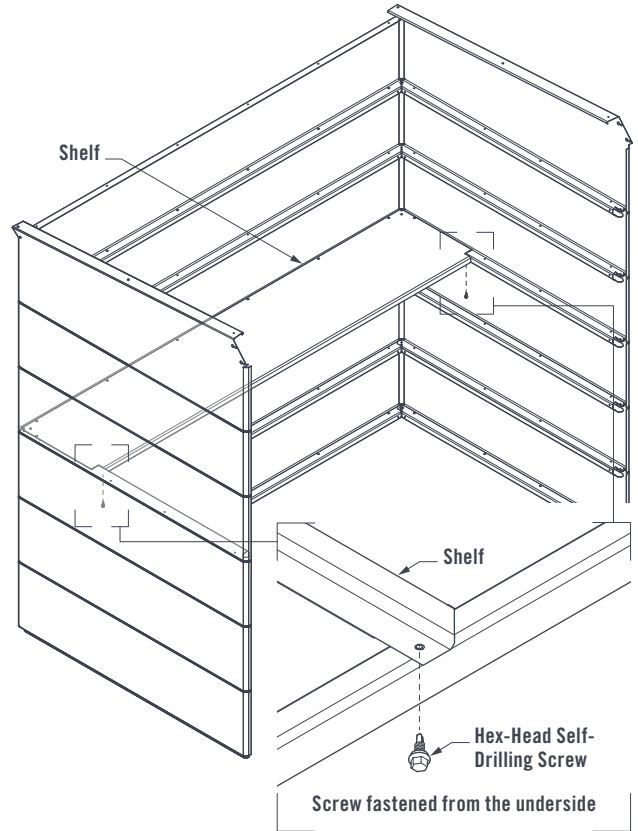


FIGURE 1.4

Fit the Shelf Bracket into the Shelf at both ends.

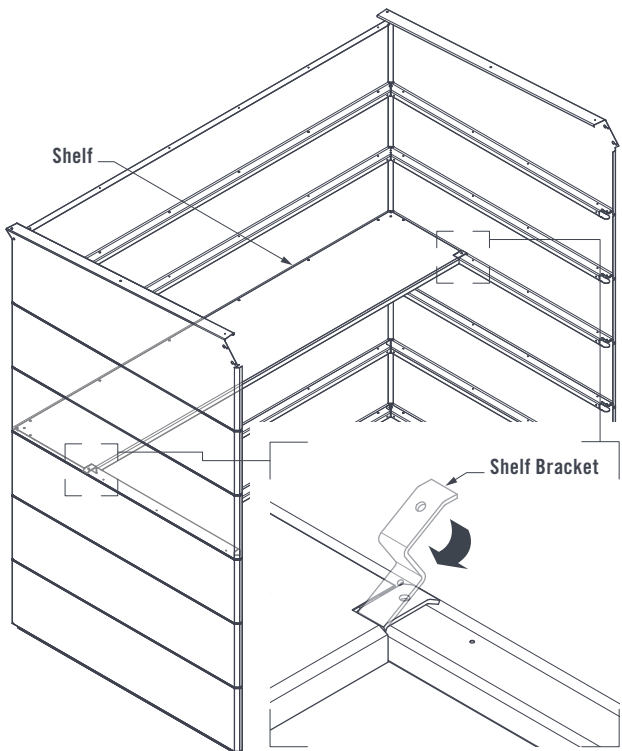


FIGURE 1.3

Re-install the Sheetmetal Screws that were removed in Figure 1.1. Fasten one Self-Drilling Screw through the Shelf Bracket and into the Panel at both ends.

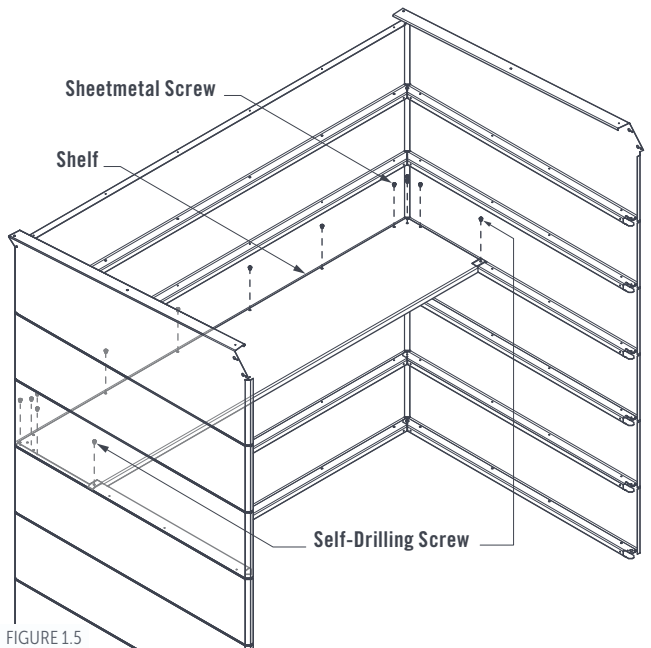
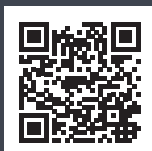


FIGURE 1.5



« SCAN THIS QR CODE TO FIND A STRATCO NEAR YOU

1300 155 155
stratco.com.au

All brands and logos/images accompanied by ® or ™ are trade marks of Stratco (Australia) Pty Limited. © Copyright Jan 2023

How To.

