

BARR FENCING

BARR FENCING



Overview

BARR is a new design sensation providing the much sought after 'floating battens' look.

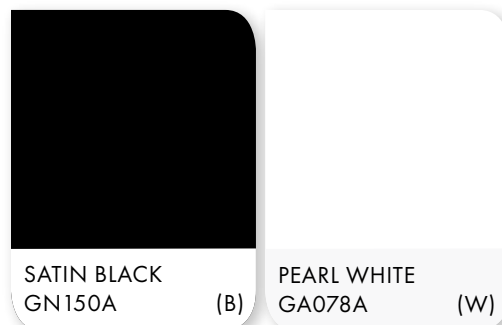
Panels & gates are welded and are made from 50x25mm aluminium extrusion with a sturdy 25x25mm extrusion utilised for top/bottom rails.

BARR's unique style is achieved via the 25x25mm rails passing through precision punched holes in the 50x25mm pickets – NOT face welded.

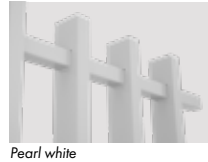
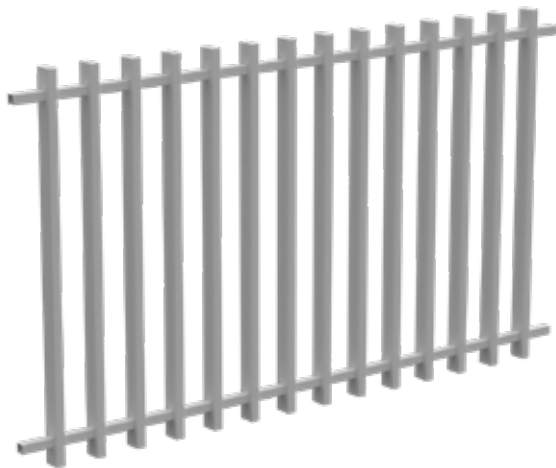
This key design feature results in a panel which is unparalleled in strength and style.

Finishes —

Genuine Akzo Nobel powder coat



BARR FENCING PANELS


TRADE TIP

Allow total bracket gap of 10 to 14mm so a 1733mm wide panel fits a daylight opening of 1743 to 1747mm

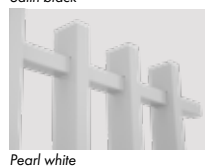
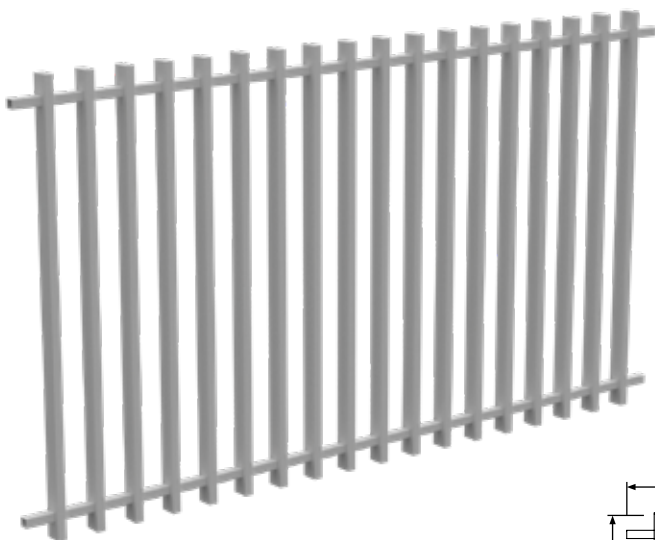
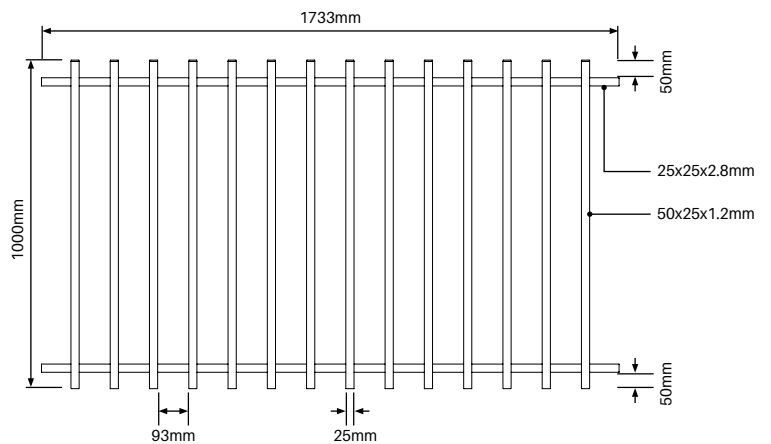
BARR 50 x 25 Panel

1000MM H x 1733MM W

Satin black (GN150A) or **pearl white** (GA078A) finish

Order Code: **SC-3700 (B)** / **SC-3701 (W)**

- 1000mm high panel; aluminium alloy 6063-T6
- 50x25mm pickets/balusters with 25mm front/facing edge
- Cap pre-inserted in the top of each picket
- Sturdy 25x25x2.8mm horizontal top/bottom rails pass through the centre of punched pickets
- Pickets welded to rails
- Panel construction is very strong with rails passing through pickets
- 50x25mm picket provides the sought after seamless 'batten' look
- Being 1000mm high, ideal for garden/perimeter fencing
- Panel easily cut down in width


TRADE TIP

Allow total bracket gap of 10 to 14mm so a 2205mm wide panel fits a daylight opening of 2215 to 2219mm

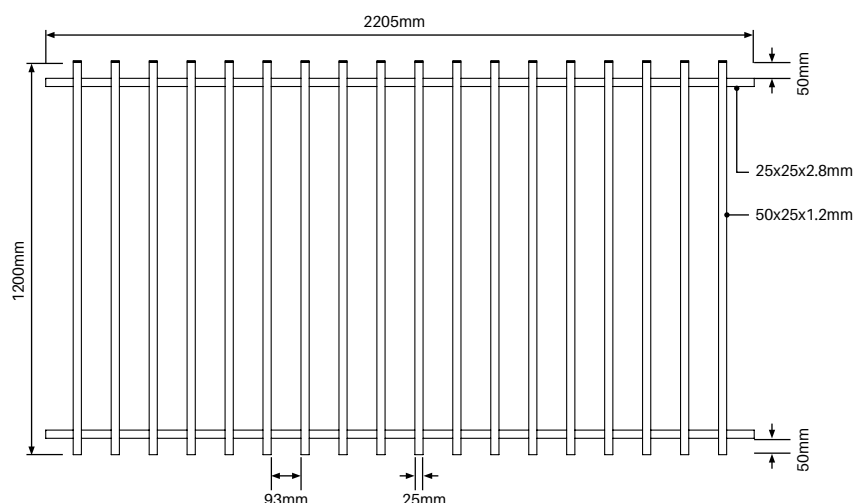
BARR 50 x 25 Panel

1200MM H x 2205MM W

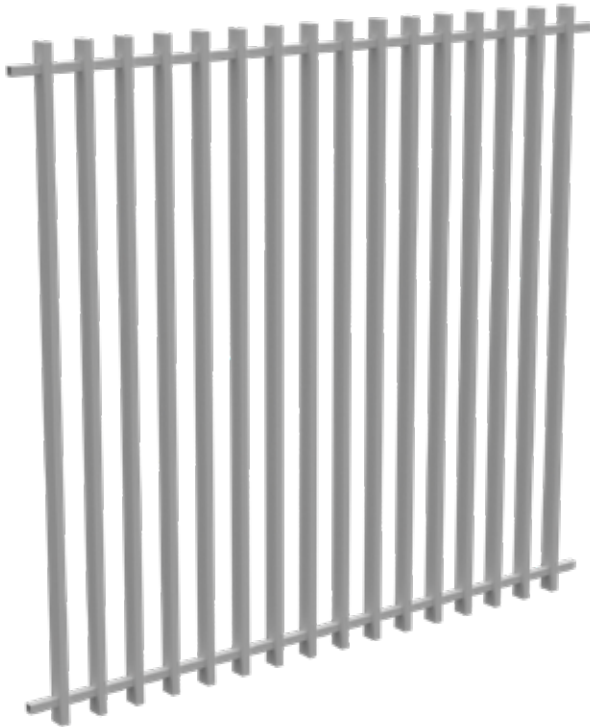
Satin black (GN150A) or **pearl white** (GA078A) finish

Order Code: **SC-3704 (B)** / **SC-3705 (W)**

- Pool fencing compliant to AS 1926.1
- 1200mm high panel; aluminium alloy 6063-T6
- 50x25mm pickets/balusters with 25mm front/facing edge
- Cap pre-inserted in the top of each picket
- Sturdy 25x25x2.8mm horizontal top/bottom rails pass through the centre of punched pickets
- Pickets welded to rails
- Panel construction is very strong with rails passing through pickets
- 50x25mm picket provides the sought after seamless 'batten' look
- Panel easily cut down in width



BARR FENCING PANELS



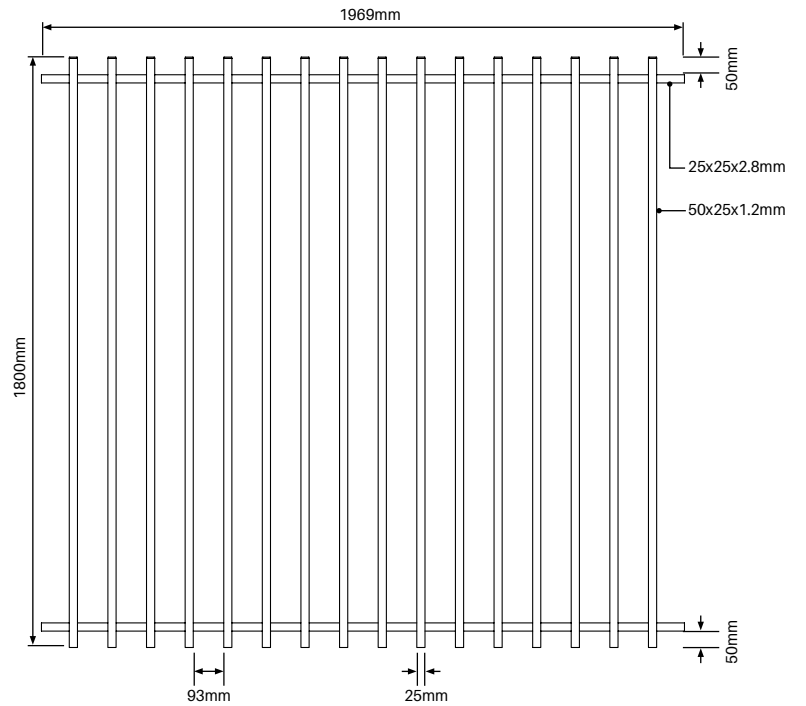
Satin black



Pearl white

TRADE TIP

Allow total bracket gap of 10 to 14mm so a 1969mm wide panel fits a daylight opening of 1979 to 1983mm



BARR 50 x 25 Panel

1800MM H x 1969MM W

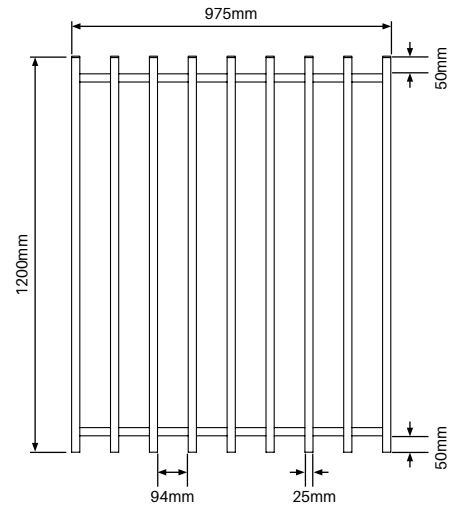
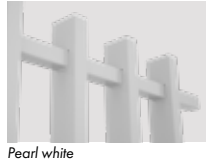
Satin black (GN150A) or pearl white (GA078A) finish

Order Code: SC-3703 (B) / SC-3702 (W)

- Pool fencing compliant to AS 1926.1; also ideal for boundary fencing
- 1800mm high panel; aluminium alloy 6063-T6
- 50x25mm pickets/balusters with 25mm front/facing edge
- Cap pre-inserted in the top of each picket
- Sturdy 25x25x2.8mm horizontal top/bottom rails pass through the centre of punched pickets
- Pickets welded to rails
- Panel construction is very strong with rails passing through pickets
- 50x25mm picket provides the sought after seamless 'batten' look
- Panel easily cut down in width



BARR FENCING GATES



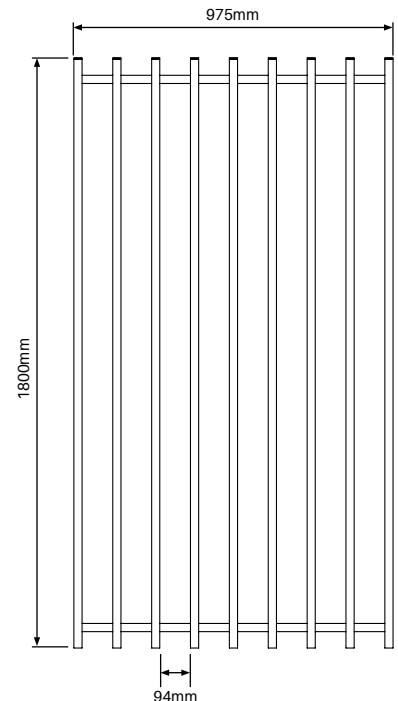
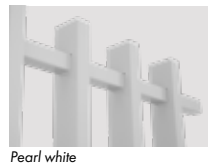
BARR 50 x 25 Gate

1200MM H x 975MM W

Satin black (GN150A) or **pearl white** (GA078A) finish

Order Code: **SC-3725 (B)** / **SC-3726 (W)**

- Pool fencing compliant to AS 1926.1
- 975mm wide x 1200mm high gate
- Aluminium alloy 6063-T6
- Same construction method as panels - horizontal rails pass through 50x25mm punched pickets & welded
- Gate side stiles are also 50x25mm
- To ensure maximum strength, four sided welding of horizontal rails to vertical gate stiles
- Caps pre-inserted into pickets



BARR 50 x 25 Gate

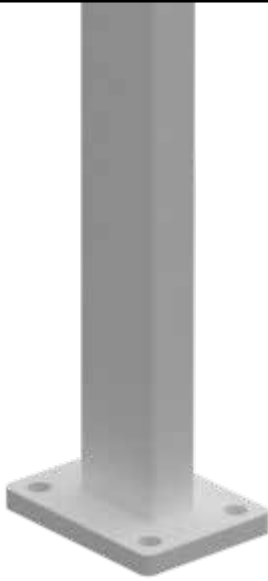
1800MM H x 975MM W

Satin black (GN150A) or **pearl white** (GA078A) finish

Order Code: **SC-3727 (B)** / **SC-3724 (W)**

- Pool fencing compliant to AS 1926.1
- 975mm wide x 1800mm high gate
- Aluminium alloy 6063-T6
- Same construction method as panels - horizontal rails pass through 50x25mm punched pickets & welded
- Gate side stiles are also 50x25mm
- To ensure maximum strength, four sided welding of horizontal rails to gate stiles
- Caps pre-inserted into pickets

BARR FENCING POSTS



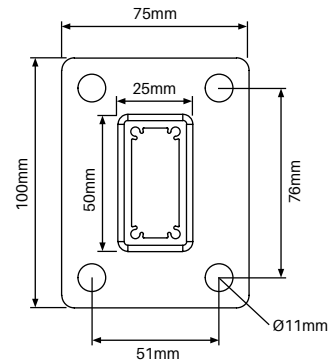
Post with welded base plate

1280mm long

Satin black or pearl white finish

Order Code: SC-3728 (B) / SC-3729 (W)

- 50x25x3mm post with welded 100x75mm base plate
- Base plate is 10mm thick
- Superior rigidity with 3mm wall thickness post
- Top cap pre-inserted
- Aluminium alloy 6063-T6
- 50x25mm post profile matches pickets to give a continuous 'batten' look.
- Traditionally posts are 50x50mm which breaks up the symmetrical batten look.



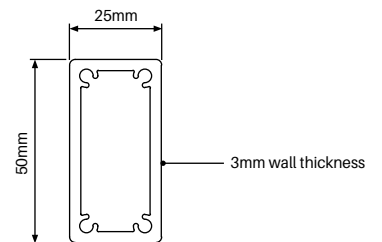
Post

1800mm long

Satin black or pearl white finish

Order Code: SC-3718 (B) / SC-3719 (W)

- 50x25x3mm post at 1800mm long
- Superior rigidity with 3mm wall thickness
- Includes top cap pre-inserted
- Includes 100mm long x 25mm wide anchor at bottom of post for aiding sturdy embedment into concrete
- Aluminium alloy 6063-T6
- 50x25mm post profile matches pickets to give a continuous 'batten' look.
- Traditionally posts are 50x50mm which breaks up the symmetrical batten look.



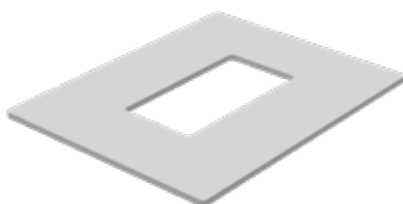
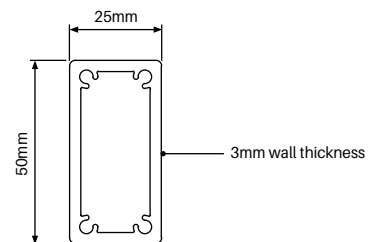
Post

2500mm long

Satin black or pearl white finish

Order Code: SC-3720 (B) / SC-3721 (W)

- 50x25x3mm post at 2500mm long
- Superior rigidity with 3mm wall thickness
- Includes top cap pre-inserted
- Includes 100mm long x 25mm wide anchor at bottom of post for aiding sturdy embedment into concrete
- Aluminium alloy 6063-T6
- 50x25mm post profile matches pickets to give a continuous 'batten' look.
- Traditionally posts are 50x50mm which breaks up the symmetrical batten look.

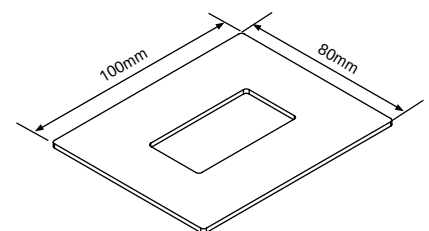


Dress ring

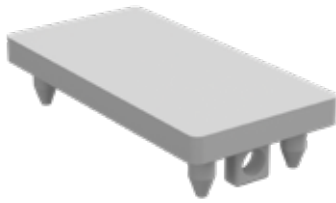
Satin black or pearl white finish

Order Code: SC-3710 (B) / SC-3714 (W)

- 100 x 80mm dress ring
- Suits covering a core hole up to 80mm diameter
- For BARR posts, suggested to use 63mm or 76mm core drill size



BARR FENCING ACCESSORIES



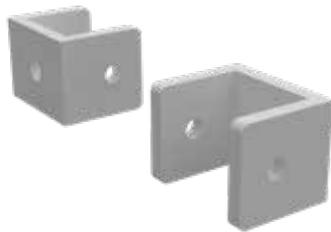
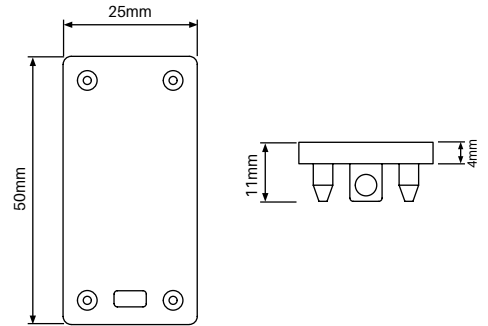
BARR Top Cap

50 x 25 x 4MM

Satin black or pearl white finish

Order Code: SC-3715 (B) / SC-3716 (W)

- Optional extra 4mm thick aluminium powder coated top cap
- Presses into screw flutes in 50x25mm pickets and/or posts
- Panels and posts come with nylon caps preinserted. Option to remove and replace with aluminium caps
- Made from solid aluminium and CNC machined (not die cast aluminium)



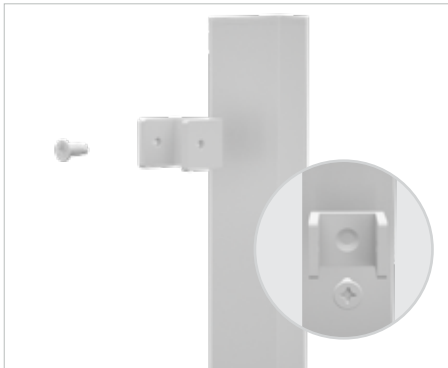
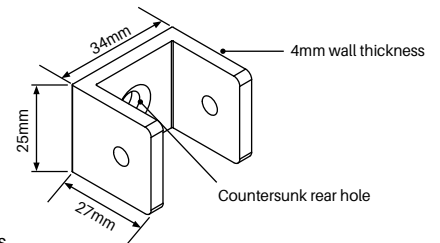
BARR 'C' Bracket Kit

4 PACK

Satin black or pearl white finish

Order Code: SC-3706 (B) / SC-3707 (W)

- Slimline "C" bracket for neat fixing of panels to posts/wall
- Made from extruded aluminium
- A stylish solution versus traditional full shrouds
- Sold as a pack of 4 x "C" brackets with matching screws
- Screws supplied for each bracket include 1 x countersunk SS304 screw for fixing to aluminium posts & 2 x panhead SS304 square drive screws for fixing the panels to the rails



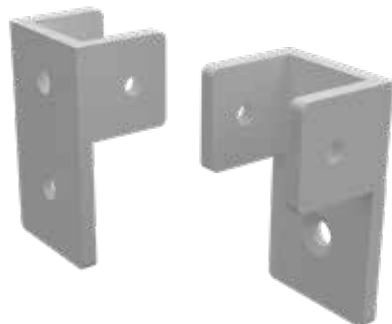
- 1** Fix C bracket to post/wall using countersunk fixing. Fixing is hidden and is flush with back of bracket.



- 2** Insert panel into C bracket opening and pilot hole drill horizontal rails on both sides.



- 3** Fix off both sides with panhead screws. Screw heads are colour matched.



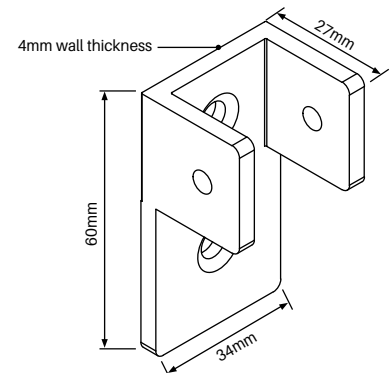
BARR Extended 'C' Bracket Kit

4 PACK

Satin black or pearl white finish

Order Code: SC-3708 (B) / SC-3709 (W)

- EXTENDED "C" bracket for neat fixing of panels to posts/wall
- Made from extruded aluminium
- Sold as a pack of 4 x EXTENDED "C" brackets with matching screws
- Features a longer back leg allowing 2 x fixings to post/wall for extra strength if needed
- Screws supplied for each bracket include 2 x countersunk SS304 screw for fixing to aluminium posts & 2 x panhead SS304 square drive screws for fixing the panels with the rails



BARR FENCING GATE CONVERTERS



BARR gate converter

1000/1200/1800mm high
Satin black or pearl white finish

Order Code: SC-3717 (B)

SC-3722 (W)

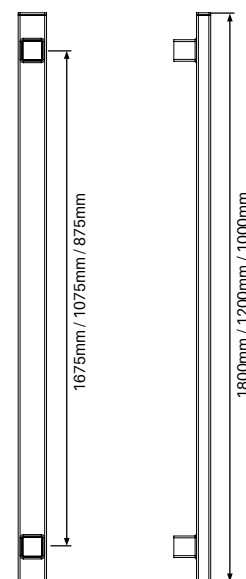
SC-3723 (B)

SC-3711 (W)

SC-3712 (B)

SC-3713 (W)

- Easily convert standard BARR panels into pedestrian gates
- Available to suit 1000, 1200 & 1800mm high panels
- Simply adjust panel to required width, place converters both sides and fix off
- Bolt/nuts are included and are colour matched
- Gate converter stiles are 50x25mm profile to match standard pickets
- Top caps included
- Sold as a pair (for left & right side of gate)



1 Cut panel to required width.
NOTE: ensure minimum of 42mm of horizontal rail remains both sides past pickets for attaching of converters



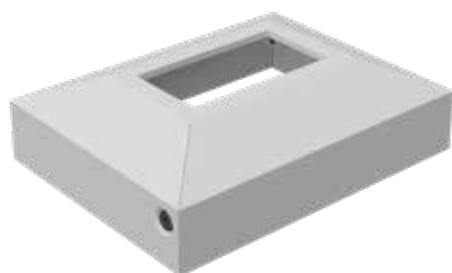
2 Insert panel ends into converter and drill through guide holes.



3 Fix off converters both sides with nut/bolts provided.



4 Completed gate.

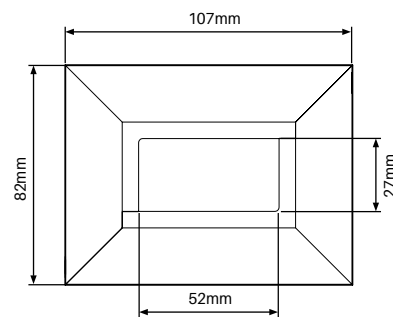


BARR 2 part domical cover

POWDER COATED ALUMINIUM
Satin black or pearl white finish

Order Code: SC-3856 (B) / SC-3857 (W)

- Suits BARR base plated posts
- 107 x 72mm outer; 52 x 27mm inner
- 30mm high
- Features epoxy primer base coat prior to power coating for enhanced durability
- Innovative 2 part design allows for fitting after post/fence installation



Driver bit

Order Code: SC-2655

- Driver bit to suit Phillips #3 screw head



Square head driver bit

Order Code: SC-2656

- Driver bit to suit 3.4mm square screw head hole
- Suits panhead screws used with "C" brackets



Touch Up Paint

150g SPRAY CAN

Black or white finish

Order Code: SC-1420 (B)

SC-1423 (W)

- Colour match touch up paint



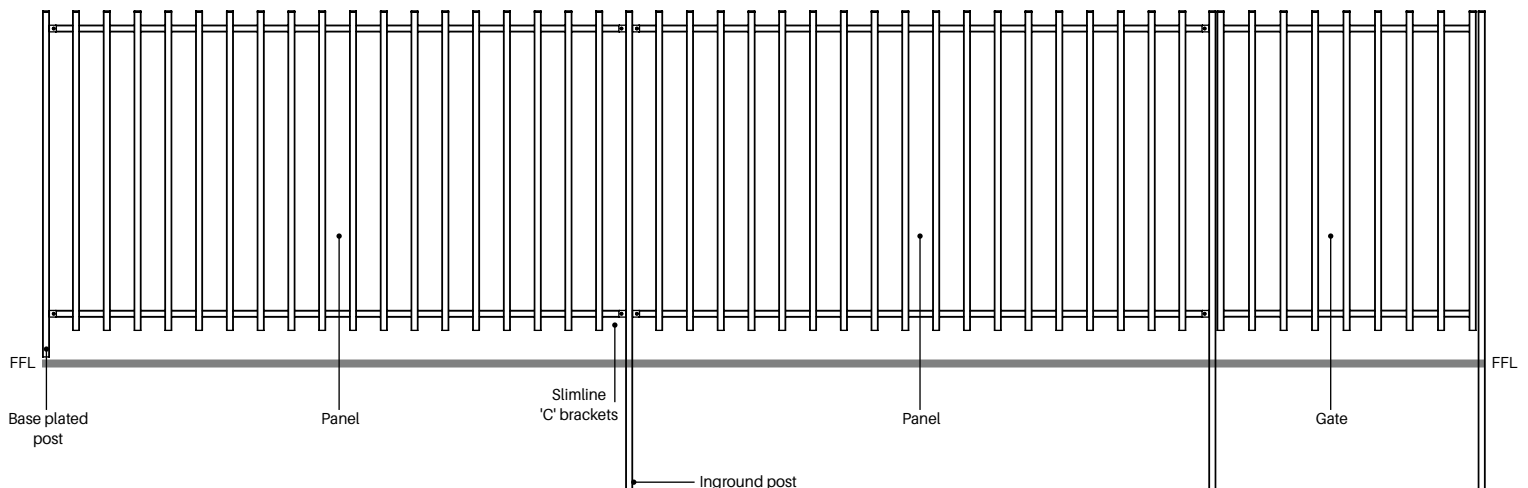
ORDER CODES

Order Code	Description	Colours
SC-3700 (B) / SC-3701 (W)	BARR 50 x 25 Panel – 1000mm H x 1733mm W	
SC-3704 (B) / SC-3705 (W)	BARR 50 x 25 Panel – 1200mm H x 2205mm W	
SC-3703 (B) / SC-3702 (W)	BARR 50 x 25 Panel – 1800mm H x 1969mm W	
SC-3725 (B) / SC-3726 (W)	BARR 50 x 25 Gate – 1200mm H x 975mm W	
SC-3727 (B) / SC-3724 (W)	BARR 50 x 25 Gate – 1800mm H x 975mm W	
SC-3728 (B) / SC-3729 (W)	Post with welded base plate – 1280mm long	
SC-3718 (B) / SC-3719 (W)	Post – 1800mm long	
SC-3720 (B) / SC-3721 (W)	Post – 2500mm long	
SC-3710 (B) / SC-3714 (W)	Dress ring	
SC-3715 (B) / SC-3716 (W)	BARR Aluminium Top Cap	
SC-3706 (B) / SC-3707 (W)	BARR 'C' Bracket Kit	
SC-3708 (B) / SC-3709 (W)	BARR Extended 'C' Bracket Kit	
SC-3717 (B) / SC-3722 (W)	BARR Gate Converter – 1000mm high	
SC-3723 (B) / SC-3711 (W)	BARR Gate Converter – 1200mm high	
SC-3712 (B) / SC-3713 (W)	BARR Gate Converter – 1800mm high	
SC-3856 (B) / SC-3857 (W)	BARR 2 Part Domical Cover	



ASSEMBLY OVERVIEW OF BARR SYSTEM

SEAMLESS INTEGRATION OF PANELS & POSTS WITH MATCHING 50x25MM PROFILES



Errors and omissions excepted. Measurements and drawings are provided as a guide only and should not be relied upon solely for installation purposes.

Product codes, products and prices may change at GO's discretion as systems are constantly reviewed and updated. Please contact GO if you require clarification of product codes, pricing or product stocking.

Due to each installation situation being different, it is the installer's responsibility to seek engineering compliance and/or certification should it be required as part of a project, regulatory or statutory requirement.

As each installation site is different, it is the installer's responsibility to consider the impact of wind loads on the design of a fence. Please consult your engineer for site specific matters relating to wind loads.

Colours displayed in PDF's or printed documents are indicative only and should not be relied on as a true representation of actual powder coat colour. All products should adhere to a suitable care and maintenance schedule.

©Copyright 2023. This catalogue is the copyright of GO and cannot be reproduced, copied or replicated without the prior written consent of GO. Such consent applies to images as well as text.

GO BARR Fencing V1